



FRIGIDAIRE

Factory Parts Catalog

Product No.	FRBE1925AW
Base model	FRBE1925A
Color	white
Owner's Guide	A30598301
Market	North America
Optional Ice Maker	IMKT2026

Frigidaire

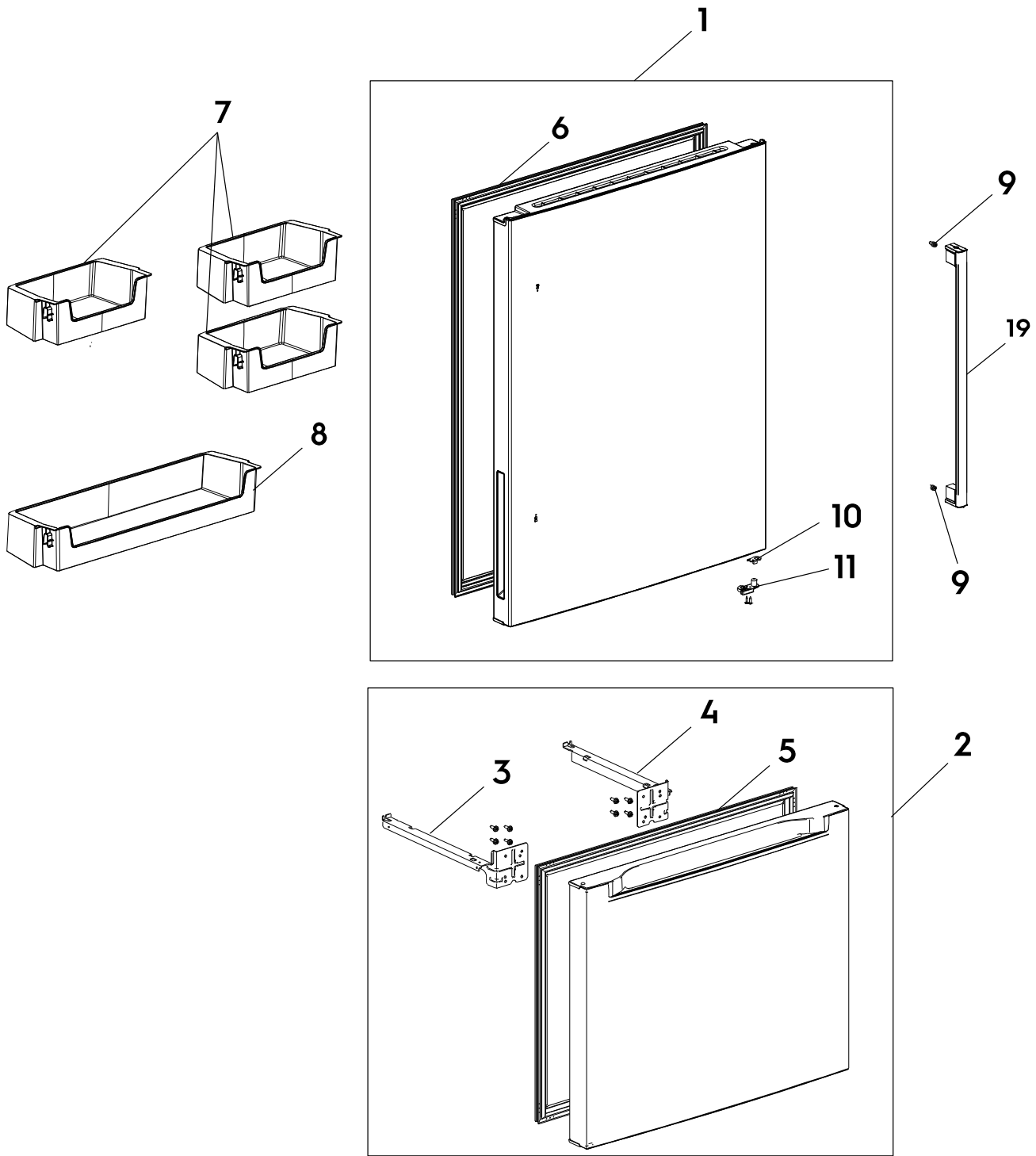
P.O. BOX 8020
CHARLOTTE, NC 28262

Publication No.
5995750550
26/05/12
(EN/SERVICE/)
390

TOP-MOUNT REFRIGERATOR

Model No.
FRBE1925A

DOOR

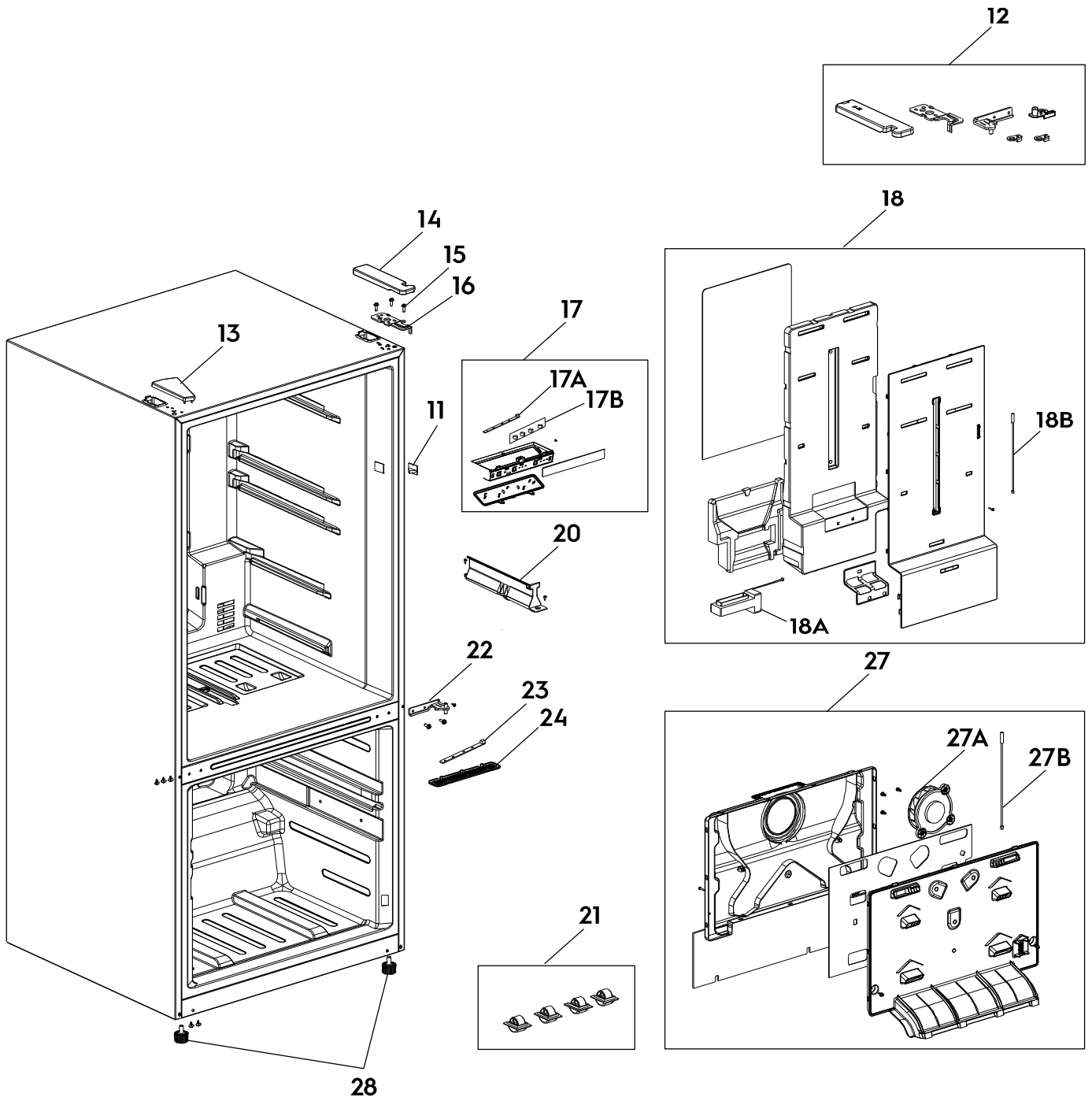


DRFRBE1925AW

DOOR

POS. NO	PART NO.	DESCRIPTION
1	4056042155	Door assembly complete, refrigerator, white
2	4056042163	Door assembly complete, freezer, white
3	4056039300	Slide Rail, left support, freezer door
4	4056039318	Slide Rail, right support, freezer door
5	4056039862	Gasket, freezer door
6	4056039847	Gasket, refrigerator, door
7	4056039722	Bin, door shelf, small
8	4056039730	Bin, door shelf, large
9	4056042189	Handle bolt, upper & lower
10	5304523542	Stop, door, middle hinge
11	5304523512	Closer, door, hinge
19	4056039912	Handle, refrigerator, door
*	4056058532	Handle screw kit

CABINET

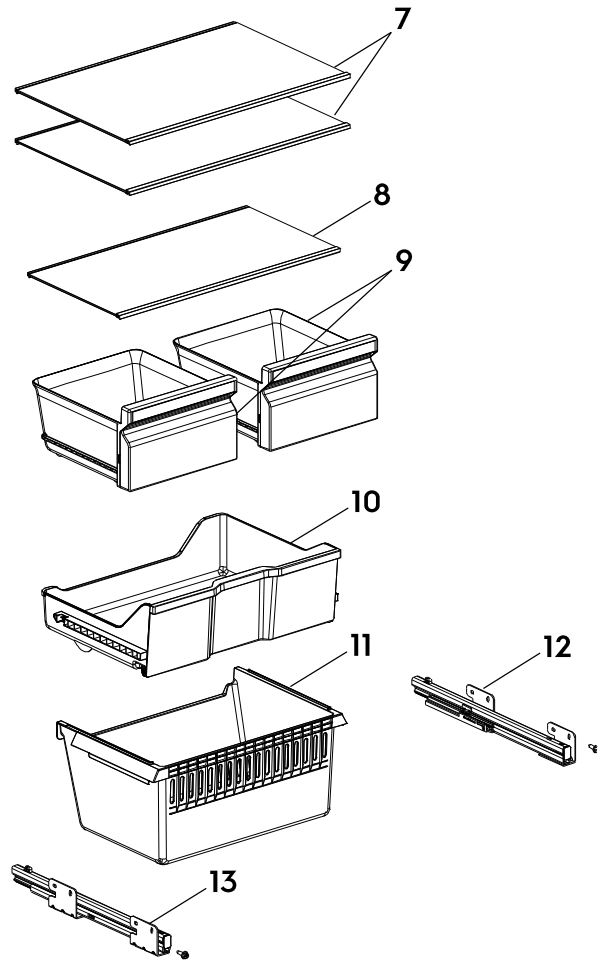
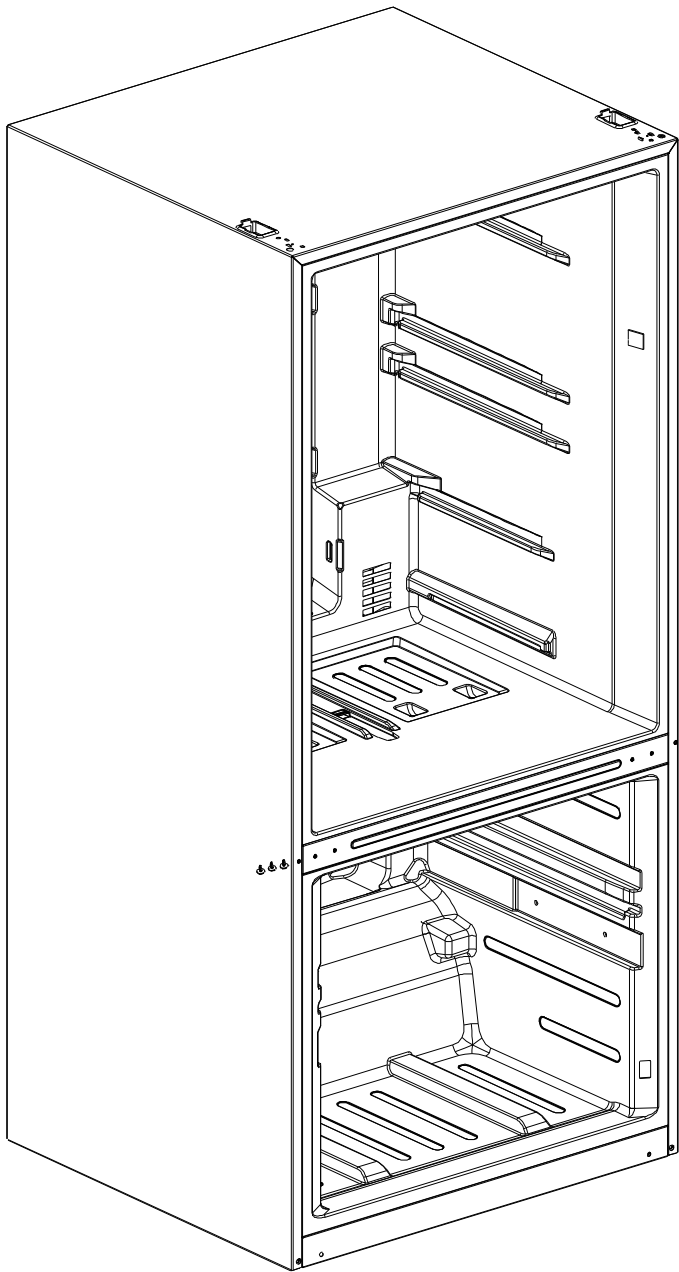


CAFRBE1925AW

CABINET

POS. NO	PART NO.	DESCRIPTION
11 #	5304498687	Switch, lamp/light
12	4056039904	Door reversal parts, kit
13	5304523533	Cover, hinge holes, white model, upper
14	5304523517	Cover, hinge, white model, upper
15	5304480019	Screw, tapping-locking
16	4056039763	Hinge Assembly, upper right
17 #	4056039433	Lamp Assembly, mounting box
17A#	5304536962	Light Bulb, lamp
17B#	4056042171	Control and Display Board
18 #	4056039441	Cover Assembly, Air chamber, refrigerator
18A#	4056039458	Damper Assembly, electric
18B#	5304513784	Sensor, temperature
20	4056039482	Base Panel
21	4056039490	Support components
22	4056039581	Hinge Assembly, middle section
23 #	4055974531	Led Lamp
24	4056039508	Lamp Cover, freezer
27#	4056039466	Cover Assembly, air chamber, freezer
27A	4056039474	Motor, air chamber, freezer fan
27B#	5304536967	Thermostat, temperature
28	5304490980	Leveling Foot, adjustable

SHELVES

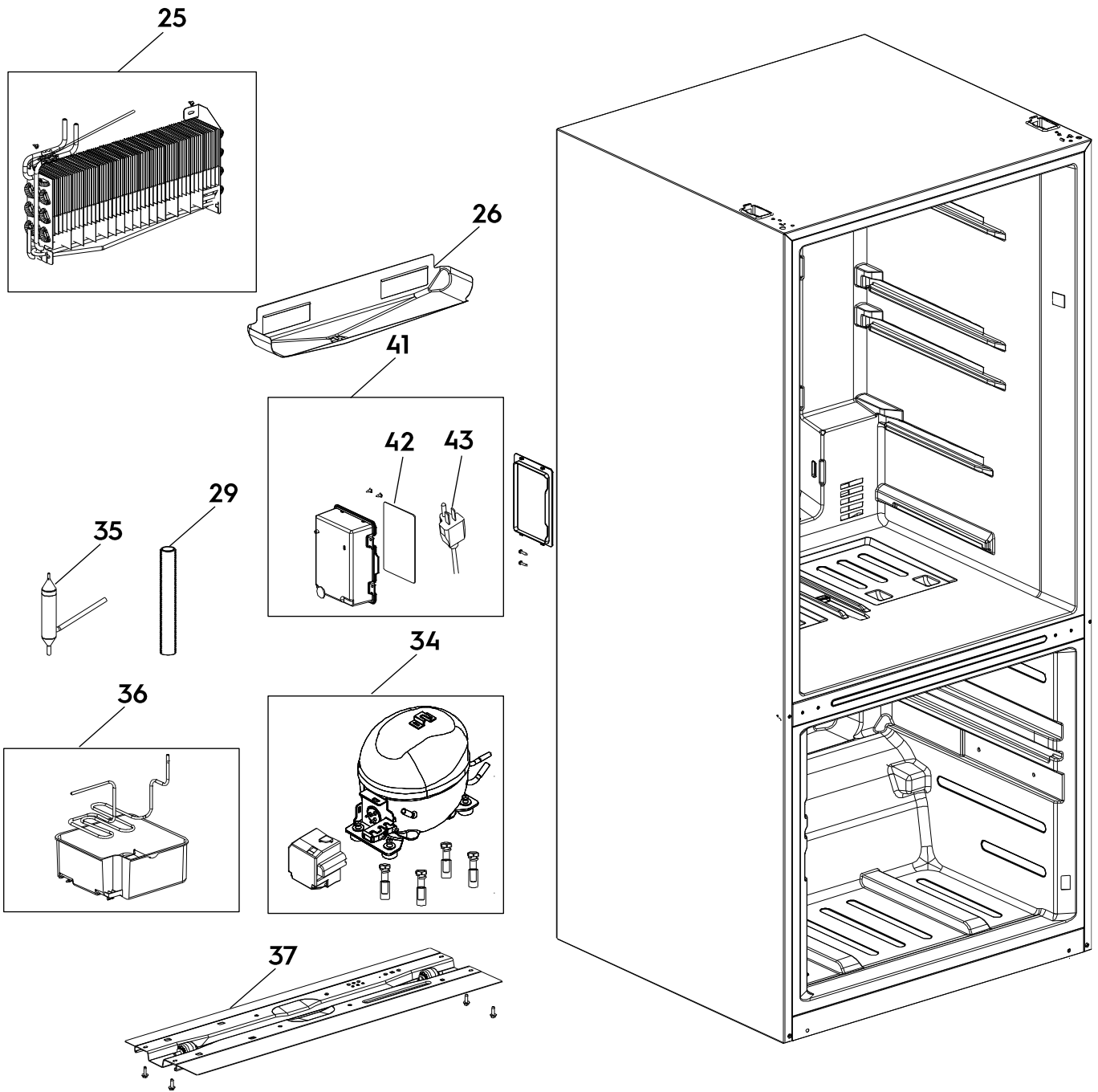


SHFRBE1925AW

SHELVES

POS. NO	PART NO.	DESCRIPTION
7	4056039367	Glass shelf assembly, upper, refrigerator
8	4056039375	Glass shelf assembly, lower, refrigerator
9	4056039383	Drawer Assembly, vegetable box, left-right
10	4056039391	Drawer Assembly, upper, freezer
11	4056039425	Drawer assembly, lower, freezer
12	4056039409	Slide Rail, support right, freezer drawer
13	4056039417	Slide Rail, support left, freezer drawer

SYSTEM



SYFRBE1925AW

SYSTEM

POS. NO	PART NO.	DESCRIPTION
25 #	4056039516	Evaporator Assembly, w/defrost heater
26	4056039532	Evaporator tray, drain
29	5304536985	Tube, drain
34 #	4056039623	Compressor Assembly, w/inverter
35	4056039631	Filter drier
36	4056039649	Drain assembly, w/connector pip
37	4056039664	Base Assembly, compressor, plate
41 #	4056039805	Main Electronic Board, assembly, w/housing & power cord
42 #	4056044110	Configured electronic, power board
43 #	5304536983	Power Cord