



# FRIGIDAIRE

## Factory Parts Catalog

<b>Product No.</b>	<b>FRBE1925AF</b>
<b>Base model</b>	FRBE1925A
<b>Color</b>	stainless steel
<b>Owner's Guide</b>	A30598301
<b>Market</b>	North America
<b>Optional Ice Maker</b>	IMKT2026

### **Frigidaire**

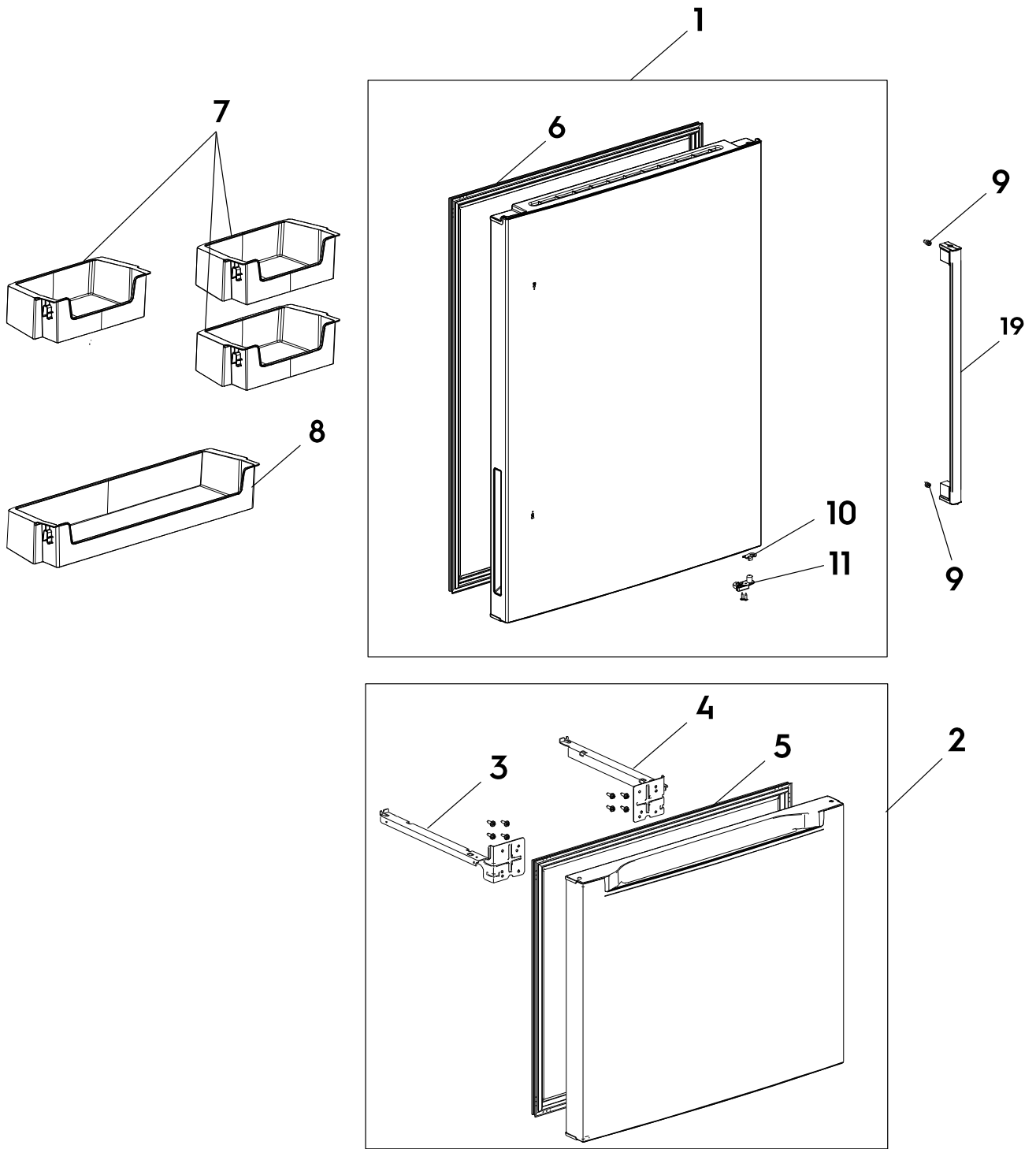
P.O. BOX 8020  
CHARLOTTE, NC 28262

Publication No.  
**5995750543**  
26/05/12  
(EN/SERVICE/)  
390

### **TOP-MOUNT REFRIGERATOR**

Model No.  
FRBE1925A

DOOR



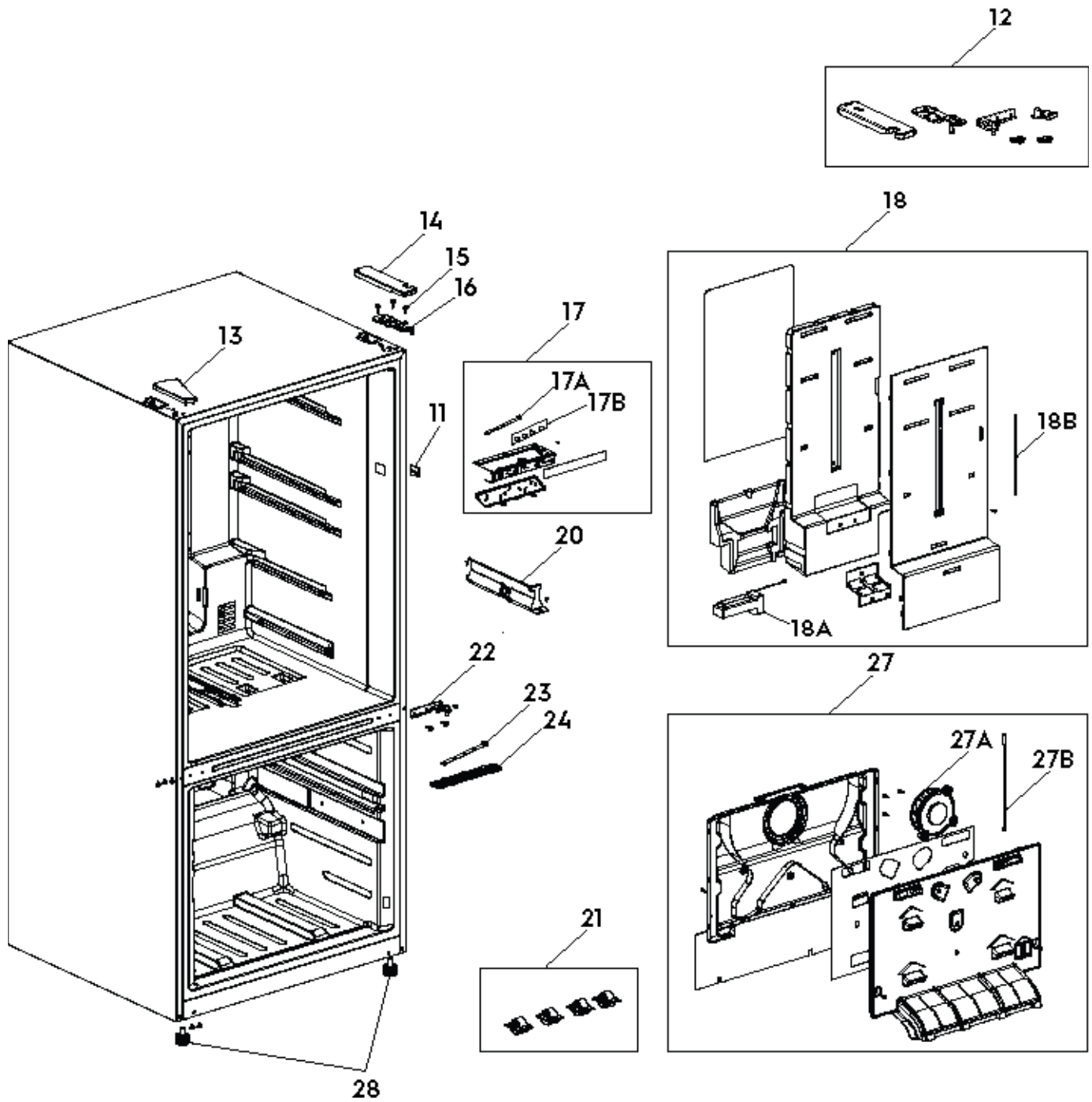
DRFRBE1925AF

**DOOR**

---

<b>POS. NO</b>	<b>PART NO.</b>	<b>DESCRIPTION</b>
1	4056042197	Door assembly complete, refrigerator, stainless
2	4056039292	Door assembly complete, freezer, stainless
3	4056039300	Slide Rail, left support, freezer door
4	4056039318	Slide Rail, right support, freezer door
5	4056039326	Gasket, freezer door
6	4056039706	Gasket, refrigerator, door
7	4056039722	Bin, door shelf, small
8	4056039730	Bin, door shelf, large
9	4056042189	Handle bolt, upper & lower
10	5304523542	Stop, door, middle hinge
11	5304523512	Closer, door, hinge
19	4056039672	Handle door, stainless
*	4056058532	Handle screw kit

CABINET

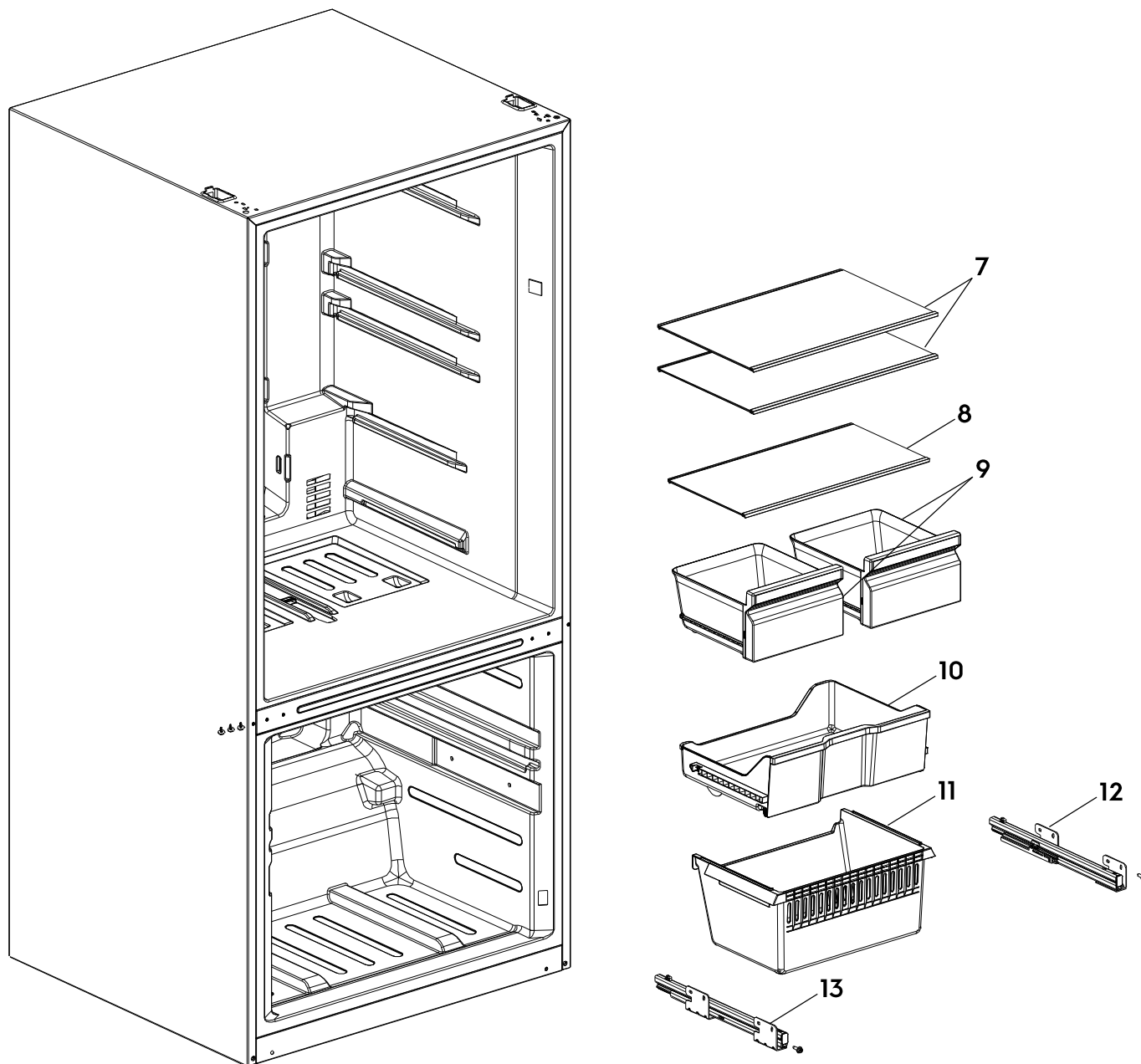


CAFRBE1925AF

**CABINET**

<b>POS. NO</b>	<b>PART NO.</b>	<b>DESCRIPTION</b>
11 #	5304498687	Switch, lamp/light
12	4056039813	Door reversal parts, kit
13	4055973897	Cover hinge, upper, left
14	4056039755	Cover hinge, upper, right
15	5304480019	Screw, tapping-locking
16	4056039763	Hinge Assembly, upper right
17 #	4056039433	Lamp Assembly, mounting box
17A#	5304536962	Light Bulb, lamp
17B#	4056042171	Control and Display Board
18 #	4056039441	Cover Assembly, Air chamber, refrigerator
18A#	4056039458	Damper Assembly, electric
18B#	5304513784	Sensor, temperature
20	4056039482	Base Panel
21	4056039490	Support components
22	4056039581	Hinge Assembly, middle section
23 #	4055974531	Led Lamp
24	4056039508	Lamp Cover, freezer
27#	4056039466	Cover Assembly, air chamber, freezer
27A	4056039474	Motor, air chamber, freezer fan
27B#	5304536967	Thermostat, temperature
28	5304490980	Leveling Foot, adjustable

### SHELVES



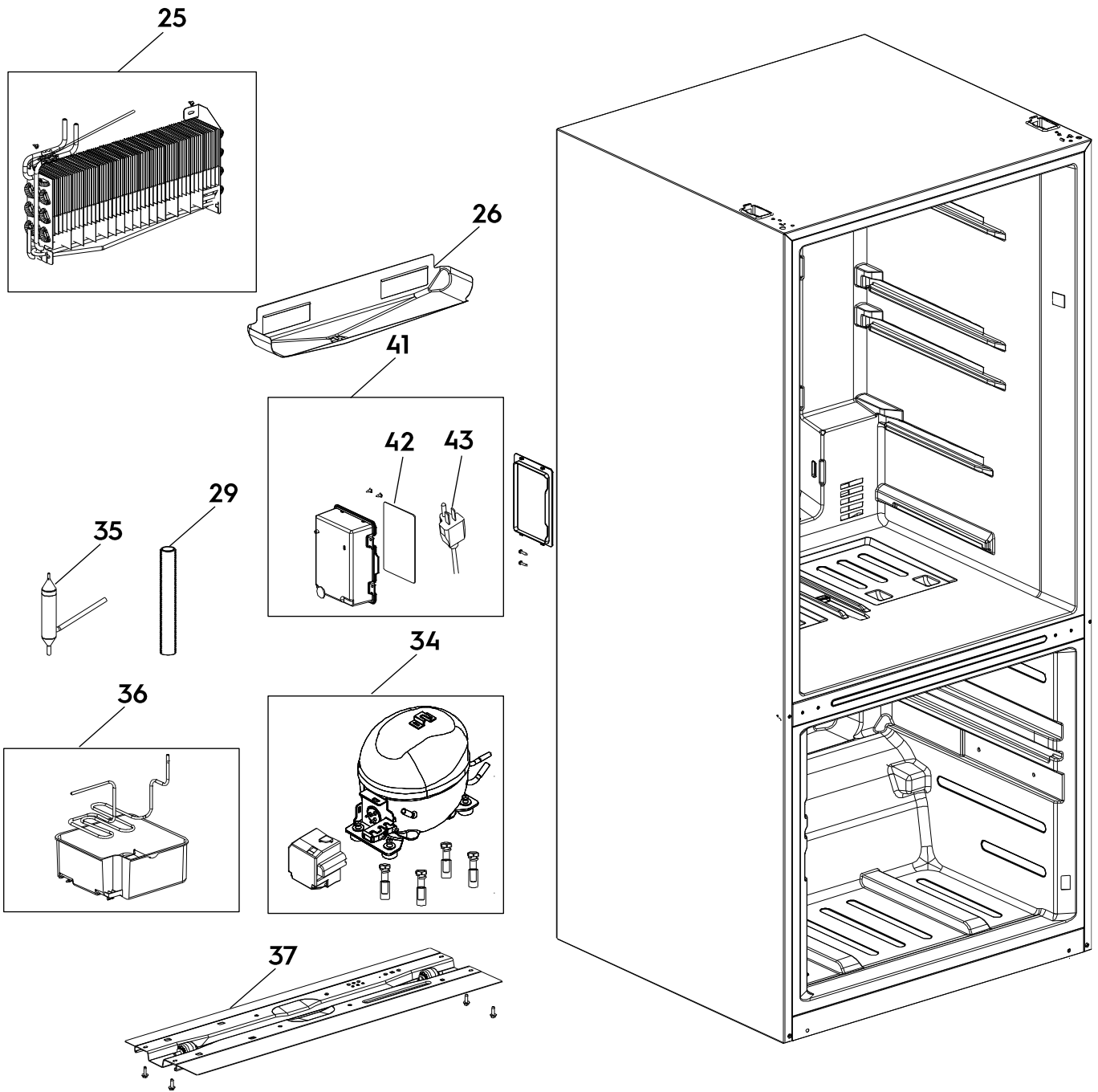
**SHFRBE1925AF**

**SHELVES**

---

<b>POS. NO</b>	<b>PART NO.</b>	<b>DESCRIPTION</b>
7	4056039367	Glass shelf assembly, upper, refrigerator
8	4056039375	Glass shelf assembly, lower, refrigerator
9	4056039383	Drawer Assembly, vegetable box, left-right
10	4056039391	Drawer Assembly, upper, freezer
11	4056039425	Drawer assembly, lower, freezer
12	4056039409	Slide Rail, support right, freezer drawer
13	4056039417	Slide Rail, support left, freezer drawer

**SYSTEM**



**SYFRBE1925AF**

**SYSTEM**

---

<b>POS. NO</b>	<b>PART NO.</b>	<b>DESCRIPTION</b>
25 #	4056039516	Evaporator Assembly, w/defrost heater
26	4056039532	Evaporator tray, drain
29	5304536985	Tube, drain
34 #	4056039623	Compressor Assembly, w/inverter
35	4056039631	Filter drier
36	4056039649	Drain assembly, w/connector pip
37	4056039664	Base Assembly, compressor, plate
41 #	4056039805	Main Electronic Board, assembly, w/housing & power cord
42 #	4056044110	Configured electronic, power board
43 #	5304536983	Power Cord