

SERVICE DATA SHEET

PERFORMANCE

NO LOAD&NO DOOR OPENINGS AT MID-POINT CONTROL SETTING

Capacitor Run or Induction Run	64°F(17.7°C)Ambient	90°F(32.2°C)Ambient
Operating	30 to 50%	50 to 70%
Freezer Temperature	-21°C to -16°C (-5.8°F to 3.2°F)	-21°C to -16°C (-5.8°F to 3.2°F)
Low Side Pressure(cut- in)	8 to 16 psig (55 to 110kPa)	8 to 16 psig (55 to 110kPa)
Low Side Pressure(cut- out)	1 to 4psig (7 to 28kPa)	1 to 4psig (7 to 28kPa)
High Side Pressure(last 1/3 cycle)	110 to 120psig (758 to 827kPa)	110 to 120psig (758 to 827kPa)
Wattage(last 1/3 cycle)	60 to 90W	60 to 90W
Amps(running)	1.0 to 2.0A	1.0 to 2.0A
Base Voltage	115vac (127vacmax)	115vac (127vacmax)
Cabinet Size	W21.26"xD19.88"xH54.82"	W21.26"xD19.88"xH54.82"
Refrigerant Charge	2.40OZ (68 Grams)	2.40OZ (68 Grams)
Defrost Cut- out	/	/

IMPORTANT SAFETY NOTE

The information provided herein is designed to assist qualified repair personnel only. Untrained persons should not attempt to make repairs due to the possibility of electrical shock. Disconnect power cord before servicing this appliance.

IMPORTANT

If any green grounding wires are removed during servicing, they must be returned to their original position and properly secured.

CAUTION

All electrical parts and wiring must be shielded from torch flame. DO NOT allow torch to touch insulation; it will char at 200° F and flash ignite (burn) at 500° F. Excessive heat will distort the plastic liner.

IMPORTANT

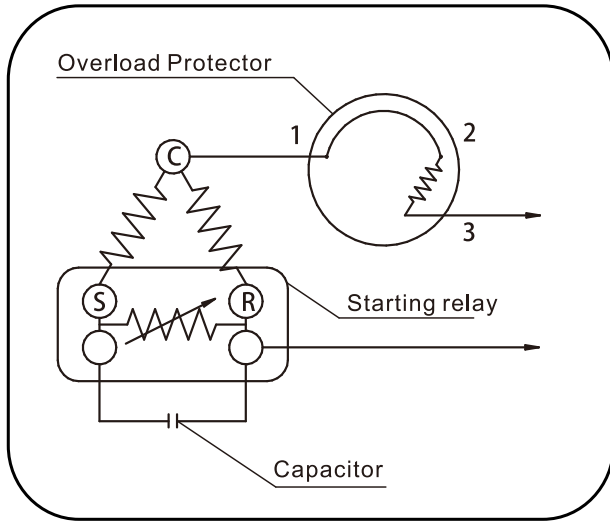
PLEASE RETURN THIS SHEET TO ITS ORIGINAL LOCATION.

MODEL

FFUE0726AW

Upright Freezer
- Manual Defrost

COMPRESSOR WIRING



TG1112HY

WIRING DIAGRAM

