



FRIGIDAIRE

Factory Parts Catalog

Product No.	FFCL2062AW
Base model	FFCL2062A
Color	white
Owner's Guide	A31283301
Market	North America

Frigidaire

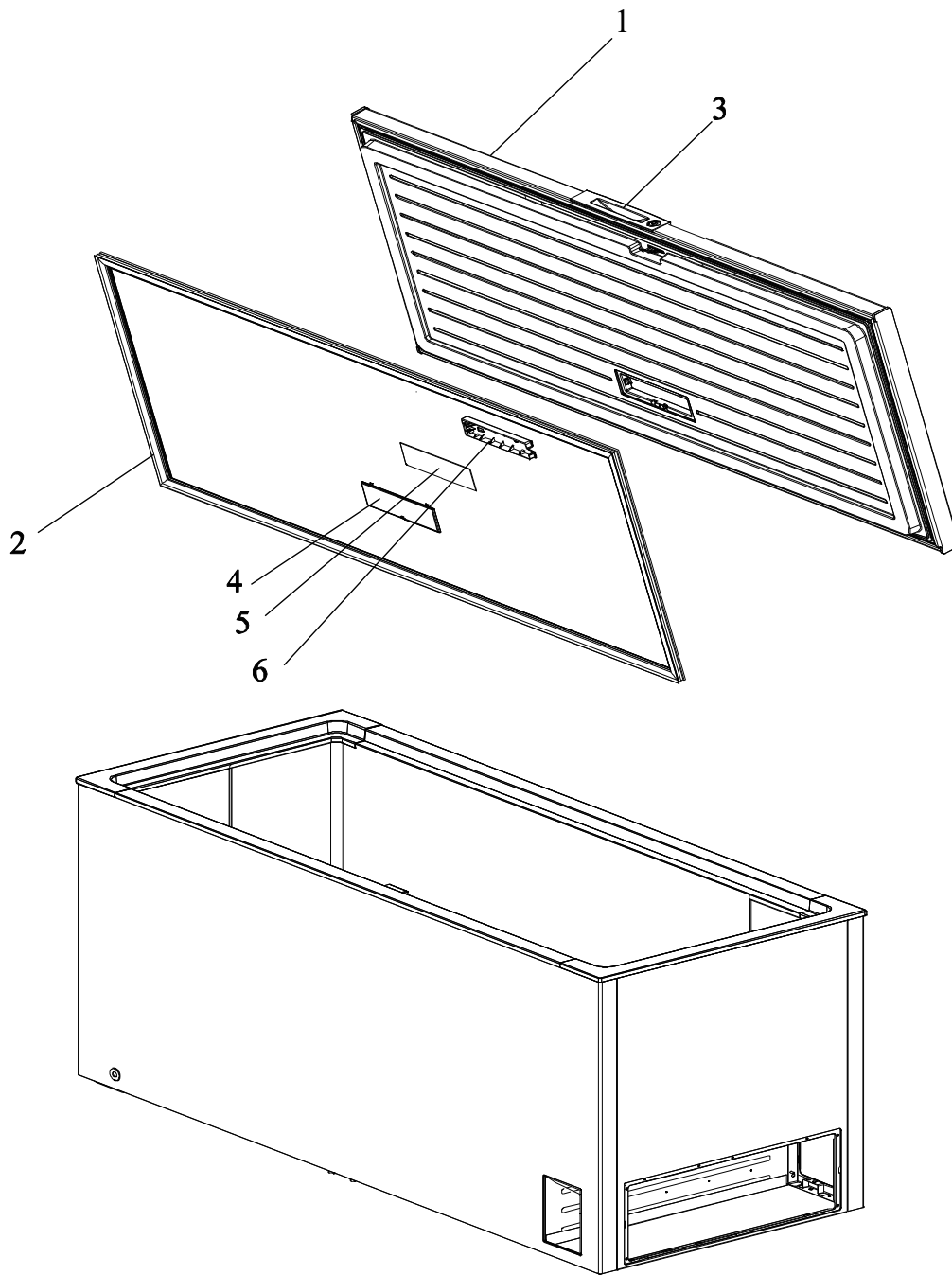
P.O. BOX 8020
CHARLOTTE, NC 28262

Publication No.
5995750568
26/05/13
(EN/SERVICE/)
365

FREEZER CHEST

Model No.
FFCL2062A

DOOR

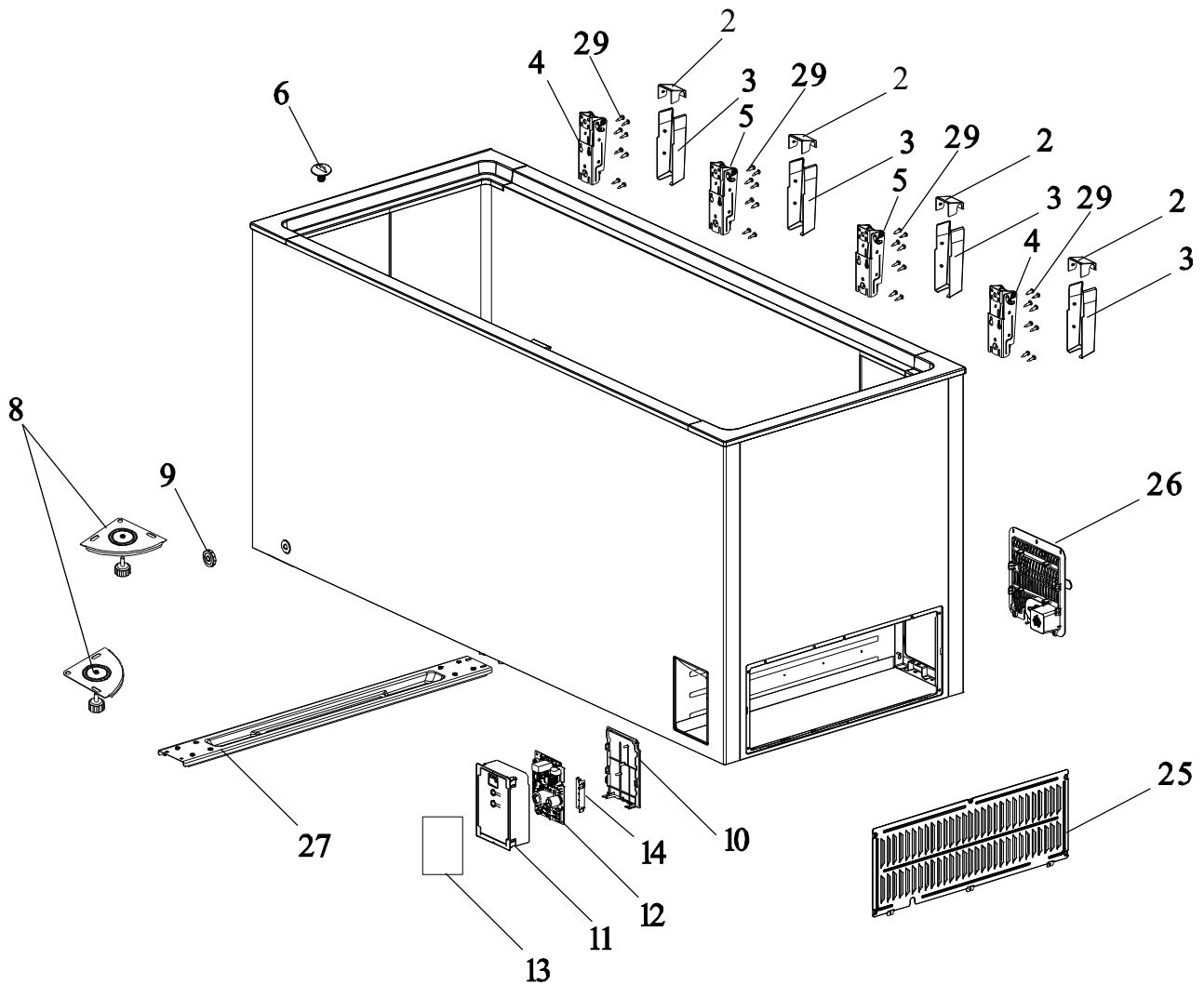
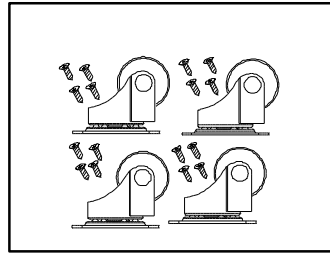
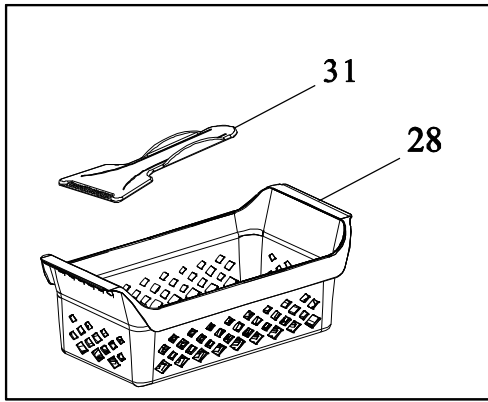


DFFCL2062AW

DOOR

POS. NO	PART NO.	DESCRIPTION
1	4056052485	Door assembly complete, freezer, white
2	4056051842	Gasket, freezer door
3	4056051644	Door handle, grip
4	5304512555	Lens, LED light
5 #	5304512554	Board, LED light
6	4056051651	Mounting Plate, lamp

CABINET

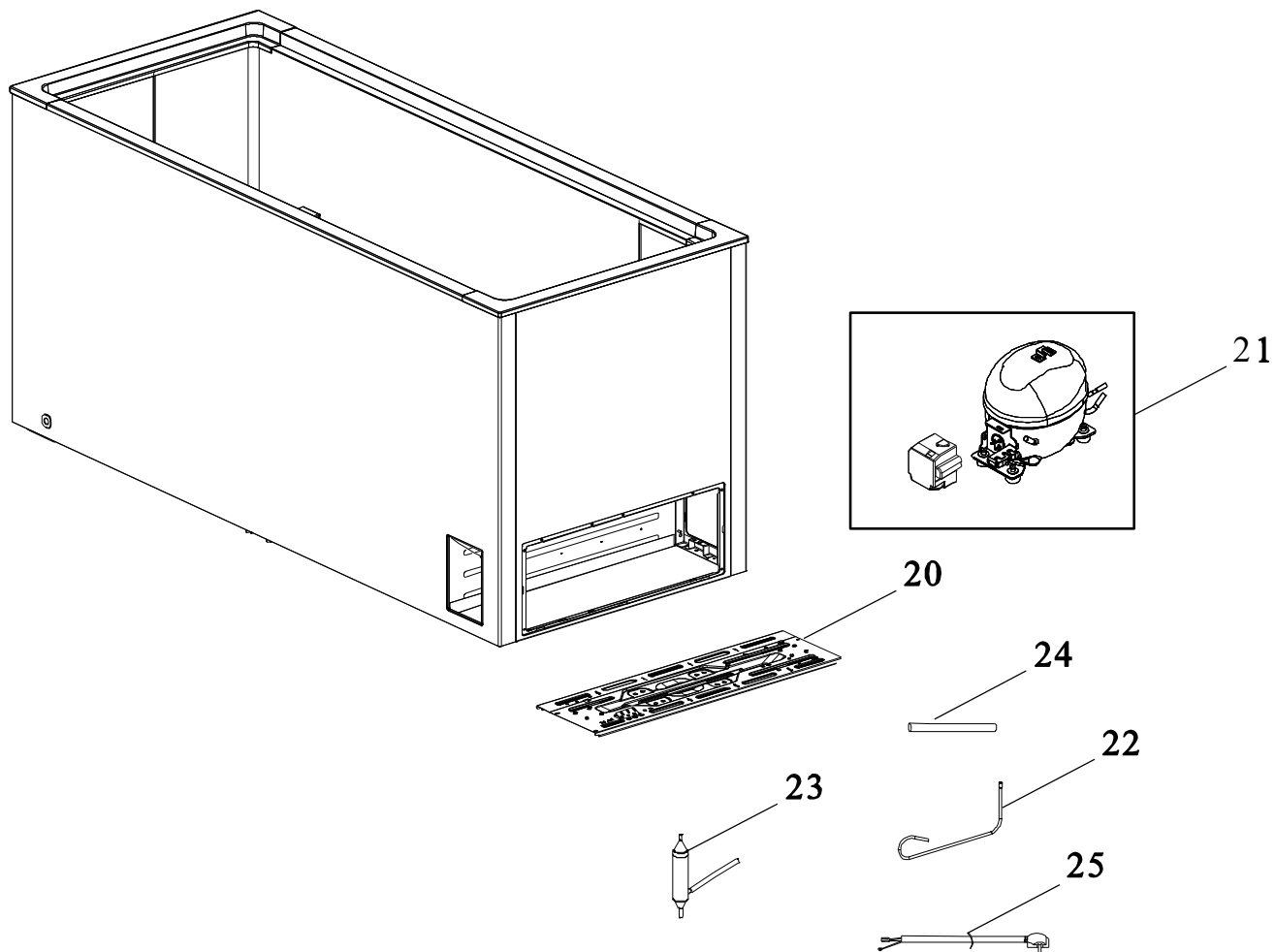


CAFFCL2062AW

CABINET

POS. NO	PART NO.	DESCRIPTION
2	5304512839	Cover, hinge, upper
3	5304512838	Cover, hinge, lower
4	5304533541	Hinge, door
5	5304538826	Hinge, door
6	5304512558	Cap, drain tube
8	5304512560	Foot Assembly, cabinet, adjustable
9	5304512561	Cap, exterior drain
10	4056051693	Housing control box
11 #	4056051719	Control Panel, temperature con
12 #	4056051677	Main Electronic Board, pcb
13 #	4056051669	Display, control panel
14 #	4056051701	PC Board, driver
25	4056051784	Cover access, side panel
26	4056051792	Ventilating grill, rear panel
27	4056051818	Bracket, bottom, middle
28	4056051800	Basket freezer
29	5304512579	Screw, tapping, (24)
30	5304512840	Caster Kit, 4 casters, w/screw kit
31	4056051826	Scoop ice

SYSTEM



SYFFCL2062AW

SYSTEM

POS. NO	PART NO.	DESCRIPTION
20	4056051750	Base compressor, mount plate
21 #	4056051768	Compressor, assembly, w/inverter
22	5304538832	Pipe connector
23	5304538833	Filter, drier
24	4056051776	Tube process
25	5304538830	Power Cord