



FRIGIDAIRE

Factory Parts Catalog

Product No.	FFCL1562AW
Base model	FFCL1562A
Series	R-600A
Color	white
Owner's Guide	A31283301
Market	North America

Frigidaire

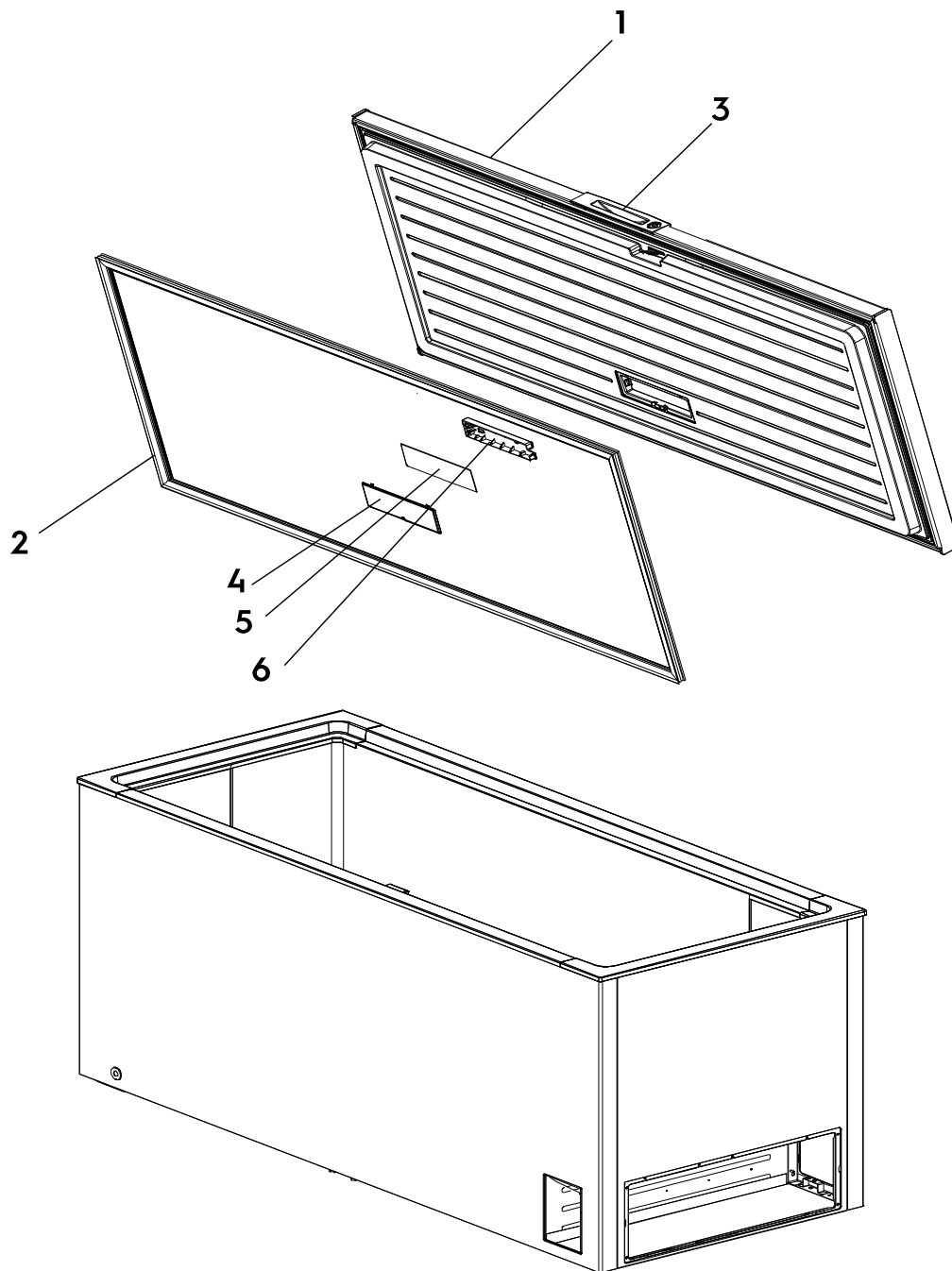
P.O. BOX 8020
CHARLOTTE, NC 28262

Publication No.
5995750139
26/04/16
(EN/SERVICE/)
365

FREEZER CHEST

Model No.
FFCL1562A

DOOR

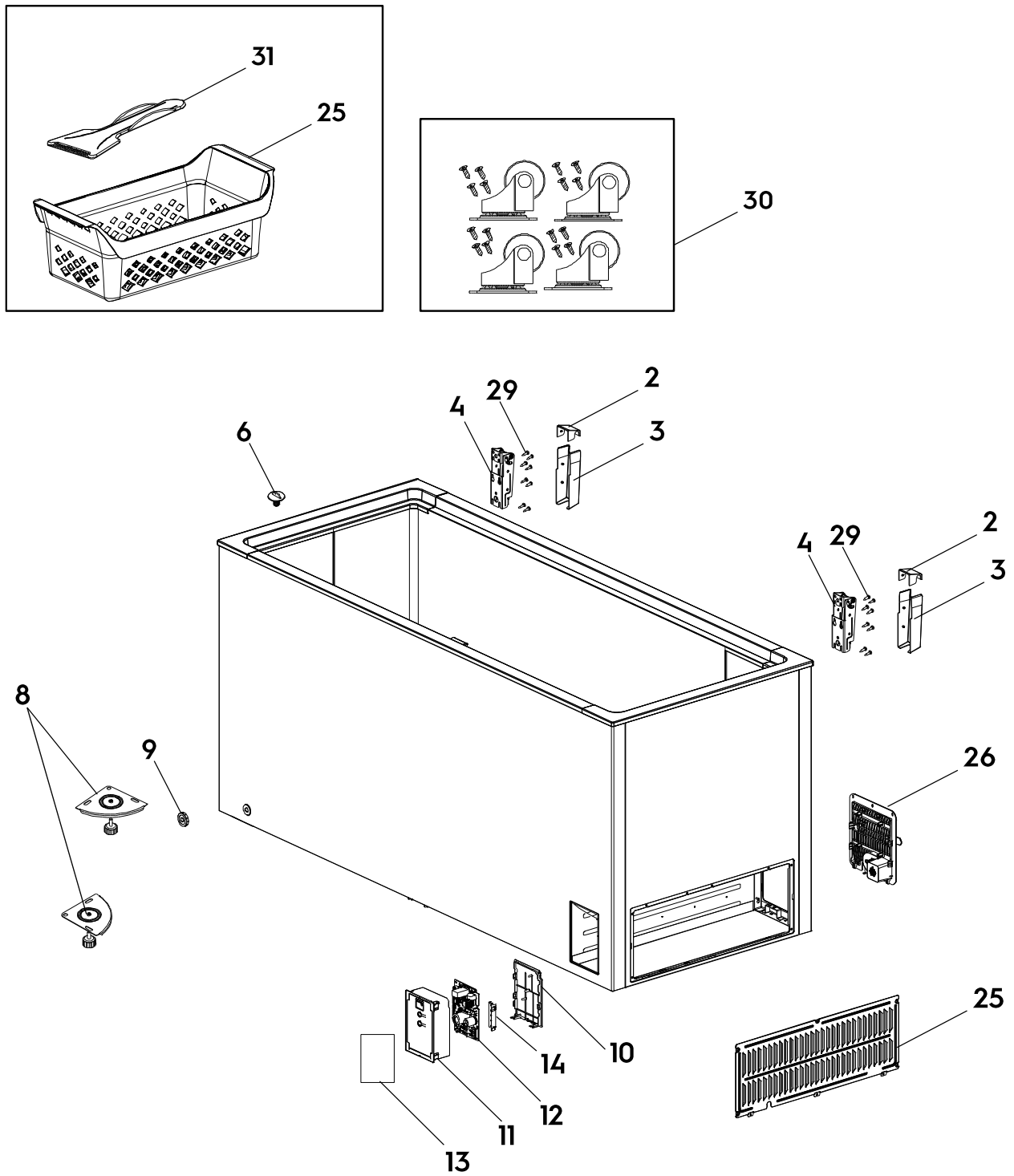


DFFCL1562AW

DOOR

POS. NO	PART NO.	DESCRIPTION
1	4056052477	Door assembly complete, freezer, white
2	4056051875	Gasket, freezer door
3	4056051644	Door handle, grip
4	5304512555	Lens, LED light
5 #	5304512554	Board, LED light
6	4056051651	Mounting Plate, lamp

CABINET

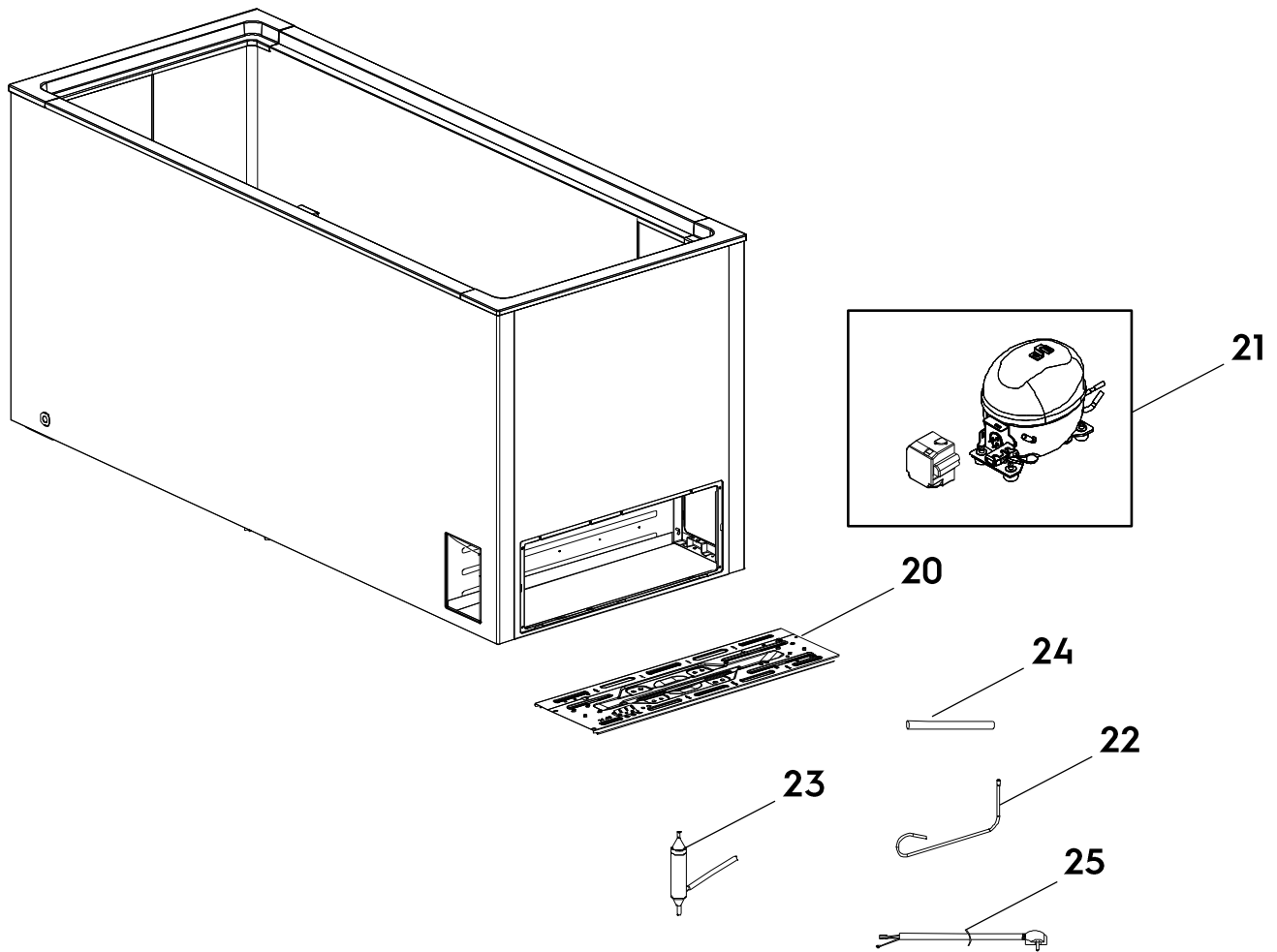


CAFFCL1562AW

CABINET

POS. NO	PART NO.	DESCRIPTION
2	5304512839	Cover, hinge, upper
3	5304512838	Cover, hinge, lower
4	5304533541	Hinge, door
6	5304512558	Cap, drain tube
8	5304512560	Foot Assembly, cabinet, adjustable
9	5304512561	Cap, exterior drain
10	4056051693	Housing control box
11 #	4056051719	Control Panel, temperature con
12 #	4056051883	Main Electronic Board, pcb
13 #	4056051669	Display, control panel
14 #	4056051701	PC Board, driver
25	4056051784	Cover access, side panel
26	4056051792	Ventilating grill, rear panel
28	4056051800	Basket freezer
29	5304512579	Screw, tapping
30	5304512840	Caster Kit, 4 casters, w/screw kit
31	4056051826	Scoop ice

SYSTEM



SYFFCL1562AW

SYSTEM

POS. NO	PART NO.	DESCRIPTION
20	4056051750	Base compressor, mount plate
21 #	4056051891	Compressor Assembly, w/inverter
22	5304538832	Pipe connector
23	5304538833	Filter, drier
24	4056051776	Tube process
25	5304538830	Power Cord