

Forno Biagio 36" Wall Mounted Range Hood Stainless Steel, 600 CFM, Knob Control, Baffle Filter

Model: FRHWM5009-36



FEATURES AND BENEFITS

1. Single Motor Design with 600 CFM Airflow
2. Durable Stainless-Steel Baffle Filters
3. Knob Control
4. 3-Speed Fan Control
5. Ducted Ventilation System
6. Sleek Stainless Steel Finish

CAPACITY

# Speed levels	3	
CFM (cubic feet per minute)	Level 1	350 CFM
	Level 2	450 CFM
	Level 3	600 CFM
Air flow	Level 1	795 m3/hr
	Level 2	765 m3/hr
	Level 3	1,020 m3/hr
RPM (Revolutions Per Minute)	Level 1	500
	Level 2	630
	Level 3	800
Noise Level at each speed	Level 1	52 dB
	Level 2	56 dB
	Level 3	63 dB

APPEARANCE

Size	36"
Style design	Wall Mount
Unit Color	Stainless steel
Ventilation Type	Ducted

FEATURES

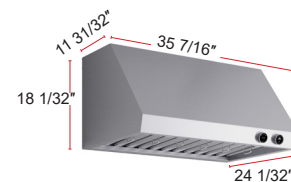
Control type	Knob Control
Number of Hood filters	3
Hood Filter type	Baffle
Light Type	LED Bulb (gu10)
Number of Lights	2
Dimmable Lighting	Yes
Automatic Shut-Off Timer	Yes
Auto. Shut-off Timer Duration	5 min
Number of Motors	1
Duct Shape	Circular
Number of Ducts	1

PRODUCT SPECIFICATIONS

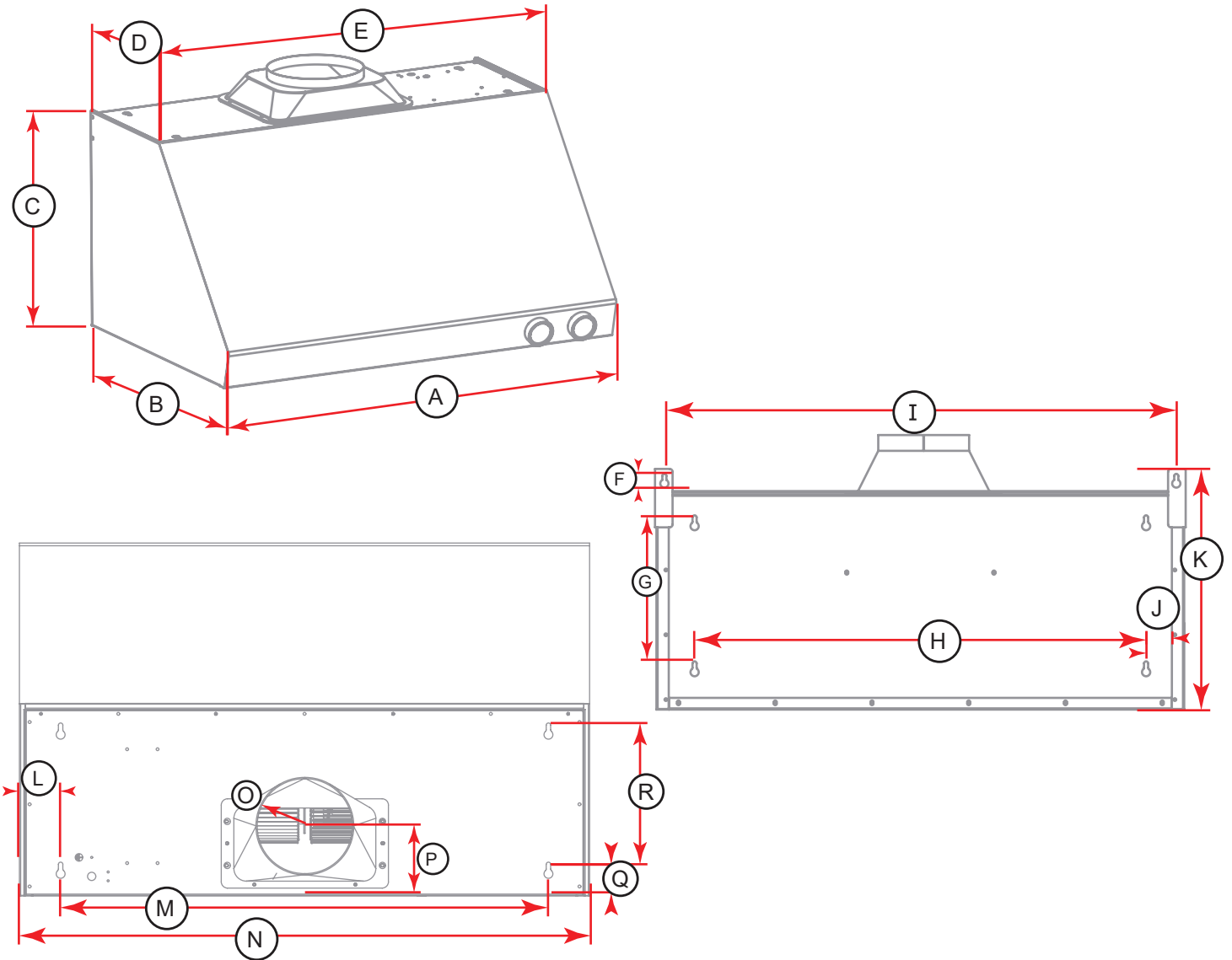
Product Dimensions (WxDxH)(in)	35.5" x 22" x 14.7"
Net Weight (lbs & kg)	66 lbs 29.9 kg
Packaging Dimensions (WxDxH)(in)	41" x 22" x 33"
Shipping Weight (lbs)	99 lbs

TECHNICAL SPECIFICATIONS

Running Amperage	3 Amps
Circuit Breaker Amperage	15 Amps
Volts	120V
Motor Power	80 Watts
Frequency:	60
Receptacle Type:	Nema 5-15P
Power Cord Length (ft)	4



PRODUCT DIMENSION



A	B	C	D	E	F	G	H
Overall Width	Overall Depth	Overall Height	Depth	Width	-	-	-
35 7/16"	21 31/32"	18 1/32"	11 9/32"	35 7/16"	1 1/32"	11 13/16"	30 5/16"
90cm	55.8cm	37.4cm	30.4cm	90cm	2.6cm	25cm	77cm

I	J	K	L	M	N	O	P	Q	R
-	-	-	-	-	-	-	-	-	-
34 3/8"	2 9/16"	18 1/32"	2 9/16"	30 5/16"	47 27/32"	7 7/8"	5 1/2"	1 31/32"	8 21/32"
87.3cm	6.5cm	37.4cm	6.5cm	77cm	90cm	15.4cm	11.05cm	5cm	22cm