



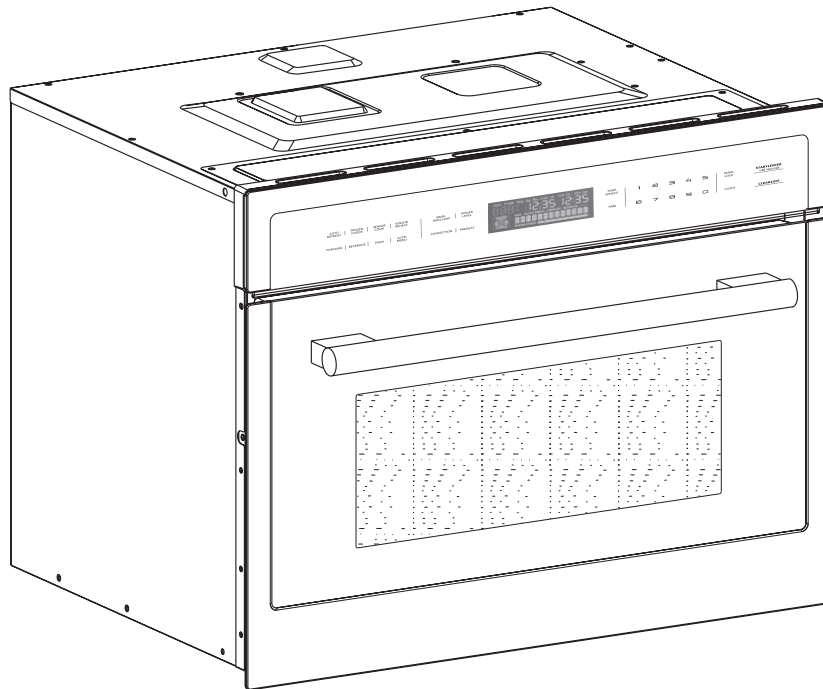
**BUILT-IN MICROWAVE - CONVECTION OVEN**  
**MODEL NUMBER SERIES**  
**FMWDR3093-30 | FMWDR3093-30BLK | FMWDR3093-30WHT**  
**INSTRUCTION MANUAL**

Read these instructions carefully before using your microwave, and keep it carefully.  
If you follow the instructions, your microwave will provide you with many years of good service.

## TABLE OF CONTENTS

Customer Care	4
Warning	5
Important Safety Instructions	6
Name Of Parts and Accessories	7
Ground Instruction	8
Radio Interference	8
<b>Kitchen Utensils:</b> .....	8
• Materials You Can Use In Microwave.....	9
• Materials To Avoided In Microwave.....	9
<b>Causes of Damage</b> .....	10
<b>Dimensions and installation Requirements</b> .....	10
• Electrical connection .....	11
• Packing List.....	12
<b>Key Functions</b> .....	13
<b>Operation:</b> .....	14
• Clock Setting.....	14
• Settion the oven.....	14
• Rreheation.....	14
• Power Level.....	15
• Setting the microwave.....	15
• Express Cooking.....	15
• Canceling operation.....	15
• Speedy microwave cooking.....	15
• Multi-stage cooking.....	16
• Automatic programs.....	16
• Defrosting programs.....	16
• Popcorn.....	17
• Beverage.....	17
• Frozen foods.....	17
• Pizza.....	18
• Sensor cooking.....	19
• Broil.....	21
• Setting the time-setting options.....	21
• Childproof lock.....	22
Care and cleaning	23
Malfunction table	24
Acrylamide in foodstuffs	24
Energy and environment tips	25
Expert Cooking Guide	25
Cleaning and Maintenance	26
Warranty	28

## BUILT-IN MICROWAVE - CONVECTION OVEN



### MODEL NUMBER SERIES

FMWDR3093-30 | FMWDR3093-30BLK | FMWDR3093-30WHT

## Customer Care

Thank you for purchasing a Forno product. Please read the entire instruction manual before operating your new appliance for the first time. Whether you are an occasional user or an expert, it will be beneficial to familiarize yourself with the safety practices, features, operation and care recommendations of your appliance.

Both the model and serial number are listed inside the product. For warranty purposes, you will also need the date of purchase .

Record this information below for future reference.

### Product Information

Model Number : \_\_\_\_\_

Serial Number : \_\_\_\_\_

Date of Purchase : \_\_\_\_\_

Purchase Address And Phone : \_\_\_\_\_

\_\_\_\_\_  
\_\_\_\_\_

### Service Information

Use these numbers in any correspondence or services calls concerning your product.

If you received a damaged product, immediately contact Forno.

To save time and money, before you call for serviced, check the troubleshooting guide. It listed the causes of minor operation problems that you can correct yourself.

### Model And Serial Number Location



*"Need some quick help? Simply scan the qr code and get access to our fast support form. We're always here to assist you with any questions or concerns you may have. So, don't hesitate to reach out!"*

### Services in Canada and United States

Keep the instruction manual handy to answer your questions. If you don't understand something or need more assistance, please visit our website for fast support. Please provide us your name, number, address, serial number of the product that troubleshooting, proof of purchase, and a short description of the issue. A customer service representative will contact you as soon as possible. All warranty work needs to be authorized by FORNO customer service. All our authorized service providers are carefully selected and rigorously trained by us.



**WARNING**  
FOR YOUR SAFETY

## PRECAUTIONS TO AVOID POSSIBLE EXPOSURE TO EXCESSIVE MICROWAVE ENERGY

- (a) **DO NOT** attempt to operate this microwave with the door open since operation can result in harmful exposure to microwave energy. It is important not to defeat or tamper with the safety interlocks.
- (b) **DO NOT** place any object between the microwave front face and the door or allows soil or cleaner residue to accumulate on sealing surfaces.
- (c) **DO NOT** operate the microwave if it is damaged. It is particular important that the microwave door close properly and that there is no damage to the:
- (1) DOOR (bent)
  - (2) HINGES AND LATCHES (broken or loosened)
  - (3) DOOR SEALS AND SEALING SURFACE
- (d) The microwave should not be adjusted or repaired by anyone except properly qualified service personnel.

SPECIFICATIONS	
Model	<b>FMWDR3093-30</b> <b>FMWDR3093-30BLK</b> <b>FMWDR3093-30WHT</b>
Rated Voltage	120 VAC, 60 Hz
Microwave Input	1750W
Microwave Output	1000W
Grill	1750W
Convection	1700W



**WARNING** : This product can expose you to chemicals including [Lead, lead and lead compound, which is [are] known to the state of California to cause cancer and birth defects or other reproductive harm. For more information go to [www.P65Warning.ca.gov](http://www.P65Warning.ca.gov).

## Important Safety Instructions

---

When using electrical appliances basic safety precautions should be followed, to reduce the risk of burns, electric shock, fire, injury to persons or exposure to excessive microwave energy.

1. Read all instructions before using the appliance.
  2. Read and follow the specific: "PRECAUTIONS TO AVOID POSSIBLE EXPOSURE TO EXCESSIVE MICROWAVE ENERGY"
  3. This appliance must be grounded. Connect only to properly grounded outlet. See "GROUNDING INSTRUCTIONS".
  4. Install or locate this appliance only in accordance with the provided installation instructions.
  5. Some products such as whole eggs and sealed containers - for example, closed glass jars - are able to explode and should not be heated in this microwave.
  6. Use this appliance only for its intended use as described in the manual. **DO NOT** use corrosive chemicals or vapors in this appliance. This type of microwave is specifically designed to heat, cook or dry food. It is not designed for industrial or laboratory use.
  7. **HOT CONTENTS CAN CAUSE SEVERE BURNS. DO NOT ALLOW CHILDREN TO USE THE MICROWAVE.** Use caution when removing hot items.
  8. **DO NOT** operate this appliance if it has a damaged cord or plug, if it is not working or if it has been damaged or dropped.
  9. This appliance should be serviced only by qualified service personnel. Contact [mysupport@forno.ca](mailto:mysupport@forno.ca) for examination, repair, or adjustment.
  10. **DO NOT** cover or block any openings on the appliance.
  11. **DO NOT** store this appliance outdoors. **DO NOT** use this product near water - for example, near a kitchen sink, in a wet basement, near a swimming pool, or similar location.
  12. When cleaning surfaces of door and microwave that comes together on closing the door, use only mild, nonabrasive soaps, or detergent applied with a sponge or soft cloth.
  13. To reduce the risk of fire in the microwave cavity
    - 1). **DO NOT** overcook food. Carefully attend appliance when paper, plastic, or other combustible materials are placed inside the microwave to facilitate cooking.
    - 2). Remove wire twist-ties from paper or plastic bag before placing bag in microwave.
    - 3). If material inside of the microwave ignite, keep microwave door closed, turn microwave off, and disconnect the power cord, or shut off power at the fuse or circuit breaker panel.
    - 4). **DO NOT** use the cavity for storage purposes. **DO NOT** leave paper products, cooking utensils, or food in the cavity when not in use.
  14. Liquids, such as water, coffee, or tea are able to be overheated beyond the boiling point without appearing to be boiling. Visible bubbling or boiling when the container is removed from the microwaves not always present. **THIS COULD RESULT IN VERY HOT LIQUID SUDDENLY BOILING OVER WHEN THE CONTAINER IS DISTURBED OR A UTENSIL IS INSERTED INTO THE LIQUID.**

To reduce the risk of injury to persons:

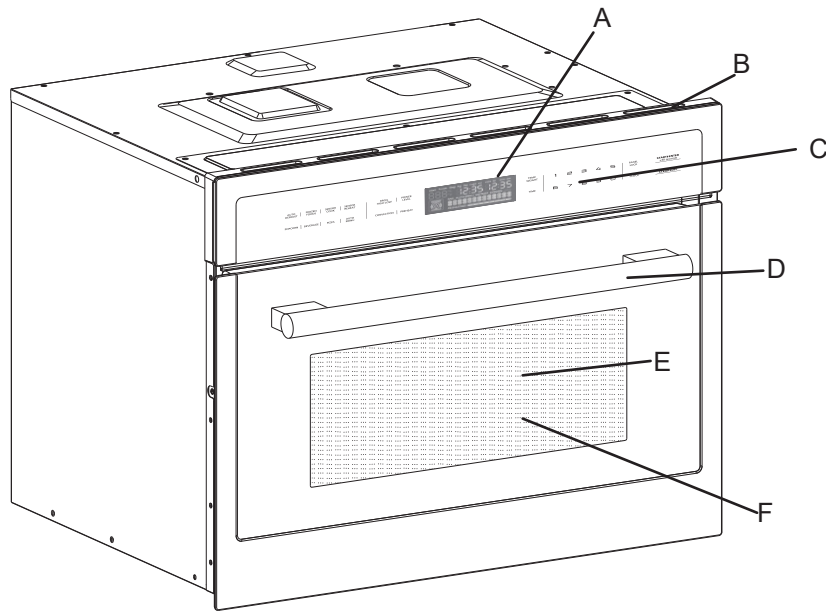
    - 1) **DO NOT** overheat the liquid.
    - 2) Stir the liquid both before and halfway through heating it.
    - 3) **DO NOT** use straight-sided containers with narrow necks.
    - 4) After heating, allow the container to stand in the microwave for a short time before removing the container.
    - 5) Use extreme care when inserting a spoon or other utensil into the container.
15. **DO NOT** operate any heating or cooking appliance beneath the appliance.
  16. **DO NOT** mount unit over or near any portion of heating or cooking appliance.
  17. Oversized food or oversized metal utensils should not be inserted in a microwave / toaster oven as they may create a fire or risk of electric shock.
  18. Do not clean with metal scouring pads. Pieces can burn off the pad and touch electrical parts involving a risk of electric shock.
  19. Do not use paper products when appliance is operated in the toaster mode.
  20. Do not store any materials, other than manufacturer's recommended accessories, in this oven when not in use.
  21. Do not cover racks or any other part of the oven with metal foil. This will cause over heating of the oven.
  22. Do not immerse cord or plug in water.
  23. Keep cord away from heated surface.
  24. Do not let cord hang over edge of table or counter.
  25. Do not mount over sink.
  26. Do not store anything directly on top of the appliance surface when the appliance is in operation.



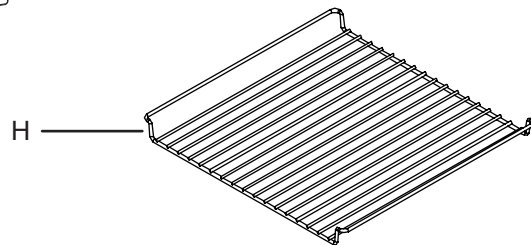
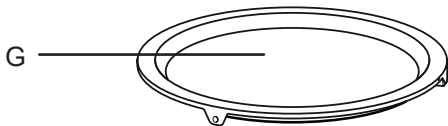
**Liquids and other foods must not be heated in sealed containers since they are liable to explode.**

**SAVE THESE INSTRUCTIONS**

## Names of Parts and Accessories

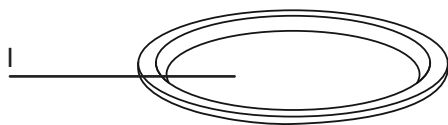


- A. Display
- B. Air vent
- C. Control panel
- D. Handle
- E. Window
- F. Frame
- G. Metal turntable
- H. Gliding rack
- I. Ceramic turntable



- The turntable can turn clockwise or counterclockwise.
- Place the turntable on the drive in the center of the cooking compartment. Ensure that it is properly fitted.
- Never use the microwave without the turntable.
- The turntable can withstand up to 11 pounds.
- The turntable must turn when using all types of heating.
- The turntable is made out of metal with porcelain coating.

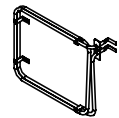
- A reversible wire grill rack is included for maximum convection performance. For best results for baking or roasting, place rack face down for baking. For grilling, place the rack face up.



Top



Bottom



True Convection

- The appliance also comes with a cordierite ceramic plate that can be placed on the turntable for stabler cooking.

- The appliance has 3 heating elements.

Before using the accessories for the first time, clean them thoroughly with hot soapy water and a soft dish cloth.



**The rack can remain inside the microwave during the microwave function as long as it is placed properly in the rack holders.**

## **Grounding Instructions**

---

This appliance must be grounded. In the event of an electrical short circuit, grounding reduces the risk of electric shock by providing an escape wire for the appliance is equipped with a cord having a grounding wire with a grounding plug. The plug must be plugged into an outlet that is properly installed and grounded.

**WARNING** - Improper use of the grounding can result in a risk of electric shock.

Consult a qualified electrician or serviceman if the grounding instructions are not completely understood, or if doubt exists as to whether the appliance is properly grounded. If it is necessary to use an extension cord, use only a 3-wire extension cord that has a 3-blade grounded plug, and 3-slot receptacle that will accept the plug on the appliance. The marked rating of the extension cord shall be equal to or greater than the electrical rating of the appliance.

### **DANGER - Electric Shock Hazard**

Touching some of the internal components can cause serious personal injury or death. Do not disassemble this appliance.

### **WARNING - Electric Shock Hazard**

Improper use of the grounding can result in electric shock. Do not plug into an outlet until appliance is properly installed and grounded.

1. A short power-supply cord is provided to reduce the risks resulting from becoming entangled in or tripping over a longer cord.
2. Longer cord sets or extension cords are available and may be used if care is exercised in their use.
3. If a long cord or extension cord is used:
  - 1) The marked electrical rating of the cord set or extension cord should be at least as great as the electrical rating of the appliance.
  - 2) The extension cord must be a grounding-type 3-wire cord.
  - 3) The longer cord should be arranged so that it will not drape over the counter top or tabletop where it can be pulled on by children or tripped over unintentionally.

**\*\*THIS DEVICE COMPLIES WITH PART 18 OF THE FCC RULES.\*\***  
**(ONLY FOR USA)**

## **Radio Interference**

---

1. Operation of the microwave may cause interference to your radio, TV or similar equipment.
2. When there is interference, it may be reduced or eliminated by taking the following measures:
  - 1) Clean door and sealing surface of the microwave
  - 2) Reorient the receiving antenna of radio or television.
  - 3) Relocate the microwave with respect to the receiver.
  - 4) Move the microwave away from the receiver.
  - 5) Plug the microwave into a different outlet so that microwave and receiver are on different branch circuits.

This device complies with part 18 of the FCC Rules. FCC has the authority to regulate industrial, scientific, and medical equipment (ISM) that emits electromagnetic energy on frequencies within the radio frequency spectrum to prevent harmful interference to authorized radio communication services.

## **Kitchen Utensils**

---

### **CAUTION - Personal Injury Hazard**

Tightly-closed containers could explode. Closed containers should be opened and plastic pouches should be pierced before cooking. See the instructions on "Materials you can use in microwave and materials to avoided in microwave."

There may be certain non-metallic kitchen utensils that are not safe to use for microwaving. If in doubt, you can test the kitchen utensil in question following the procedure below.

Kitchen Utensil Test:

1. Fill a microwave-safe container with 1 cup of cold water (250ml) along with the utensil in question.
2. Cook on maximum power for 1 minute.
3. Carefully feel the utensil. If the empty utensil is warm, do not use it for microwave cooking.
4. Do not exceed 1 minute cooking time.

## MATERIALS YOU CAN USE IN MICROWAVE

Material	Instructions
Browning dish	Follow manufacturer* instructions. The bottom of browning dish must be at least 3/16 inch (5mm) above the turntable. Incorrect usage may cause the turntable to break.
Dinnerware	Microwave-safe only. Follow manufacturer's instructions. Do not use cracked or chipped dishes
Glass jars	Always remove lid. Use only to heat food until just warm. Most glass jars are not heat resistant and may break.
Glassware	Heat-resistant glassware only. Make sure there is no metallic trim. Do not use cracked or chipped dishes.
Cooking bags	Follow manufacturer* instructions. Do not close with metal tie. Make slits to allow steam to escape.
Paper plates and cups	Use for short-term cooking/warming only. Do not leave microwave unattended while cooking.
Paper towels	Use for short-term cooking/warming only. Do not leave microwave unattended while cooking.
Parchment paper	Use for short-term cooking/warming only. Do not leave microwave unattended while cooking.
Plastic	Microwave-safe only. Follow the manufacturer instructions. Should be labeled "Microwave Safe". Some plastic containers soften, as the food inside gets hot. "Boiling bags" and tightly closed plastic bags should be slit, pierced or vented as directed by package.
Plastic wrap	Microwave-safe only. Use to cover food during cooking to retain moisture. Do not allow plastic wrap to touch food.
Thermometers	Microwave-safe only (meat and candy thermometers).
Wax paper	Use as a cover to prevent splattering and retain moisture.

## MATERIALS TO AVOIDED IN MICROWAVE

Material	Instructions
Aluminum tray	May cause arcing. Transfer food into microwave-safe dish.
Food carton with metal handle	May cause arcing. Transfer food into microwave-safe dish.
Metal or metal-trimmed utensils	Metal shields the food from microwave energy. Metal trim may cause arcing.
Metal twist ties	May cause arcing and could cause a fire in the microwave.
Paper bags	May cause a fire in the microwave.
Plastic foam	Plastic foam may melt or contaminate the liquid inside when exposed to high temperature.
Wood	Wood will dry out when used in the microwave and may split or crack.

## Causes of Damage

---

### CAUTION!

- Creation of sparks: Metal e.g. a spoon in a glass must be kept at least 2 cm from the oven walls and the inside of the door. Sparks could irreparably damage the glass on the inside of the door.
- Water in the hot cooking compartment: Never pour water into the hot cooking compartment. This will cause steam. The temperature change can cause damage.
- Moist food: Do not store moist food in the closed cooking compartment for long periods. Do not use the appliance to store food. This can lead to corrosion.
- Cooling with the appliance door open: Only leave the cooking compartment to cool with the door closed. Do not trap anything in the appliance door. Even if the door is only slightly ajar, the fronts of adjacent units may be damaged over time.
- Heavily soiled seal: If the seal is very dirty, the appliance door will no longer close properly during operation. The fronts of adjacent units could be damaged. Always keep the seal clean.
- Operating the microwave without food: Operating the appliance without food in the cooking compartment may lead to overloading. Never switch on the appliance unless there is food in the cooking compartment. An exception to this rule is a short crockery test (see the section “Microwave, suitable crockery”).
- Using the appliance door for standing on or placing objects on: Do not stand or place anything on the open appliance door. Do not place ovenware or accessories on the appliance door.
- Transporting the appliance: Do not carry or hold the appliance by the door handle. The door handle cannot support the weight of the appliance and could break.
- Microwave popcorn: Never set the microwave power too high. Use a power setting no higher than 600 watts. Always place the popcorn bag on a glass plate. The disc may jump if overloaded.
- Liquid that has boiled over must not be allowed to run through the turntable drive into the interior of the appliance. Monitor the cooking process. Choose a shorter cooking time initially, and increase the cooking time as required.
- The oven should be cleaned regularly and any food deposits removed since they may explode, even after microwave heating.
- Failure to maintain the oven in a clean condition could lead to deterioration of the surface that could adversely affect the life of the appliance and possibly result in a hazardous situation.

## Dimensions and Installation Requirements

---

Use this checklist to verify that you have completed each step of the installation process. This can help you avoid mistakes.

Refer to detailed instructions for each step in the sections following this checklist.

1. Before installing the appliance, be sure to verify the cabinet dimensions are correct for your appliance and that the required electrical connections are present. Make sure the electrical conduit provided on the appliance is able to reach to the point of connection. Section: Dimensions and Cabinet Requirements
2. Move the appliance into place in front of the cabinet opening. Section: Removing Packaging
3. Remove packaging materials, leaving the bottom packaging on the appliance to avoid damage to the floor. Section: Removing Packaging
4. Team-lift the appliance directly into the cabinet cutout. Section: Install Appliance, “Mount to Cabinet”
5. Slide the appliance all the way into place. Section: Install Appliance, “Mount to Cabinet”
6. Fasten the appliance to the cabinet opening with the screws supplied. Section: Install Appliance, “Mount to Cabinet”

Always read and follow the complete installation instructions contained in this manual.

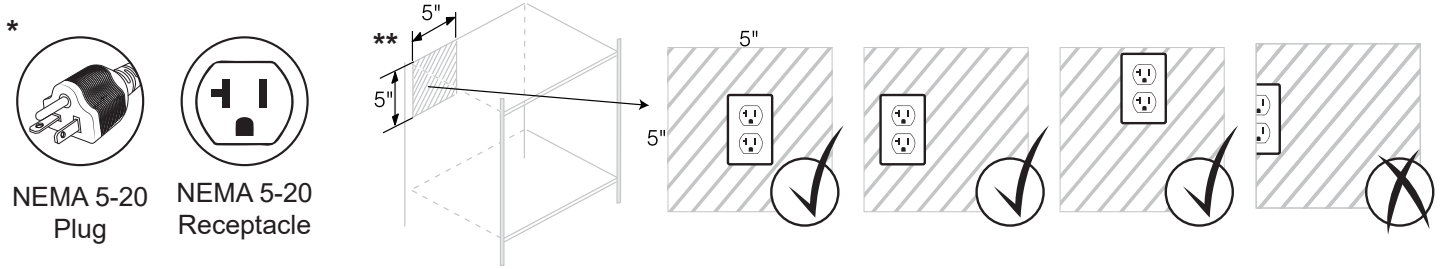
- A space of ¼” (6.4 mm) is required between the side of the appliance and an adjacent wall or cabinet door

when installed at the end of a cabinet run. The cabinet base must be flat and capable of supporting the weight of your appliance when in use. For combination units consult the section Cabinet Dimension Requirements in the installation manual of your combination appliance.

- The appliance door will overlap the furniture below by approx. 3/16” (5 mm) when opened. If necessary, you can elevate the appliance position by adding a panel in the required thickness on top of the supporting base. The supporting base must be level and securely fixed to the cabinet.

Outlet area for both wall and counter installation.

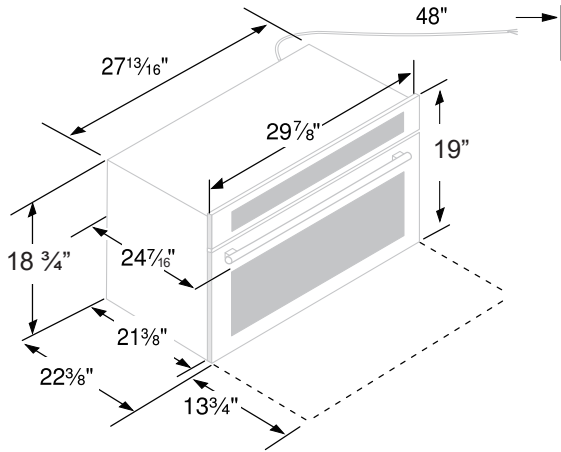
- \*The unit comes with a **NEMA 5-20 plug**. Make sure the outlet has the **NEMA 5-20 receptacle**.
- \*\*The outlet can be located anywhere within the shaded area.



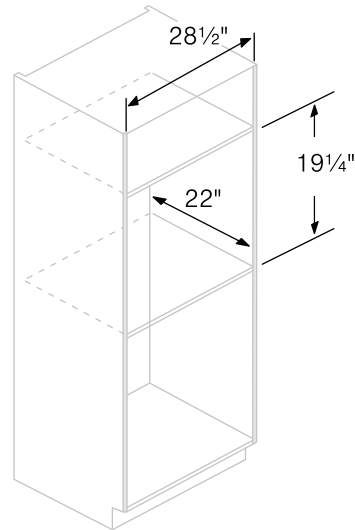
**Electrical connection**

The appliance is fitted with a plug and must only be connected to a properly installed grounded socket. Only a qualified electrician who takes the appropriate regulations into account may install the socket or replace the connecting cable. If the plug is no longer accessible following installation, an all-pole isolating switch must be present on the installation side with a contact gap of at least 3 mm. Contact protection must be ensured by the installation. Fuse protection: see instructions for use-technical data.

**Appliance Dimensions**

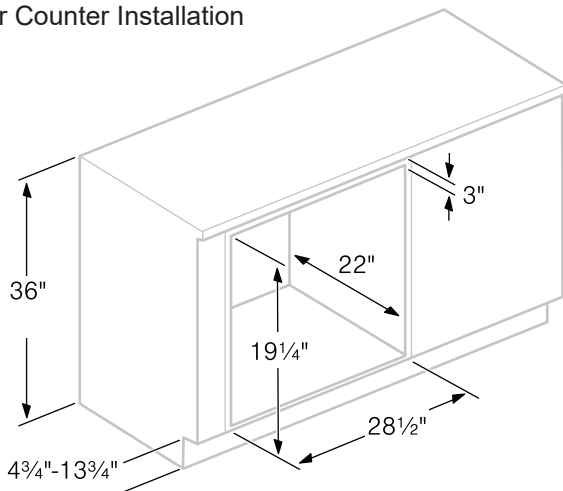


**Cut Out For Wall Installation**



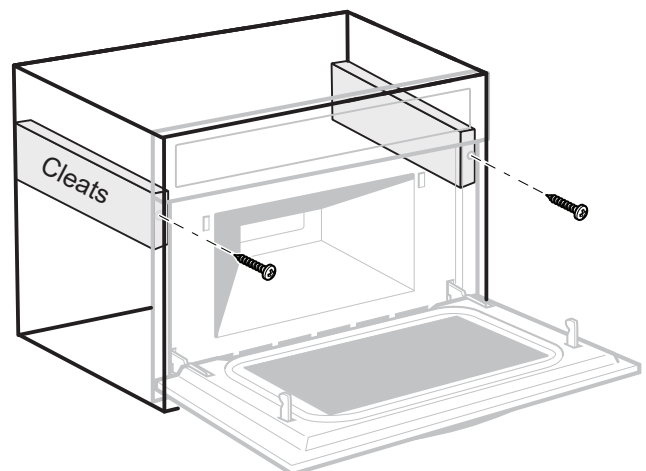
Notice: The cabinet base be flat and capable of supporting a weight of at 142 lbs (64.1kg)

**Under Counter Installation**

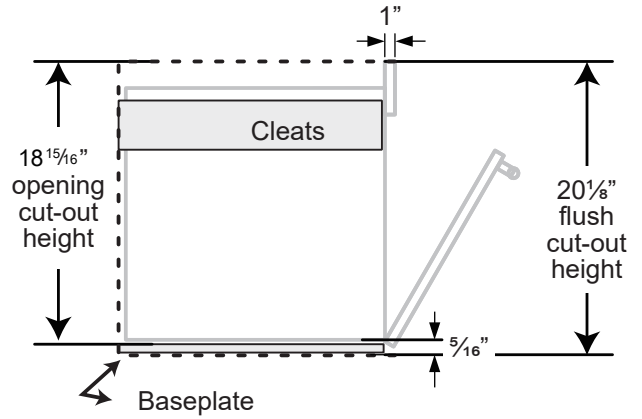


**Flush Installation**

- Screw in the  $\frac{3}{4}$ " wood cleats into to the counter or cabinet frame.
- Place a  $\frac{5}{16}$ " baseplate underneath the unit body.

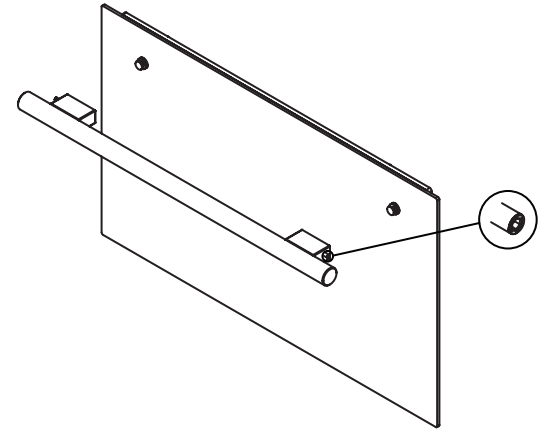


Note: The appliance is heavy. It best to install it with a second person. Before installing the appliance, be sure to verify the cabinet dimensions and electrical connections. Do not kink the electrical cable.






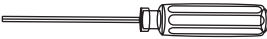


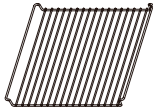


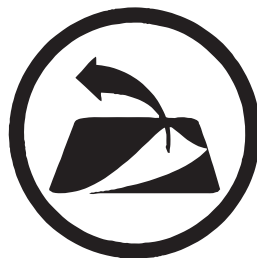
**HANDLE INSTALLATION**

1. Locate the holes on the underside of each handle base.
2. Using a Allen/hex key, turn counter-clockwise to loosen both the left and right set screws.
3. Carefully remove the handle. If installing an handle, carefully place the new handle on the mounting studs. Then, using the Allen/hex key, tighten the left and right set screws in a clockwise motion until the handle is firmly in place.



**Packing List**

 Instruction Manual 1x	 Antique Brass Handle 1x	 Stainless Steel Handle 1x	 Screws (Handle) 2x	 Screws 2x
 Allen / hex key 1x	 Metal Turntable 1x	 Ceramic Turntable 1x	 Oven Rack	



**PEEL OFF ALL PROTECTION FILM AND TAPES BEFORE USE.**

## Key Functions

The touch keys are used to set the various additional functions. On the display, you can read the values that you have set.

Symbol	Function
Auto Defrost	Select auto defrost programs
Frozen Foods	Select cooking programs for frozen convenience foods
Sensor Cook	Select sensor cook programs
Sensor Reheat	Select sensor reheat programs
Popcorn	Cook popcorn
Beverages	Heat beverages
Pizza	Select pizza programs
Auto Menu	Select auto menu programs

Symbol	Function
Broil	Set broil modes (high or low)
Power Level	Set power level for microwave operation
Convection	Select Bake Cook programs Select Roast Cook programs
Preheat	Select preheat programs
Temperature weight	Set temperature or weight of cooking
Time	Set a cooking time
Panel Lock	Activate / deactivate child lock
Clock	Set time of day
0-9	Use the number keys to enter customized values
Start / enter +30 seconds	Confirm entered values / Start cooking mode Add 30 seconds
Clear / Off	Clear entered value / turn appliance off

Use the adjusting keys to set the parameters.

Parameter	Function
Auto menu	Selecting 8 preset programs
Weight	Set the weight for cooking or defrosting
Time	Set the time for cooking

## Operation

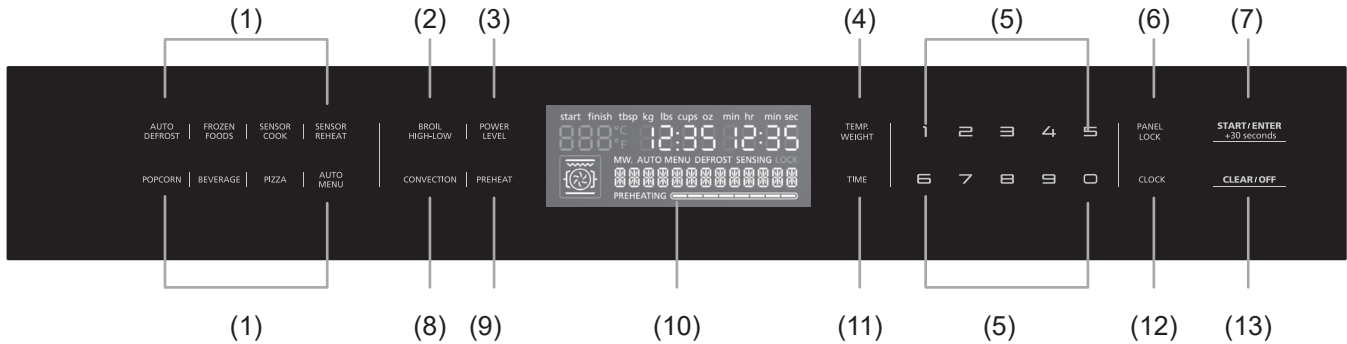
Your appliance has a cooling fan. The cooling fan switches on during operation. The hot air escapes above the door. The cooling fan continues to run for a certain time after operation.

### Caution!

Do not cover the ventilation slots. Otherwise, the appliance will overheat.

### Notes

- The fan may still run even when microwave operation has ended.
- Condensation may appear on the door window, interior walls and floor. This is normal and does not adversely affect microwave operation. Wipe away the condensation after cooking.



- |                         |                       |                          |                 |
|-------------------------|-----------------------|--------------------------|-----------------|
| 1. Preset               | 4. Temperature weight | 7. Start / enter +30sec. | 10. Display     |
| 2. Broil ( high or low) | 5. Number keys        | 8. Convection.           | 11. Time        |
| 3. Power level          | 6. Panel lock         | 9. Preheat               | 12. Clock       |
|                         |                       |                          | 13. Clear / off |

## 1. Clock setting:

Once the appliance is connected to the power, "12:00" will be displayed as the time of day. To set the correct time, proceed as follows:

- Press Clock
- Enter the correct time using the number keys. Example: to the time to 12:41, type 1 2 4 1.
- Press Start / Enter +30 seconds to confirm.

Note: To remove the new oven smell, heat up the appliance when it is empty and closed. One hour Convection at 350°F (180°C) is ideal. Please ensure there is no packaging remnants have been left in the oven cavity.

- Press Convection once to enter bake mode.
  - Enter the numbers 3 5 0 with the number keys.
  - Touch TIME to adjust cooking time.
  - Enter the numbers 6 0 0 0 with the number keys.
  - Touch Start/Enter +30 Seconds to start cooking.
- The oven light turns on and the appliance starts heating.

## 2. Setting the oven:

There are various ways in which you can use your oven. Here we will explain how you can select the desired type of heating and temperature or grill setting. You can also select the oven cooking time for your dish. Please refer to the section on *setting the time setting options*.

Setting Convection mode: (Example: roast 350° F for 20 minutes)

- Press Convection twice to enter roast mode.
- Enter the numbers 3 5 0 with the number keys.
- Touch TIME to adjust cooking time.
- Enter the numbers 2 0 0 0 with the number keys.
- Touch Start/Enter +30 Seconds to start cooking.

Program	Touch Convection key	Temperature range
Bake	once	250~400°F
Roast	twice	300~450°F

Note: If you do not need to adjust the time, skip Step 3-4.

### Preheating :

With the preheating, your oven will reach the set temperature particularly quickly. To ensure an oven cooking result, only put your food in the cooking compartment when the preheating phase is complete.

## Operation (Continued)

- (1) Press the Preheat key
- (2) Enter the temperature setting with the number key. The input temperature should be within 100-450°F
- (3) Press the Start / Enter +30 seconds key.

The oven will begin to heat up. Once the preheating process is complete, a beep sound will notify you that you can place your food in the oven. Set the cooking mode you need.

To cancel the preheating, there are two ways to cancel.

- (1) Press clear / off key to cancel.
- (2) You can open the door to cancel the operation.

Note: Only when you can hear Alert alarm and preheating icon is blinking you can open the door and put food inside.

### 3. Power Level:

You can select from 11 different microwave power levels. If you do not set a power level, the microwave will automatically operate at the highest power level. The table below provides suggested power levels for various types of food that can be prepared in the microwave.

Power Level	Microwave Output	Function
PWR100	100%	Boiling water Cooking ground meat Making candy Cooking fresh fruit & vegetables Cooking fish & poultry Preheating browning dish Reheating beverages Cooking bacon slices
PWR90	90%	Reheating meat slices quickly Saute onions, celery & green peppers
PWR80	80%	All reheating Cooking scrambled eggs
PWR70	70%	Cooking breads & cereal products Cooking cheese dishes Cooking muffins, brownies & cupcakes Cooking whole poultry
PWR60	60%	Cooking pasta
PWR50	50%	Cooking meat Cooking custard Cooking spare ribs, rib roast & sirloin roast

Power Level	Microwave Output	Function
PWR40	40%	Cooking less tender cuts of meat Reheating frozen packaged foods
PWR30	30%	Thawing meat, poultry & seafood Cooking small quantities of food Finish cooking casseroles, stew & some sauces Melting chocolate
PWR20	20%	Softening butter & cream cheese
PWR10	10%	Softening ice cream Raise yeast dough
PWR0	0%	Work with fan for no power Remove the odour of the oven

Setting the microwave:

- (1) Enter the desired cook time with the number keys. The timer display will fill in from right to left. Example: To set a microwave time of 20 minutes and 30 seconds, enter the numbers 2 0 3 0.
- (2) You can start microwave operation with the default power level PWR100 by touching Start / Enter +30 seconds, -or - you can set a different power level. Touch Power Level.
- (3) Enter the desired power level using the number keys.
- (4) Press Start / Enter +30 seconds to start microwave operation. The microwave timer will start to count down.

Speedy microwave cooking:

- (1) Use the key to quick-start your microwave at the highest power level. You can touch the key repeatedly to increase the microwave time in increments of 30 seconds.
- (2) Pressing this key during microwave operation will add 30 seconds to the remaining microwave time. The cooking time has elapsed.
- (3) A beep sound will notify you that the microwave operation has ended.

### 4. Express Cooking:

- (1) In standby, press number keys 1 to 9 to start 100% microwave cooking in 1 to 9 minutes.
- (2) If the door is closed, the oven will start to cook automatically after 2 seconds.

## 5. Multi-stage cooking:

- (1) Enter the desired cook time with the number keys. The timer display will fill in from right to left.
  - (2) Press Power Level.
  - (3) Enter the desired power level using the number keys.
  - (4) Press Power Level.
  - (5) Enter the desired power level using the number key.
  - (6) Press Start /Enter +30 seconds.
  - (7). Enter the desired cook time with the number keys.
  - (8) Press Start/Enter +30 seconds to start the microwave operation...
- You will be alert by sound 3 times when the first cooking stage is finished and enter the second stage.

## 6. Automatic programs:

- (1) Press Auto menu
- (2) Press repeatedly to scroll through all Auto menu
- (3) Touch number keys to adjust the weight of food.
- (4) Press Start / Enter +30 seconds to start cooking.

Note: Opening the appliance door during operation will interrupt the current mode. Close the appliance door and press Start / Enter +30 seconds to resume operation.

Cancel operation:

Touch Clear/Off to cancel the operation.

The cooling fans may continue to run for a while and then switch off automatically

Program	Weight range	Cooking method
1- Chicken breasts	0.5 - 3.0 lbs	Wire rack facing down
2- Chicken thigh	0.5 - 3.0 lbs	Wire rack facing down
3- Whole poultry	1.5 - 4.5 lbs	Turntable
4- Beef roast	0.5 - 3.25 lbs	Turntable
5- Pork tenderloin	1.0 - 3.0 lbs	Wire rack facing down
6- Pork chops	0.5 - 3.0 lbs	Wire rack facing down
7- Meatloaf	1.0 - 3.25 lbs	Turntable
8- Fish Fillets	0.5 - 2.0 lbs	Wire rack facing down

## 7. Defrosting programs:

You can use the 2 defrosting programs to defrost ground meat and meat pieces.

- (1) Press Auto Defrost once or twice to choose "GROUND MEAT" or "MEAT PIECES".
- (2) Enter the weight of the food you want to defrost using the number keys.
- (3) Press Start / Enter +30 seconds to start defrosting.

### ■ Preparing food

Take the food you wish to defrost from the freezer and remove all packaging. Place the food onto the scale and weigh it or read label on package. Knowing the weight of your frozen food will help you set the program and cooking method you need. Once the defrost has been completed, there will be liquid in the tray. Make sure to drain out the liquid. DO NOT allow the liquid to come into contact with other foods.

■ **Ovenware**

Place the food in a microwaveable shallow dish. Use a ceramic or glass plate **DO NOT** attach the cover. During defrosting, you will get an audio notification on two occasions to indicate that the food needs to be turned.

■ **Resting time**

Once the food is defrosted, let it sit for an additional 10 to 30 minutes until it reaches room temperature. The Larger the portions of meat are, the longer the standing time will be. Meats that are minced or in pieces should be separated apart to allow the meat to reach room temperature faster. Keep in mind, the thicker the piece of meat is, it may still be frozen in the middle.

Program	Defrost	Weight range
1	Ground meat	17oz (0.50kg) - 70oz (2.00 kg)
2	Meat pieces	17oz (0.50kg) - 105oz (3.00kg)

## 8. Popcorn

The popcorn feature lets you pop 3 different bag sizes of commercially packaged microwave popcorn. Use the following table to determine the setting to use: Setting Popcorn mode

Bag Size	Popcorn key
1.2 oz / 34g.	Press once
2.5 oz / .71g	Press twice
3.5 oz / .99g	Press 3x

- (1) Press Popcorn key
- (2) Then press the number of times (1-3) to choose the desired weigh
- (3) Press Start / Enter +30 seconds

The microwave timer starts counting down. When the microwave time has elapsed, a beep will sound. **CAUTION Do not** leave the oven unattended while it's in process. Popcorn may ignite and cause fire.

## 9. Beverage

The beverage feature heats 0.5 to 2 cups of a beverage. Use the table below to determine the setting to use. Setting Beverage mode

Amount	Beverage key
0.5 cups (about 4 oz   0.11L)	Press once
1 cup (about 8 oz   0.23L)	Press twice
1.5 cups (about 12 oz   0.35L)	Press 3x
2 cups (about 16 oz   0.47L)	Press 4x

- (1) Press Beverage key
- (2) Then press the number of times (1-3) to choose the desired weigh
- (3) Press Start / Enter +30 seconds

The microwave timer starts counting down. When the microwave time has elapsed, a beep will sound. The appliance turns off and the clock will reappear.

## 10. Frozen foods

Use the Frozen Foods feature to prepare frozen convenience foods, like chicken nuggets, French fries, fish sticks, using bottom heat and Convection. Place the food you want to cook directly on the metal tray turntable. You can set a temperature range from 200 to 450° F (100 to 230°C).

# 11. Pizza

You can use the Pizza mode to bake three different types of pizza:

Mode no.	Pizza type	Bake on
1	Frozen pizza	Metal tray
2	Fresh pizza	Metal tray
3	Microwave pizza	Ceramic tray

## Pizza tips

- Check pizza before minimum time, pizza may cook faster compared to a traditional oven.
- For fresh pizza use a pizza paddle for sliding the pizza on and from the metal turntable.
- If using a pizza paddle, sprinkle the paddle liberally with cornmeal for ease in transferring the dough to the metal turntable.
- Maximum size is 12 inches for fresh and frozen pizzas.
- Avoid using a pizza stone as it can damage the oven.
- The metal turntable can be used for cutting pizza into slices. Remove the turntable from the oven after the pizza is baked.

## Setting Pizza mode for fresh or frozen pizza

You can set a temperature range from 375 to 450° F (190 to 230°C) for fresh and frozen pizza modes.

You can bake fresh or frozen pizza directly on the metal tray turntable.

1. Touch **Pizza**.
2. Touch **Pizza** repeatedly to scroll through all pizza modes.
3. Touch **Start/Enter +30 Seconds**.
4. You can change the temperature by using the number keys. And you also can change the cooking time by touching **TIME** and then touching number keys.
5. Touch **Start/Enter +30 Seconds** to confirm.

The appliance starts preheating.

The set temperature is reached once the preheat bar has filled up completely and a beep sounds.

## Opening appliance door during operation

Opening the appliance door during operation will interrupt the current mode. Close the appliance door and then touch **Start/Enter +30 Seconds** to resume operation.

## Setting Pizza mode for microwave pizza

Place the microwave pizza on the ceramic tray and put it in the oven following package directions.

1. Touch **Pizza**.
2. Touch **Pizza** repeatedly until “**MICROWAVE PIZZA**” is displayed.
3. Touch **Start/Enter +30 Seconds** The appliance starts sensing.
4. When sensing is complete, a beep will sound and the calculated cook time will start to count down.

**Note: Do not open the door during the sensing process, or the program will be cancelled.**

Once the calculated cook time is displayed, you can open the door to stir, turn or rearrange the food. Touch **Start/Enter +30 Seconds** to resume operation.

## Opening appliance door during operation

Opening the appliance door during operation will interrupt the current mode. Close the appliance door and then touch **Start/Enter +30 Seconds** to resume operation.

# 12. Sensor cooking

You can select two sensor cooking modes. Sensor cooking allows you to cook many of your favorite foods without selecting cooking times and power levels. The microwave oven automatically determines the required cooking time for each food item.

For best results for cooking by sensor, follow these recommendations:

- Food cooked with the sensor system should start from normal storage temperature.
- Turntable tray, ceramic tray and outside of container should be dry.
- Foods should always be covered loosely with microwavable plastic wrap, wax paper or lid.
- Do not open the door or touch **Clear/Off** key during sensing time. When sensing time is over, the oven beeps once and the remaining cooking time will appear in the display. **At this time you can open the door to stir, turn or rearrange the food.**

## Sensor Reheat

The Sensor Reheat feature lets you reheat dinner plates or casseroles (8-16 oz.) for your cooking convenience.

### Setting Sensor Reheat

1. Touch **Sensor Reheat**.
2. Touch **Start/Enter +30 Seconds**.

**sensing** is displayed. The microwave operates during sensing.

3. When sensing is complete, a beep will sound and the calculated cook time will start to count down.

**Note: Do not open the door during the sensing process, or the program will be cancelled.**

Once the calculated cook time is displayed, you can open the door to stir, turn or rearrange the food. Touch **Start/Enter +30 Seconds** to resume operation.

When sensor reheat is finished, a beep will sound.

### Notes

- Cover with vented plastic wrap or wax paper.
- Reheat food on a microwaveable dinner plate.

### Reheat cooking suggestions

Food	Directions	Quantity
Dinner plate	Use only pre-cooked, refrigerated foods. Cover plate with vented plastic wrap or waxed paper, tucked under plate. If food is not hot enough after heating with the Reheat feature, continue heating using manual time and power level setting. Contents: <ul style="list-style-type: none"><li>• 3-4 oz. meat, poultry or fish (up to 6 oz. with bone)</li><li>• 1/2 cup starch (potatoes, pasta, rice, etc.)</li><li>• 1/2 cup of vegetables (about 3-4 oz.)</li></ul>	1 serving (1 plate)
Casserole, Pasta	Cover plate with lid or vented plastic wrap. If food is not hot enough after heating with the Reheat feature, continue heating using manual time and power level setting. Stir foods once before serving. Contents: <ul style="list-style-type: none"><li>• Casserole: refrigerated foods (such as beef stew or lasagna)</li><li>• Pasta: Canned spaghetti and ravioli, refrigerated foods</li></ul>	1 to 4 servings

## Sensor Cook

Sensor Cook allows you to cook many of your favorite foods without selecting cooking times and power levels. The microwave oven automatically determines the required cooking time for each food item.

### Setting Sensor Cook

**Example:** Set Sensor Cook for Ground Meat.

1. Touch **Sensor Cook**.
2. Touch **Sensor Cook** repeatedly to select Ground Meat.
3. Touch **Start/Enter +30 Seconds**.

The program will start sensing with the microwave operating.

### Sensor Cook programs

Sensor Cook Program	Quantity	Cooking tips
1 - Baked Potato	1 - 4 potatoes (8 - 32 oz.)	Pierce skin with a fork. Do not cover. After cooking, allow to stand wrapped in foil for 5 minutes.
2 - Ground Meat	8 - 24 oz. (0.5 - 1.5 lbs)	After cooking, allow to stand, covered, for 3 - 4 minutes.
3 - Fresh Vegetables	4 - 16 oz. (0.25 - 1 lbs)	No water is needed if vegetables have just been washed. Add 2 tablespoons water per 8 ounces of fresh vegetables.
4 - Fish/Seafood	8 - 20 oz. (0.5 - 1.25 lbs)	Roll thin edges underneath. Arrange in a ring around microwaveable dish.
5 - Frozen Entrees	10 - 20 oz.	Follow package instructions for venting, cutting plastic film, etc.

When sensing is complete, a beep will sound and the calculated cook time will start to count down.

**Note: Do not open the door during the sensing process, or the program will be cancelled.**

Once the calculated cook time is displayed, you can open the door to stir, turn or rearrange the food. Touch **Start/Enter** to resume operation.

+30 seconds

When sensor cook is finished a beep will sound.

### Opening appliance door during operation

Opening the appliance door during operation will interrupt the current mode. Close the appliance door and then touch **Start/Enter +30 Seconds** to resume operation.

### Cancel operation

Touch **Clear/Off** to cancel the active oven mode.

The cooling fans may continue to run for awhile and then switch off automatically.

## 13. Broil

The Broil feature uses intense heat radiated from the upper element.

You can set two intensity levels:

- Broil high
- Broil low

### Setting Broil mode

The appliance must be turned off.

1. Touch **Broil HIGH-LOW**.
2. Touch **Broil HIGH-LOW** again, to change to Broil low mode.
3. Enter the desired cooking time with the number keys.
4. Touch **Start/Enter +30 Seconds** to start operation.

**Note:** Always use a broil pan when cooking in Broil mode (see optional accessories).

### Opening appliance door during operation

Opening the appliance door during operation will interrupt the current mode. Close the appliance door and then touch **Start/Enter +30 Seconds** to resume operation.

### Cancel operation

Touch **Clear/Off** to cancel the operation.

The cooling fans may continue to run for a while and then switch off automatically.

## 14. Setting the time-setting options

Your oven has various time-setting options. You can use the **Clock** key to call up the menu and switch between the individual functions.

### Setting the cooking time

The cooking time for your meal can be set on the oven. When the cooking time has elapsed, the oven switches itself off automatically. This means that you do not have to interrupt other work to switch off the oven. The cooking time cannot be accidentally exceeded.

The oven starts. The cooking time counts down in the display.

### The cooking time has elapsed

An audible signal sounds. The oven stops heating.

### Setting the clock

1. Touch **Clock**.
2. Enter the correct time using the number keys.  
Example: To set the clock to 12:41 type in 1 2 4 1.
3. Touch **Start/Enter +30 Seconds** to confirm.

### Changing the clock

1. Touch **Clock** in standby mode.
2. Enter the correct time using the number keys.
3. Touch **Start/Enter +30 Seconds** to confirm.

## 15. Childproof lock

The oven has a childproof lock to prevent children switching it on accidentally.

The oven will not react to any settings. The timer and clock can also be set when the childproof lock has been switched on.

### Switching on the childproof lock

Requirement: No cooking time should be set .

Touch and hold the **Panel lock** key for approx. 3 seconds.

The lock symbol appears in the display. The childproof lock is activated.

### Switching off the childproof lock

Touch and hold the **Panel lock** key for approx. 3 seconds.

The lock symbol on the display goes out. The childproof lock is deactivated.

### Childproof lock with other cooking operations


When other cooking programmes have been set, the childproof lock is not operational.

# Care and cleaning


With careful care and cleaning your microwave oven will retain its looks and remain good order. We will explain here how you should care for and clean your appliance correctly.

 Risk of electric shock.!

Penetrating moisture may cause an electric shock. Do not use any high-pressure cleaners or steam cleaners.

 Risk of burns!

Never clean the appliance immediately after switching off. Let the appliance cool down.

 Risk of serious damage to health!

Microwave energy may escape if the cooking compartment door or the door seal is damaged. Never use the appliance if the cooking compartment door or the door seal is damaged. Contact the after-sales service.

## Notes

- Slight differences in colour on the front of the appliance are caused by the use of different materials, such as glass, plastic and metal.
- Shadows on the door panel which look like streaks, are caused by reflections made by the oven light.
- Unpleasant odours, e.g. after fish has been prepared, can be removed very easily. Add a few drops of lemon juice to a cup of water. Place a spoon into the container as well, to prevent delayed boiling. Heat the water for 1 to 2 minutes at maximum microwave power.

## Cleaning agents

To ensure that the different surfaces are not damaged by using the wrong cleaning agent, observe the information in the table. Do not use

- sharp or abrasive cleaning agents,
- metal or glass scrapers to clean the glass in the appliance door.
- metal or glass scrapers to clean the door seal,
- hard scouring pads and sponges,
- cleaning agents with high concentrations of alcohol.

Wash new sponge cloths thoroughly before use.

Allow all surfaces to dry thoroughly before using the appliance again.

Area	Cleaning agents
Appliance front	Hot soapy water: Clean with a dish cloth and dry with a soft cloth. Do not use glass cleaners or metal or glass scrapers for cleaning.
Appliance front with stainless steel	Hot soapy water: Clean with a dish cloth and dry with a soft cloth. Remove flecks of limescale, grease, starch and albumin (e.g. egg white) immediately. Corrosion can form under such residues. Special stainless steel cleaning agents can be obtained from the after-sales service or from specialist shops. Do not use glass cleaners or metal or glass scrapers for cleaning.
Cooking compartment	Hot soapy water or a vinegar solution: Clean with a dish cloth and dry with a soft cloth. If the oven is very dirty: Do not use oven spray or other aggressive oven cleaners or abrasive materials. Scouring pads, rough sponges and pan cleaners are also unsuitable. These items scratch the surface. Allow the interior surfaces to dry thoroughly.
Recess in cooking compartment	Damp cloth: Ensure that no water seeps through the turntable drive into the appliance interior.
Wire racks	Hot soapy water: Clean using stainless steel cleaning agent or in the dishwasher.
Door panels	Glass cleaner: Clean with a dish cloth. Do not use a glass scraper.
Seal	Hot soapy water: Clean with a dish cloth, do not scour. Do not use a metal or glass scraper for cleaning.

## Malfunction table



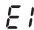

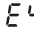
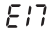
Malfunctions often have simple explanations. Please refer to the malfunction table before calling the after-sales service.

If a meal does not turn out exactly as you wanted, refer to the Expert Cooking Guide section, where you will find plenty of cooking tips and tricks.

 Risk of electric shock!

Incorrect repairs are dangerous. Repairs may only be carried out by one of our trained after-sales engineers.

### Malfunction table

Problem	Possible cause	Remedy/information
The appliance does not work.	Faulty circuit breaker.	Look in the fuse box and check that the circuit breaker for the appliance is in working order.
	Plug not plugged in.	Plug in the plug.
	Power cut	Check whether the kitchen light works.
The appliance does not work.  appears in the display panel.	Childproof lock is active.	Deactivate the childproof lock (see section: Childproof lock).
 is in the display panel.	Power cut	Reset the clock.
The microwave does not switch on.	Door not fully closed.	Check whether food residue or debris is trapped in the door.
It takes longer than before for the food to heat up in the microwave	The selected microwave power level is too low.	Select a higher power level.
	A larger amount than usual has been placed in the appliance.	Double the amount = almost double the cooking time.
	The food was colder than usual.	Stir or turn the food during cooking.
Turntable grates or grinds.	Dirt or debris in the area around the turntable drive.	Clean the rollers under the turntable and the recess in the oven floor thoroughly.
A particular operating mode or power level cannot be set.	The temperature, power level or combined setting is not possible for this operating mode.	Choose permitted settings.
 appears in the display panel.	The thermal safety switch-off function has been activated.	Call the after-sales service.
 appears in the display panel.	The thermal safety switch-off function has been activated.	Call the after-sales service.
 appears in the display panel.	Moisture in the control panel.	Allow the control panel to dry.
 appears in the display panel.	Rapid heating has failed.	Call the after-sales service.

## Acrylamide in foodstuffs

Which foods are affected?

Acrylamide is mainly produced in grain and potato products that are heated to high temperatures, such as potato crisps, chips,

toast, bread rolls, bread, fine baked goods (biscuits, gingerbread, cookies).

Tips for keeping acrylamide to a minimum when preparing food	
General	Keep cooking times to a minimum. Cook meals until they are golden brown, but not too dark. Large, thick pieces of food contain less acrylamide.
Baking biscuits Oven chips	Max. 200 °C in Top/bottom heating or max. 180 °C in 3D hot air or hot air mode. Max. 190 °C in Top/bottom heating or max. 170 °C in 3D hot air or hot air mode. Egg white and egg yolk reduce the formation of acrylamide. Distribute thinly and evenly over the baking tray. Cook at least 400 g at once on a baking tray so that the chips do not dry out.

# Energy and environment tips

Here you can find tips on how to save energy when baking and roasting and how to dispose of your appliance properly.

## Saving energy

- Only preheat the oven if this is specified in the recipe or in the operating instruction tables.
- Use dark, black lacquered or enamelled baking tins. They absorb the heat particularly well.
- Open the oven door as infrequently as possible while you are cooking, baking or roasting.
- It is best to bake several cakes one after the other. The oven is still warm. This reduces the baking time for the second cake. You can also place two loaf tins next to each other.

- For longer cooking times, you can switch the oven off 10 minutes before the end of the cooking time and use the residual heat to finish cooking.

## Environmentally-friendly disposal

Dispose of packaging in an environmentally-friendly manner.



This appliance complies with European Directive 2002/96/EC on Waste Electrical and Electronic Equipment (WEEE). The directive gives a framework for the collection and recycling of old appliances, which is valid across the EU.

# Expert Cooking Guide

The charts can be used as a guide. Follow package or recipe directions.

## Broil

Place pan of food on the wire rack with the recess facing up.

Food	Oven temperature	Cooking time (minutes)	Internal temperature	Cooking tip / Procedure
Hamburgers, 3/4" to 1", medium	High	Side 1: 9 - 11 Side 2: 10 - 12	160°F (71°C)	Use pan that allows fat to drain away from the food. High fat meat causes more spattering.
Lamb chops, 1", medium	High	Side 1: 9 - 11 Side 2: 10 - 12	160°F (71°C)	Use pan that allows fat to drain away from the food. Slit fat to prevent curling.
Sausage, fresh	High	Side 1: 9 - 11 Side 2: 8 - 10	160°F (71°C)	Use pan that allows fat to drain away from the food.
Steaks, 3/4" to 1", medium rare	High	Side 1: 9 - 11 Side 2: 10 - 12	145°F (63°C)	Use pan that allows fat to drain away from the food. Slit fat to prevent curling.
Steaks, 3/4" to 1", medium	High	Side 1: 9 - 11 Side 2: 10 - 12	160°F (71°C)	Use pan that allows fat to drain away from the food. Slit fat to prevent curling.
Toasting bread	Low	3 - 5	-	Check at minimum time.
Top browning casseroles	Low	3 - 5	-	Use only metal or glass ceramic dishes such as Corning Ware®

## Convection Broil

Place pans of food on the wire rack with the recess facing up.

Food	Oven temperature	Cooking time (minutes)	Internal temperature	Cooking tip / Procedure
Chicken breasts, bone-in	Low	Side 1: 9 - 11 Side 2: 10 - 12	170°F (76°C)	Start breast side down.
Fish filets, 3/4" to 1"	Low	11 - 15	145°F (63°C)	No turning of fish. Turn thin ends under. Brush with olive oil or butter to prevent sticking.

## Convection

Preheat the oven before adding foods. Once the oven is preheated, place the food in the oven quickly to minimize

loss of heat. Place pans of food on the wire rack with the recess facing down.

Food	Oven temperature	Cooking time (minutes)	Cooking tip / Procedure
Biscuits	350°F (175°C)	13 - 20	A dark or dull baking sheet will result in a browner, crisper crust.
Cake, 13"x9"	350°F (175°C)	23 - 28	For a tender, light golden brown crust, use light, shiny metal bakeware.
Cookies	350 - 375°F (175 - 190°C)	8 - 14	A dark or dull baking sheet will result in a browner, crisper crust.
Cornbread	425 - 450°F (220 - 230°C)	25 - 30	Use a square baking pan.
Cupcakes	350°F (175°C)	18 - 21	Ideal for ready-made mixes. Prepare according to package directions.
Dinner rolls	400°F (205°C)	12 - 18	Use with fresh or frozen dinner rolls.
Fresh fruit pie	375°F (190°C)	50 - 60	A dark or dull baking pie pan will result in a browner, crisper crust.
Muffins	400°F (205°C)	10 - 18	Ideal for ready-made mixes. Prepare according to package directions.
Roasted vegetables	425 - 450°F (220 - 230°C)	15 - 20	Use dark or dull metal pan. Stir once.
Shortcakes	450°F (230°C)	10 - 18	Best for individual shortcakes. Use dark coated pan.

### Cooking eggs in your microwave

- Never cook eggs in the shell and never warm hard-cooked eggs in the shell; they can explode.
- Always pierce yolk on whole eggs to keep them from bursting.
- Cook eggs just until set; they will become tough if overcooked.
- Cooking scrambled eggs is safe.

### Cooking vegetables in your microwave

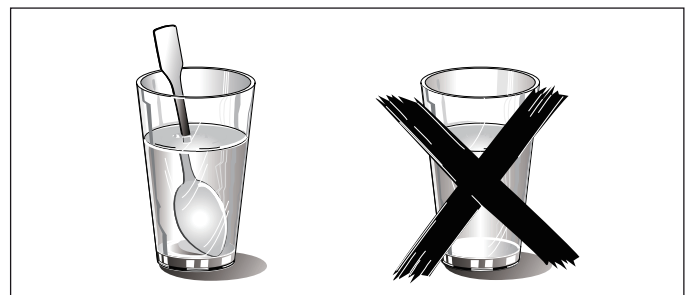
- Vegetables should be washed just before cooking. Rarely is extra water needed. If dense vegetables such as potatoes or carrots are being cooked, add about ¼ cup of water.
- Small vegetables (sliced carrots, peas, lima beans, etc.) will cook faster than larger vegetables.
- Whole vegetables, such as potatoes, acorn squash or corn on the cob, should be arranged in a circle on the turntable before cooking. They will cook more evenly if turned over halfway through cooking.

- Always place vegetables like asparagus and broccoli with the stem ends pointing towards the edge of the dish and the tips toward the center.
- When cooking cut vegetables, always cover the dish with a lid or vented microwavable plastic wrap.
- Whole, unpeeled vegetables such as potatoes, sweet potatoes, squash, eggplant, etc., should have their skin pricked in several locations before cooking to prevent them from bursting.
- For more even cooking, stir or rearrange whole vegetables halfway through the cook time.
- Most of the time, the denser the food, the longer the required standing time. For example, a baked potato should stand for 5 minutes before serving, while a dish of peas may be served immediately.

#### Heating food

 Risk of scalding!

There is a possibility of delayed boiling when a liquid is heated. This means that the liquid reaches boiling temperature without the usual steam bubbles rising to the surface. Even if the container only moves a little, the hot liquid can suddenly boil over and spatter. When heating liquids, always place a spoon in the container. This will prevent delayed boiling.



## Cooking seafood in your microwave

Be sure to place fish on a microwave-safe roasting rack in a microwave-safe dish. Be sure to always cook fish until it flakes easily with a fork. Use a tight cover to steam

fish; a lighter cover of wax paper or paper towel provides less steaming. And be sure not to overcook fish; check it for doneness at a minimum cooking time before cooking longer.

Seafood	Power level	Cook time	Directions
Fish steaks up to 1½ lbs	medium high (7)	7–11 min. /lb	Arrange fish on roasting rack with meaty portions towards the outside of rack. Cover with wax paper. Turn over and rearrange halfway through cook time. Cook until fish flakes easily with fork. Let stand 3–5 mins.
Fish fillets up to 1½ lbs.	medium high (7)	7–11 min. /lb	Arrange fillets in a baking dish, turning any thin pieces under. Cover with wax paper. If over ½ inch thick, turn over and rearrange halfway through cook time. Cook until fish flakes easily with fork. Let stand 2–3 mins.
Shrimp up to 1½ lbs.	medium high (7)	7–11 min. /lb	Arrange shrimp in a baking dish without overlapping or layering. Cover with wax paper. Cook until firm and opaque, stirring 2 or 3 times. Let stand 5 mins.

## Cleaning and Maintenance

### 9 WARNING

Be sure the entire appliance has cooled and grease has solidified before attempting to clean any part of the appliance.

with a soft cloth and warm (not hot) mild detergent solution. Then rinse and wipe completely dry.

- Wipe spatters immediately with a wet paper towel, especially after cooking greasy foods like chicken or bacon.
- Clean your microwave oven weekly or more often, if needed.
- Never operate the microwave oven without food in the oven cavity, unless pre-heating with Convection, Pizza, Frozen Foods and Keep Warm mode; this can damage the magnetron tube or ceramic tray. You may wish to leave a cup of water standing inside the oven when it is not in use to prevent damage if the oven is accidentally turned on.

### Cleaning Guide

- For best performance and for safety reasons, keep the oven clean inside and outside. Take special care to keep the inner door panel and oven front frame free of food and grease build-up.
- Never use abrasive scouring powder or pads on the microwave. Wipe the microwave oven inside and out

Part	Recommendations
Oven cavity	Keep inside (cavity) of the oven clean. Food particles and spilled liquids can stick to the oven walls, causing the oven to work less efficiently. Wipe up spills immediately. Use a damp, clean cloth and mild soap. DO NOT use harsh detergents or abrasive cleaners. To help loosen baked-on food particles or liquids, heat 2 cups of water (add the juice of 1 lemon if you desire to keep the oven fresh smelling) in a 4 cup measuring glass at High power for 5 minutes or until boiling. Let stand in oven cavity for 1 or 2 minutes. For baked-on grease spatters, wash with hot, soapy water, rinse and dry.
Wire rack	Wash with soapy water. Rinse thoroughly and dry, or gently rub with cleansing powder or soap-filled pads as directed. The wire rack can also be washed in the dishwasher.
Metal turntable tray	Remove metal turntable tray from the oven when cleaning the oven cavity and tray. Wash the metal turntable tray in warm sudsy water or in the dishwasher.
Ceramic tray	Clean with warm, soapy water or in the dishwasher.
Door seal	Wipe with damp cloth.

Part	Recommendations
Door glass	<p>Wash with soap and water or glass cleaner. Apply Fantastik® or Formula 409® to a clean sponge or paper towel and wipe clean. Avoid using powder cleaning agents, steel wool pads and oven cleaners.</p> <p>If steam accumulates inside or outside the oven door, wipe with a soft cloth. Steam can accumulate when operating the oven in high humidity and in no way indicates microwave leakage.</p>
Painted surfaces	<p>Clean with hot soapy water or apply Fantastik® or Formula 409® to a clean sponge or paper towel and wipe clean. Avoid using powder cleaning agents, steel wool pads and oven cleaners.</p>
Stainless steel surfaces/exterior surfaces	<p>Always wipe or rub in the direction of the grain. Clean with a soapy sponge, then rinse and dry, or wipe with Fantastik® or Formula 409® spray on a paper towel. Protect and polish with Stainless Steel Magic® and a soft cloth. Remove water spots with a cloth dampened with white vinegar.</p>
Plastic & Controls	<p>When cool, clean with soapy water, rinse and dry.</p>
Printed areas (words & numbers)	<p>Do not use abrasive cleaners or petroleum based solvents.</p>

## **Warranty**

---

### **What this limited warranty covers:**

The Warranty coverage provided by Forno Appliances in this statement applies exclusively to the original Forno appliance (“Product”) sold to the consumer (“Purchaser”) by an authorized Forno dealer/distributor/retailer, purchased and installed in the United States or Canada, and which has always remained within the original country of purchase (the United States or Canada). Warranty coverage is activated on the date of the Product’s original retail purchase and has a duration of two (2) years.

Warranty coverage is non-transferable. In the event of replacement of parts or of the entire product, the replacement Product (or parts) shall assume the remaining original Warranty activated with the original retail purchase document. This Warranty shall not be extended with respect to such replacement. Forno Appliances will repair or replace any component/part which fails or proves defective due to materials and/or workmanship within 2 years of the date of the original retail purchase and under conditions of ordinary residential, non-commercial use. Repair or replacement will be free of charge, including labor at standard rates and shipping expenses. Purchaser is responsible for making the Product reasonably accessible for service. Repair service must be performed by a Forno Authorized Service company during normal working hours.

### **Important**

Retain proof of original purchase to establish warranty period. Forno’s liability on any claim of any kind, with respect to the goods and/or services provided, shall in no event exceed the value of the goods or service or part there of which has given rise to the claim.

### **30-Day Cosmetic Warranty**

The Purchaser must inspect the product at the time of delivery. Forno warrants that the Product is free from manufacturing defects in materials and workmanship for a period of thirty (30) days from date of the original retail purchase of the Product.

This coverage includes:

- Paint blemishes
- Chips
- Macroscopic finish defects

### **Cosmetic warranty does NOT cover:**

- Issues resulting from incorrect transport, handling and/or installation (e.g.: dents, broken, warped or deformed structures or components, cracked or otherwise damaged glass components);
- Slight color variations on painted/enamelled components;
- Differences caused by natural or artificial lighting, location or other analogous factors; > stains/corrosion/discoloration caused by external substances and/or environmental factors; > labor costs, display, floor, B-stock, out- of-box, “as is” appliances and demo units.

### **How to receive service**

To receive warranty services, the Purchaser must contact the Forno Support department in order to determine the problem and the required service procedures. Troubleshooting with a customer service representative will be necessary before moving forward with the service. Model number, serial number and date of original retail purchase will be requested.

## Warranty (Continued)

---

### Warranty Exclusions: What Is Not Covered.

- Use of the Product in any non-residential, commercial application.
- Use of the Product for anything other than its intended purpose.
- Repair services provided by anyone other than a Forno Authorized Service agency.
- Damages or repair services to correct services provided by unauthorized parties or the use of unauthorized parts.
- Installation not in accordance with local/state/city/county fire codes, electrical codes, gas codes, plumbing codes, building codes, laws or regulations.
- Defects or damage due to improper storage of the Product.
- Defects, damage or missing parts on products sold out of the original factory packaging or from displays.
  - > Service calls or repairs to correct an incorrect installation of the Product and/or related accessories.
- Replacement of parts/service calls to connect, convert or otherwise repair the electrical wiring and/or gas line in order to properly use the product.
- Replacement of parts/service calls to provide instructions and information on the use of the Product.
- Replacement of parts/service calls to correct issues arising from the product being used in a manner other than what is normal and customary for residential use.
- Replacement of parts/service calls due to wear and tear of components such as seals, knobs, pan supports, shelving, cutlery baskets, buttons, touch displays, scratched or broken ceramic-glass tops.
- Replacement of parts/service calls for lack of/improper maintenance, including but not limited to: build up of residues, stains, scratches, discoloration, corrosion.
- Defects and damages arising from accidents, alteration, misuse, abuse or improper installation.
- Defects and damages arising from Product transport, logistics and handling. Inspection of the product must be made at time of delivery. Following receipt and inspection, the selling dealer/delivery company must be notified of any issues arising from handling, transport and logistics.
- Defects and damages arising from external forces beyond the control of Forno Appliances, including
  - but not limited to wind, rain, sand, fires, floods, mudslides, freezing temperatures, excessive moisture or extended exposure to humidity, power surges, lightning, structural failures surrounding the appliance and other acts of God.
- Products whose serial number has been altered/damaged/tampered with. In no case shall Forno be held liable or responsible for damage to surrounding property, including furniture, cabinetry, flooring, panels, and other structures surrounding the Product. Forno is neither liable nor responsible for the Product if it is located in a remote area or an area where certified trained technicians are not reasonably available. Purchaser must bear any transportation and delivery costs of the Product to the nearest Authorized Service Center or the additional travel expenses of a certified trained technician

THERE ARE NO EXPRESS WARRANTIES OTHER THAN THOSE LISTED AND DESCRIBED ABOVE, AND NO WARRANTIES, EITHER EXPRESS OR IMPLIED, INCLUDING, BUT NOT LIMITED TO, ANY IMPLIED WARRANTIES OF MERCHANTABILITY OR FITNESS FOR A PARTICULAR PURPOSE THAT SHALL APPLY AFTER THE EXPRESS WARRANTY PERIODS STATED ABOVE, AND NO OTHER EXPRESS WARRANTY OR GUARANTEE GIVEN BY ANY PERSON, FIRM OR CORPORATION WITH RESPECT TO THIS PRODUCT SHALL BE BINDING ON FORNO. FORNO SHALL NOT BE LIABLE FOR LOSS OF REVENUE OR PROFITS, FAILURE TO REALIZE SAVINGS OR OTHER BENEFITS, TIME AWAY FROM WORK, MEALS, LOSS OF FOOD OR BEVERAGES, TRAVELING OR HOTEL EXPENSES, EXPENSES TO RENT OR PURCHASE APPLIANCES, REMODELING/CONSTRUCTION EXPENSES IN EXCESS OF DIRECT DAMAGES WHICH ARE UNDENIABLY CAUSED EXCLUSIVELY BY FORNO OR ANY OTHER SPECIAL, INCIDENTAL OR CONSEQUENTIAL DAMAGES CAUSED BY THE USE, MISUSE OR INABILITY TO USE THIS PRODUCT, REGARDLESS OF THE LEGAL THEORY ON WHICH THE CLAIM IS BASED, AND EVEN IF FORNO HAS BEEN ADVISED OF THE POSSIBILITY OF SUCH DAMAGES. NOR SHALL RECOVERY OF ANY KIND AGAINST FORNO BE GREATER IN AMOUNT THAN THE PURCHASE PRICE OF THE PRODUCT SOLD BY FORNO AND CAUSING THE ALLEGED DAMAGE. WITHOUT PREJUDICE TO THE FOREGOING, PURCHASER ASSUMES ALL RISK AND LIABILITY FOR LOSS, DAMAGE OR INJURY TO PURCHASER AND PURCHASER'S PROPERTY AND TO OTHERS AND THEIR PROPERTY ARISING FROM THE USE, MISUSE, OR INABILITY TO USE THIS PRODUCT SOLD BY FORNO THAT IS NOT A DIRECT RESULT OF NEGLIGENCE ON THE PART OF FORNO THIS LIMITED WARRANTY SHALL NOT EXTEND TO ANYONE OTHER THAN THE ORIGINAL PURCHASER OF THIS PRODUCT, IS NON-TRANSFERABLE, AND STATES YOUR EXCLUSIVE REMEDY.



Customer Support: Call 1-866-231-8893 or email: [info@forno.ca](mailto:info@forno.ca)



## MICRO-ONDES ENCASTRÉES - FOUR À CONVECTION

NUMÉRO DE MODÈLE SÉRIE

FMWDR3093-30 | FMWDR3093-30BLK | FMWDR3093-30WHT

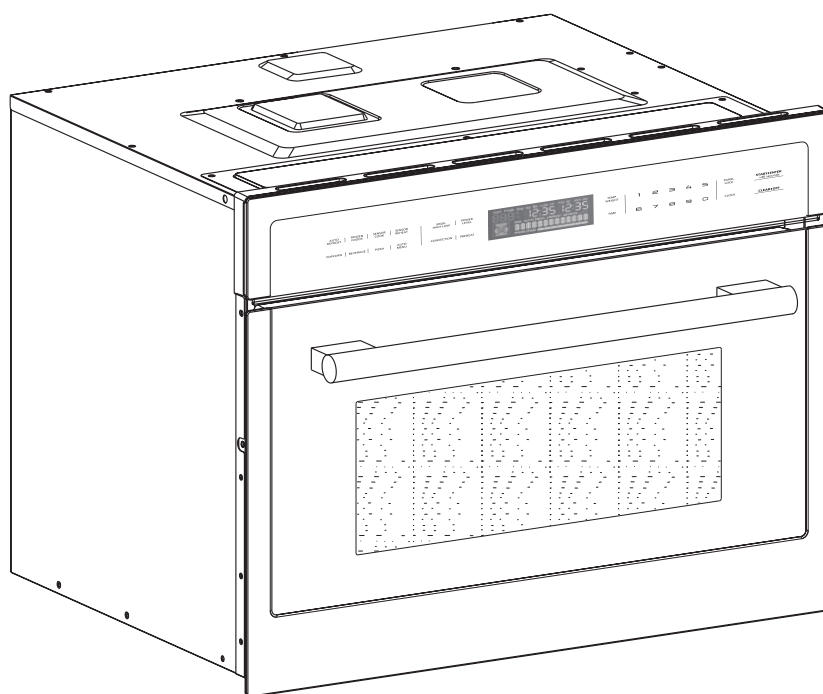
# MANUEL D'INSTRUCTIONS

Lisez attentivement ces instructions avant d'utiliser votre micro-ondes et conservez-les soigneusement. Si vous suivez les instructions, votre micro-ondes vous offrira de nombreuses années de bon service.

## TABLE DES MATIÈRES

Service clientèle	4
Avertissement	5
Consignes de sécurité importantes	6
Noms des pièces et accessoires	7
Instructions de mise à la terre	8
Interférences radio	8
<b>Ustensiles de cuisine :</b> .....	8
• Matériaux Utilisables Au Micro-ondes .....	9
• Matériaux À Éviter Dans Les Micro-ondes .....	9
Causes des dommages	10
<b>Cause du dommage, dimensions et conditions d'installation</b>	10
• Connexion électrique .....	11
• Liste de colisage.....	12
Fonctions principales	13
<b>Opération :</b> .....	14
• Réglage de l'horloge.....	14
• Réglage du four.....	14
• Préchauffage.....	14
• Niveau de puissance.....	15
• Réglage du micro-ondes.....	15
• Cuisson express .....	15
• Annulation de l'opération.....	16
• Cuisson rapide au micro-ondes.....	16
• Cuisson en plusieurs étapes.....	16
• Programmes automatiques.....	16
• Programmes de décongélation.....	16
• Popcorn.....	17
• Boisson .....	17
• Aliments surgelés Utilisez .....	17
• Pizza.....	18
• Cuisson par capteur .....	19
• Griller (Broil) .....	21
• Réglage des options de réglage de l'heure.....	21
• Verrouillage pour la sécurité des enfants.....	22
Entretien et nettoyage	23
Tableau des pannes	24
Acrylamide dans les aliments	24
Conseils énergétiques et environnementaux	25
Guide expert de cuisson	25
Nettoyage et maintenance	27
Garantie	30

## MICRO-ONDES ENCASTRÉES - FOUR À CONVECTION



**NUMÉRO DE MODÈLE SÉRIE**  
**FMWDR3093-30 | FMWDR3093-30BLK | FMWDR3093-30WHT**

## Service clientèle

Merci d'avoir acheté un produit Forno. Veuillez lire l'intégralité du manuel d'instructions avant d'utiliser votre nouvel appareil pour la première fois. Que vous soyez un utilisateur occasionnel ou un expert, il vous sera utile de vous familiariser avec les pratiques de sécurité, les caractéristiques, le fonctionnement et les recommandations d'entretien de votre appareil.

Le modèle et le numéro de série sont indiqués à l'intérieur du produit. Pour les besoins de la garantie, vous aurez également besoin de la date d'achat.

Notez ces informations ci-dessous pour référence ultérieure.

### Informations sur le produit

Numéro de modèle : \_\_\_\_\_

Numéro de série : \_\_\_\_\_

Date d'achat : \_\_\_\_\_

Purchase Address And Phone : \_\_\_\_\_

\_\_\_\_\_

\_\_\_\_\_

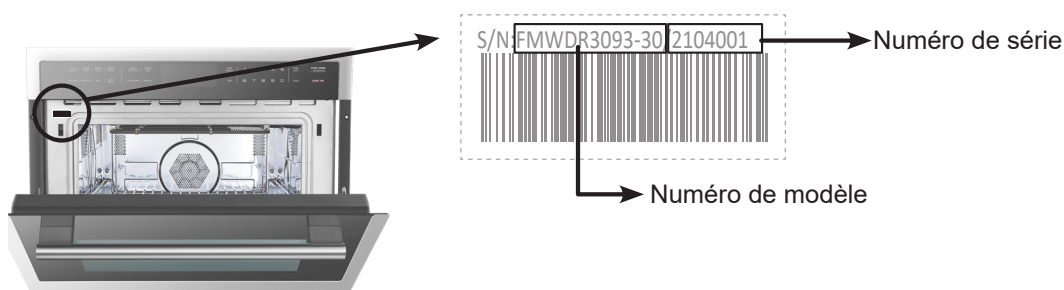
### Informations sur les services

Utilisez ces numéros dans toute correspondance ou appel de service concernant votre produit.

Si vous avez reçu un produit endommagé, contactez immédiatement Forno.

Pour gagner du temps et de l'argent, consultez le guide de dépannage avant de faire appel à un service d'entretien. Il énumère les causes des problèmes mineurs de fonctionnement que vous pouvez corriger vous-même.

### Emplacement du modèle et du numéro de série



*"Besoin d'une aide rapide ? Il suffit de scanner le code qr pour accéder à notre formulaire d'assistance rapide. Nous sommes toujours à votre disposition pour répondre à vos questions ou à vos préoccupations. N'hésitez donc pas à nous contacter !"*

### Services au Canada et aux États-Unis

Gardez le manuel d'instructions à portée de main pour répondre à vos questions. Si vous ne comprenez pas quelque chose ou si vous avez besoin de plus d'aide, veuillez consulter notre site web pour une assistance rapide. Veuillez nous fournir vos nom, numéro, adresse, numéro de série du produit en panne, la preuve d'achat et une brève description du problème. Un représentant du service clientèle vous contactera dès que possible. Toute intervention sous garantie doit être autorisée par le service clientèle de FORNO. Tous nos prestataires de services agréés sont soigneusement sélectionnés et rigoureusement formés par nos soins.



## **AVERTISSEMENT**

POUR VOTRE SÉCURITÉ

### PRÉCAUTIONS À PRENDRE POUR ÉVITER UNE ÉVENTUELLE EXPOSITION À UNE ÉNERGIE HYPERFRÉQUENCE EXCESSIVE

(a) N ' essayez PAS de faire fonctionner ce four à micro-ondes avec la porte ouverte, car l'opération peut entraîner une exposition nocive à l'énergie des micro-ondes. Il est important de ne pas neutraliser ou altérer les verrouillages de sécurité.

(b) **NE PAS** placer d'objet entre la face avant du micro-ondes et la porte ou permettre l'accumulation de salissures ou de résidus de nettoyant sur les surfaces d'étanchéité.

(c) **Ne pas** faire fonctionner le micro-ondes s'il est endommagé. Il est particulièrement important que la porte du four à micro-ondes se ferme correctement et qu'elle ne soit pas endommagée :

- (1) PORTE (pliée)
- (2) HINGES ET LOQUETS (cassés ou desserrés)
- (3) JOINTS DE PORTE ET SURFACE D'ÉTANCHÉITÉ

(d) Le four à micro-ondes ne doit pas être réglé ou réparé par une personne autre qu'un technicien qualifié.

#### SPÉCIFICATIONS

Modèle	<b>FMWDR3093-30</b> <b>FMWDR3093-30BLK</b> <b>FMWDR3093-30WHT</b>
Tension nominale	120 VAC, 60 Hz
Entrée micro-ondes	1750W
Sortie micro-ondes	1000W
Gril	1750W
Convection	1700W



**AVERTISSEMENT** : Ce produit peut vous exposer à des produits chimiques, notamment [le plomb, le plomb et le composé de plomb, qui sont connus de l'État de Californie pour provoquer des cancers et des malformations congénitales ou d'autres troubles de la reproduction. Pour plus d'informations, consultez le site [www.P65Warning.ca.gov](http://www.P65Warning.ca.gov).

## Consignes de sécurité importantes

Lors de l'utilisation d'appareils électriques, des précautions de base doivent être prises afin de réduire les risques de brûlures, d'électrocution, d'incendie, de blessures ou d'exposition à une énergie micro-onde excessive.

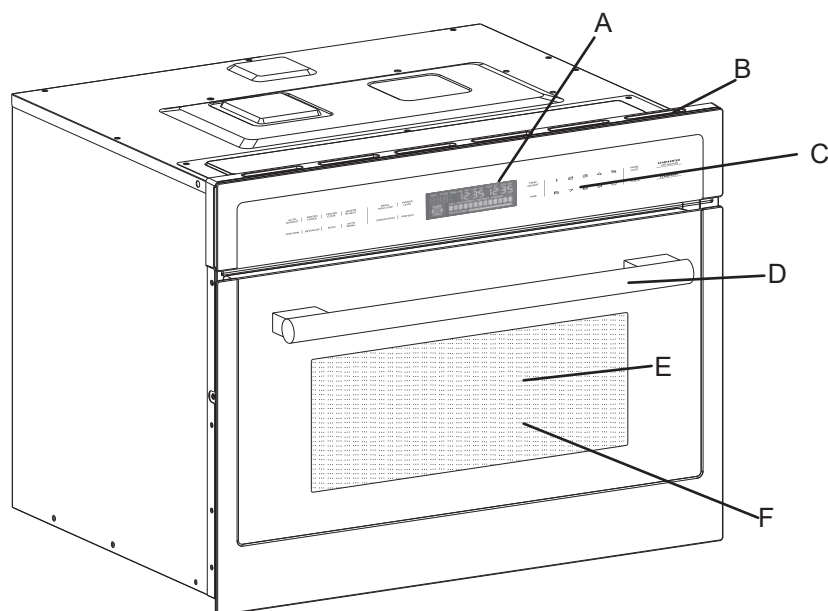
1. Lisez toutes les instructions avant d'utiliser l'appareil.
2. Lisez et suivez les instructions spécifiques : "PRÉCAUTIONS POUR ÉVITER UNE EXPOSITION POSSIBLE À L'ÉNERGIE EXCESSIVE DES MICRO-ONDES"
3. Cet appareil doit être mis à la terre. Ne brancher que sur une prise de courant correctement mise à la terre. Voir "INSTRUCTIONS DE MISE A LA TERRE".
4. N'installez ou ne placez cet appareil que conformément aux instructions d'installation fournies.
5. Certains produits tels que les œufs entiers et les récipients hermétiques - par exemple, les bocaux en verre fermés - sont susceptibles d'exploser et ne doivent pas être chauffés dans ce four à micro-ondes.
6. N'utilisez cet appareil que pour l'usage auquel il est destiné, tel qu'il est décrit dans le manuel. **NE PAS** utiliser des produits chimiques ou des vapeurs corrosives dans cet appareil. Ce type de micro-ondes est spécifiquement conçu pour chauffer, cuire ou sécher les aliments. Il n'est pas conçu pour une utilisation industrielle ou en laboratoire.
7. LES CONTENUS CHAUDS PEUVENT PROVOQUER DES BRÛLURES GRAVES. NE LAISSEZ PAS LES ENFANTS UTILISER LE MICRO-ONDES. Soyez prudent lorsque vous retirez des objets chauds.
8. **NE PAS** utiliser cet appareil si le cordon ou la fiche est endommagé, s'il ne fonctionne pas, s'il a été endommagé ou s'il est tombé.
9. Cet appareil ne doit être réparé que par un personnel qualifié. Contactez mysupport@forno.ca pour un examen, une réparation ou un réglage.
10. **NE PAS** couvrir ou bloquer les ouvertures de l'appareil.
11. **NE PAS** stocker cet appareil à l'extérieur. **NE PAS** utiliser ce produit à proximité de l'eau - par exemple, près d'un évier de cuisine, dans un sous-sol humide, près d'une piscine ou dans un endroit similaire.
12. Pour nettoyer les surfaces de la porte et du four à micro-ondes qui s'assemblent lors de la fermeture de la porte, utilisez uniquement des savons doux et non abrasifs ou un détergent appliqué à l'aide d'une éponge ou d'un chiffon doux.
13. Pour réduire le risque d'incendie dans la cavité du four à micro-ondes 1). **NE PAS** ne pas trop cuire les aliments. Surveillez attentivement l'appareil lorsque du papier, du plastique ou d'autres matériaux combustibles sont placés à l'intérieur du four à micro-ondes pour faciliter la cuisson. 2). Retirer les attaches en fil de fer du sac en papier ou en plastique avant de le placer dans le four à micro-ondes. 3). Si des matériaux à l'intérieur du micro-ondes s'enflamment, garder la porte du micro-ondes fermée, éteindre le micro-ondes et débrancher le cordon d'alimentation, ou couper l'alimentation au niveau du panneau des fusibles ou des disjoncteurs. 4). **NE PAS** utiliser la cavité à des fins de stockage. **NE PAS** laisser des produits en papier, des ustensiles de cuisine ou de la nourriture dans la cavité lorsqu'elle n'est pas utilisée.
14. Les liquides, tels que l'eau, le café ou le thé, peuvent être surchauffés au-delà du point d'ébullition sans avoir l'air de bouillir. Il n'y a pas toujours de bulles ou d'ébullition visibles lorsque le récipient est retiré du four à micro-ondes. CELA POURRAIT ENTRAÎNER LE DÉBORDEMENT SOUDAIN D'UN LIQUIDE TRÈS CHAUD LORSQUE LE RÉCIPIENT EST DÉRANGÉ OU QU'UN USTENSILE EST INSÉRÉ DANS LE LIQUIDE. Pour réduire les risques de blessures aux personnes : 1) **NE PAS** surchauffer le liquide. 2) Remuer le liquide avant et à mi-chemin du chauffage. 3) **NE PAS** utiliser des récipients à bords droits et à cols étroits. 4) Après le chauffage, laissez le récipient reposer dans le four à micro-ondes pendant une courte période avant de le retirer. 5) Soyez extrêmement prudent lorsque vous introduisez une cuillère ou un autre ustensile dans le récipient.
15. **NE PAS** faire fonctionner un appareil de chauffage ou de cuisson sous l'appareil.
16. **NE PAS** monter l'appareil au-dessus ou à proximité d'une partie d'un appareil de chauffage ou de cuisson.
17. Les aliments ou ustensiles métalliques surdimensionnés ne doivent pas être insérés dans un four à micro-ondes ou un grille-pain, car ils peuvent provoquer un incendie ou un risque d'électrocution.
18. Ne pas nettoyer avec des tampons à récurer métalliques. Les morceaux peuvent brûler le tampon et toucher des pièces électriques, ce qui entraîne un risque d'électrocution.
19. Ne pas utiliser de produits en papier lorsque l'appareil fonctionne en mode grille-pain.
20. Ne rangez aucun matériel, autre que les accessoires recommandés par le fabricant, dans ce four lorsqu'il n'est pas utilisé.
21. Ne recouvrez pas les grilles ou toute autre partie du four d'une feuille métallique. Cela entraînerait une surchauffe du four.
22. Ne pas immerger le cordon ou la fiche dans l'eau.
23. Tenir le cordon à l'écart de la surface chauffée.
24. Ne laissez pas le cordon pendre sur le bord d'une table ou d'un comptoir.
25. Ne pas monter au-dessus d'un évier.
26. Ne posez rien directement sur la surface de l'appareil lorsque celui-ci est en fonctionnement.



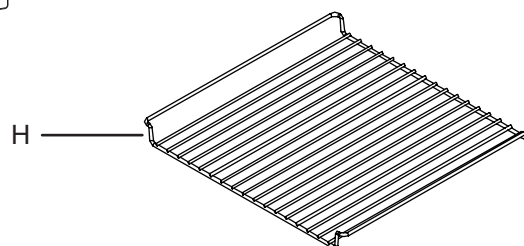
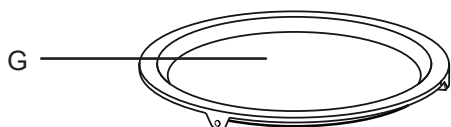
**Les liquides et autres aliments ne doivent pas être chauffés dans des récipients hermétiques, car ils risquent d'exploser.**

**CONSERVER CES INSTRUCTIONS**

## Noms des pièces et accessoires

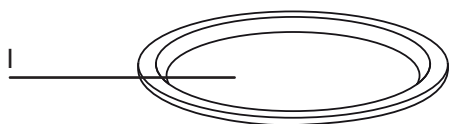


- A. Afficher
- B. Ventilation de l'air
- C. Panneau de contrôle
- D. Poignée
- E. Fenêtre
- F. Cadre
- G. Plaque tournante en métal
- H. Crémaillère coulissante
- I. Plaque tournante en céramique



- Le plateau tournant peut tourner dans le sens des aiguilles d'une montre ou dans le sens inverse.
- Placez le plateau tournant sur l'entraînement au centre du compartiment de cuisson. Veillez à ce qu'il soit correctement installé.
- N'utilisez jamais le micro-ondes sans le plateau tournant.
- Le plateau tournant peut supporter jusqu'à 11 livres.
- Le plateau tournant doit tourner lors de l'utilisation de tous les types de chauffage.
- Le plateau est en métal avec un revêtement en porcelaine.

- Une grille métallique réversible est incluse pour une convection maximale. Pour obtenir les meilleurs résultats lors de la cuisson ou du rôtissage, placez la grille face vers le bas pour la cuisson. Pour le gril, placez la grille face vers le haut.



- L'appareil est également équipé d'une plaque en céramique cordierite qui peut être placée sur le plateau tournant pour une cuisson plus stable.

- L'appareil est équipé de 3 éléments chauffants.

Avant d'utiliser les accessoires pour la première fois, nettoyez-les soigneusement avec de l'eau chaude savonneuse et un chiffon à vaisselle doux.



**La grille peut rester à l'intérieur du four à micro-ondes pendant la fonction micro-ondes, à condition qu'elle soit placée correctement dans les supports de grille.**

## **Instructions de mise à la terre**

---

Cet appareil doit être mis à la terre. En cas de court-circuit électrique, la mise à la terre réduit le risque de choc électrique en fournissant un fil d'évacuation pour l'appareil est équipé d'un cordon muni d'un fil de mise à la terre et d'une fiche de mise à la terre. La fiche doit être branchée dans une prise de courant correctement installée et mise à la terre.

**AVERTISSEMENT** - Une mauvaise utilisation de la mise à la terre peut entraîner un risque d'électrocution.

Consultez un électricien ou un technicien qualifié si les instructions de mise à la terre ne sont pas entièrement comprises ou si vous avez des doutes quant à la mise à la terre de l'appareil. S'il est nécessaire d'utiliser une rallonge, n'utilisez qu'une rallonge à trois fils, dotée d'une fiche à trois lames avec mise à la terre et d'une prise à trois fentes acceptant la fiche de l'appareil. La puissance indiquée de la rallonge doit être égale ou supérieure à la puissance électrique de l'appareil.

### **DANGER - Risque de choc électrique**

Le fait de toucher certains composants internes peut entraîner des blessures graves, voire mortelles. Ne pas démonter l'appareil.

### **AVERTISSEMENT - Risque de choc électrique**

Une mauvaise utilisation de la mise à la terre peut entraîner un choc électrique. Ne pas brancher l'appareil dans une prise de courant tant qu'il n'est pas correctement installé et mis à la terre.

1. Un cordon d'alimentation court est prévu pour réduire les risques d'enchevêtrement ou de trébuchement sur un cordon plus long.
2. Des cordons plus longs ou des rallonges sont disponibles et peuvent être utilisés à condition d'être utilisés avec précaution.
3. En cas d'utilisation d'un long cordon ou d'une rallonge : 1) La puissance électrique indiquée sur le cordon ou la rallonge doit être au moins égale à la puissance électrique de l'appareil. 2) La rallonge doit être un cordon à trois fils avec mise à la terre. 3) Le cordon le plus long doit être disposé de manière à ce qu'il ne tombe pas sur le plan de travail ou la table, où les enfants pourraient tirer dessus ou trébucher involontairement.

**\*\*CET APPAREIL EST CONFORME À LA PARTIE 18 DES RÈGLES DE LA FCC.\*\***  
(UNIQUEMENT POUR LES ETATS-UNIS)

## **Interférences radio**

---

1. L'utilisation du four à micro-ondes peut provoquer des interférences avec votre radio, votre télévision ou tout autre équipement similaire.
2. En cas d'interférences, celles-ci peuvent être réduites ou éliminées en prenant les mesures suivantes : 1) Nettoyer la porte et la surface d'étanchéité du micro-ondes 2) Réorienter l'antenne de réception de la radio ou de la télévision. 3) Déplacer le micro-ondes par rapport au récepteur. 4) Éloigner le micro-ondes du récepteur. 5) Branchez le four à micro-ondes sur une autre prise de manière à ce que le four à micro-ondes et le récepteur se trouvent sur des circuits différents. Cet appareil est conforme à la partie 18 des règles de la FCC. La FCC est habilitée à réglementer les équipements industriels, scientifiques et médicaux (ISM) qui émettent de l'énergie électromagnétique sur les fréquences du spectre radioélectrique afin d'éviter les interférences nuisibles avec les services de communication radio autorisés.

## **Ustensiles de cuisine**

---

### **ATTENTION - Risque de blessure corporelle**

Les récipients fermés hermétiquement peuvent exploser. Les récipients fermés doivent être ouverts et les sachets en plastique doivent être percés avant la cuisson. Voir les instructions sur les "Matériaux utilisables au micro-ondes et matériaux à éviter au micro-ondes"

Certains ustensiles de cuisine non métalliques ne peuvent pas être utilisés en toute sécurité au micro-ondes. En cas de doute, vous pouvez tester l'ustensile de cuisine en question en suivant la procédure ci-dessous.

Test d'ustensiles de cuisine :

1. Remplissez un récipient adapté aux micro-ondes avec une tasse d'eau froide (250 ml) et l'ustensile en question.
2. Cuire à puissance maximale pendant 1 minute.
3. Touchez soigneusement l'ustensile. Si l'ustensile vide est chaud, ne l'utilisez pas pour la cuisson au micro-ondes.
4. Ne pas dépasser 1 minute de cuisson.

## MATÉRIAUX UTILISABLES AU MICRO-ONDES

Matériau	Instructions
Plat à brunir	Suivre les instructions du fabricant*. Le fond du plat à brunir doit se trouver à au moins 5 mm au-dessus du plateau tournant. Une utilisation incorrecte peut entraîner la rupture de la platine.
Vaisselle	Passe au four à micro-ondes uniquement. Suivre les instructions du fabricant. Ne pas utiliser de vaisselle fissurée ou ébréchée
Bocaux en verre	Retirez toujours le couvercle. Utiliser uniquement pour chauffer les aliments jusqu'à ce qu'ils soient tout juste chauds. La plupart des bocaux en verre ne sont pas résistants à la chaleur et peuvent se briser.
Verrerie	Verrerie résistante à la chaleur uniquement. Assurez-vous qu'il n'y a pas de garniture métallique. Ne pas utiliser de vaisselle fissurée ou ébréchée.
Sacs de cuisson	Suivre les instructions du fabricant*. Ne pas fermer avec un lien métallique. Faire des fentes pour permettre à la vapeur de s'échapper.
Assiettes et gobelets en papier	A utiliser uniquement pour la cuisson/le réchauffage de courte durée. Ne laissez pas le micro-ondes sans surveillance pendant la cuisson.
Serviettes en papier	A utiliser uniquement pour la cuisson/le réchauffage de courte durée. Ne laissez pas le micro-ondes sans surveillance pendant la cuisson.
Papier sulfurisé	A utiliser uniquement pour la cuisson/le réchauffage de courte durée. Ne laissez pas le micro-ondes sans surveillance pendant la cuisson.
Plastique	Passe au four à micro-ondes uniquement. Suivez les instructions du fabricant. L'étiquette doit porter la mention "Microwave Safe" (sans danger pour les micro-ondes). Certains récipients en plastique se ramollissent lorsque les aliments qu'ils contiennent se réchauffent. Les "sacs à bouillir" et les sacs en plastique fermés hermétiquement doivent être fendus, percés ou ventilés comme indiqué sur l'emballage.
Film plastique	Passe au four à micro-ondes uniquement. A utiliser pour couvrir les aliments pendant la cuisson afin de conserver l'humidité. Le film plastique ne doit pas toucher les aliments.
Thermomètres	Uniquement pour le micro-ondes (thermomètres à viande et à bonbons).
Papier ciré	Utiliser comme couverture pour éviter les éclaboussures et conserver l'humidité.

## MATÉRIAUX À ÉVITER DANS LES MICRO-ONDES

Matériau	Instructions
Plateau en aluminium	Peut provoquer des arcs électriques. Transférer les aliments dans un plat allant au micro-ondes.
Carton alimentaire avec poignée métallique	Peut provoquer des arcs électriques. Transférer les aliments dans un plat allant au micro-ondes.
Ustensiles en métal ou garnis de métal	Le métal protège les aliments de l'énergie des micro-ondes. Les garnitures métalliques peuvent provoquer des arcs électriques.
Attaches torsadées en métal	Peut provoquer un arc électrique et un incendie dans le four à micro-ondes.
Sacs en papier	Peut provoquer un incendie dans le four à micro-ondes.
Mousse plastique	La mousse plastique peut fondre ou contaminer le liquide qu'elle contient lorsqu'elle est exposée à des températures élevées.
Bois	Le bois se dessèche lorsqu'il est utilisé dans le four à micro-ondes et peut se fendre ou se craqueler.

## Causes des dommages

---

### ATTENTION !

- Création d'étincelles : Le métal, par exemple une cuillère dans un verre, doit être placé à au moins 2 cm des parois du four et de l'intérieur de la porte. Les étincelles peuvent endommager irrémédiablement le verre à l'intérieur de la porte.
- Eau dans l'espace de cuisson chaud : Ne jamais verser d'eau dans le compartiment de cuisson chaud. Cela provoquera de la vapeur. Le changement de température peut causer des dommages.
- Aliments humides : Ne conservez pas d'aliments humides dans le compartiment de cuisson fermé pendant de longues périodes. Ne pas utiliser l'appareil pour conserver des aliments. Cela peut conduire à la corrosion.
- Refroidissement avec la porte de l'appareil ouverte : Ne laissez refroidir le compartiment de cuisson que lorsque la porte est fermée. Ne coinciez rien dans la porte de l'appareil. Même si la porte n'est que légèrement entrouverte, les façades des logements adjacents peuvent être endommagées au fil du temps.
- Joint très encrassé : Si le joint est très sale, la porte de l'appareil ne se fermera plus correctement pendant le fonctionnement. Les façades des unités adjacentes pourraient être endommagées. Veillez à ce que le joint soit toujours propre.
- Faire fonctionner le micro-ondes sans aliments : Faire fonctionner l'appareil sans aliments dans le compartiment de cuisson peut entraîner une surcharge. N'allumez jamais l'appareil s'il n'y a pas d'aliments dans le compartiment de cuisson. Une exception à cette règle est le test de la vaisselle courte (voir la section "Micro-ondes, vaisselle adaptée").
- Utilisation de la porte de l'appareil pour se tenir debout ou placer des objets : Ne vous tenez pas debout et ne placez rien sur la porte ouverte de l'appareil. Ne placez pas d'ustensiles de cuisine ou d'accessoires sur la porte de l'appareil.
- Transport de l'appareil : Ne pas porter ou tenir l'appareil par la poignée de la porte. La poignée de la porte ne peut pas supporter le poids de l'appareil et risque de se casser.
- Maïs soufflé au micro-ondes : Ne jamais régler la puissance du four à micro-ondes à un niveau trop élevé. Utilisez une puissance maximale de 600 watts. Placez toujours le sac de pop-corn sur une assiette en verre. Le disque peut sauter en cas de surcharge.
- Le liquide qui a bouilli ne doit pas s'écouler à l'intérieur de l'appareil par l'intermédiaire de l'entraînement du plateau tournant. Surveiller le processus de cuisson. Choisissez un temps de cuisson plus court au départ, puis augmentez le temps de cuisson si nécessaire.
- Le four doit être nettoyé régulièrement et les dépôts d'aliments doivent être enlevés car ils peuvent exploser, même après avoir été chauffés au micro-ondes.
- Le fait de ne pas maintenir le four propre peut entraîner une détérioration de la surface qui pourrait nuire à la durée de vie de l'appareil et entraîner une situation dangereuse.

## dimensions et conditions d'installation

---

Utilisez cette liste de contrôle pour vérifier que vous avez effectué chaque étape du processus d'installation. Cela peut vous aider à éviter les erreurs.

Reportez-vous aux instructions détaillées pour chaque étape dans les sections qui suivent cette liste de contrôle.

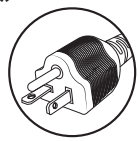
1. Avant d'installer l'appareil, vérifiez que les dimensions du meuble sont adaptées à l'appareil et que les raccordements électriques nécessaires sont présents. Assurez-vous que le conduit électrique prévu sur l'appareil peut atteindre le point de connexion. Section : Dimensions et exigences en matière d'armoires
2. Mettez l'appareil en place devant l'ouverture du meuble. Section : Retrait de l'emballage
3. Retirez les matériaux d'emballage, en laissant l'emballage inférieur sur l'appareil pour éviter d'endommager le sol. Section : Retrait de l'emballage
4. Levez l'appareil en équipe directement dans l'ouverture de l'armoire. Section : Installation de l'appareil, "Montage sur l'armoire"
5. Faites glisser l'appareil jusqu'à sa position. Section : Installation de l'appareil, "Montage sur l'armoire"
6. Fixez l'appareil à l'ouverture du meuble à l'aide des vis fournies. Section : Installation de l'appareil, "Montage sur l'armoire"

Lisez et suivez toujours les instructions d'installation complètes contenues dans ce manuel.

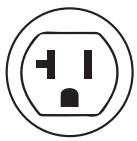
- Un espace de ¼" (6,4 mm) est nécessaire entre le côté de l'appareil et un mur adjacent ou une porte d'armoire lorsqu'il est installé à la fin d'une rangée d'armoires. La base du meuble doit être plate et capable de supporter le poids de l'appareil lorsqu'il est utilisé. Pour les appareils combinés, consultez la section relative aux dimensions de l'armoire dans le manuel d'installation de votre appareil combiné.
- Lors de l'ouverture, la porte de l'appareil chevauche le meuble situé en dessous d'environ 5 mm. Si nécessaire, vous pouvez surélever la position de l'appareil en ajoutant un panneau de l'épaisseur requise au-dessus de la base de soutien. La base d'appui doit être de niveau et solidement fixée à l'armoire.

Zone de sortie pour une installation murale ou sur un comptoir.

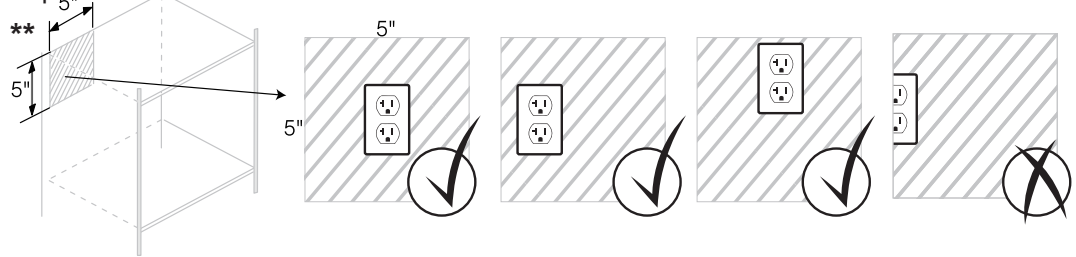
- \*L'appareil est équipé d'une **prise NEMA 5-20**. Assurez-vous que la prise de courant est équipée d'un **réceptacle NEMA 5-20**.
- \*\*La prise peut être située n'importe où dans la zone ombrée.



NEMA 5-20  
Fiche



NEMA 5-20  
Réceptacle

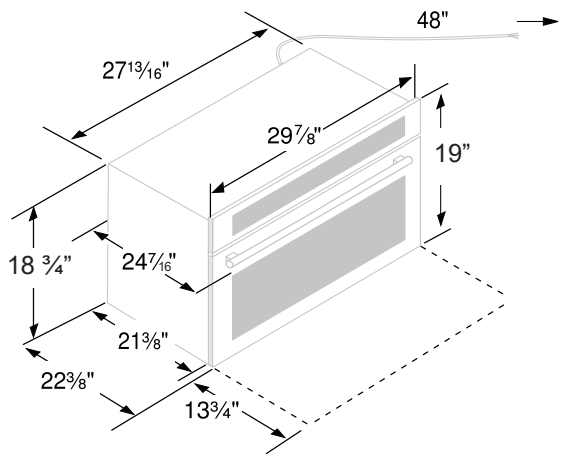


### Connexion électrique

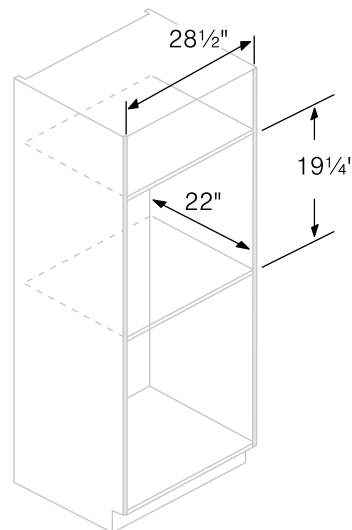
L'appareil est équipé d'une fiche et ne doit être branché que sur une prise de courant correctement installée et mise à la terre.

Seul un électricien qualifié qui tient compte des réglementations en vigueur peut installer la prise ou remplacer le câble de raccordement. Si la fiche n'est plus accessible après l'installation, un interrupteur d'isolement omnipolaire doit être présent du côté de l'installation avec un espace de contact d'au moins 3 mm. La protection contre les contacts doit être assurée par l'installation. Protection par fusible : voir le mode d'emploi - données techniques.

### Dimensions de l'appareil

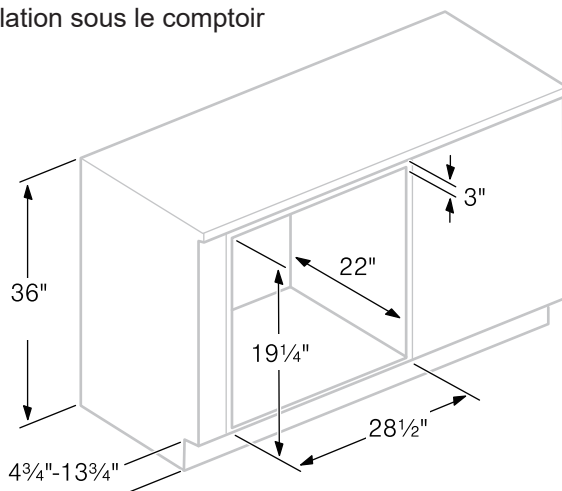


### Découpage Pour l'installation au mur



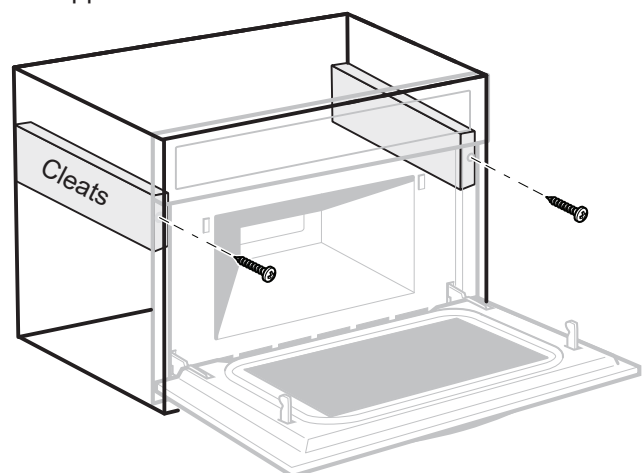
Remarque : La base de l'armoire doit être plate et capable de supporter un poids de 142 livres (64,1 kg)

### Installation sous le comptoir

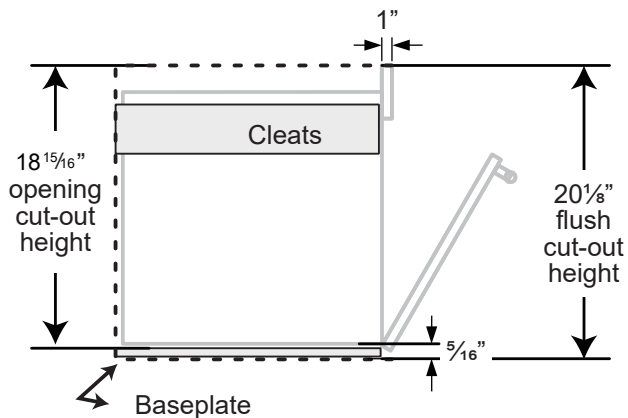


### Installation affleurante

- Vissez les taquets en bois  $\frac{3}{4}$ " dans le cadre du comptoir ou de l'armoire.
- Placer une plaque de base de  $\frac{5}{16}$ " sous le corps de l'appareil.

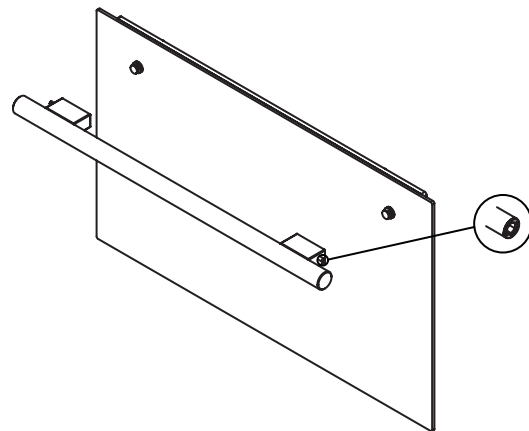


Remarque : l'appareil est lourd. Il est préférable de l'installer avec une deuxième personne. Avant d'installer l'appareil, vérifiez les dimensions du meuble et les raccordements électriques. Ne pas plier le câble électrique.












### INSTALLATION DE LA POIGNÉE

1. Repérez les trous sur la face inférieure de chaque base de poignée.
2. À l'aide d'une clé Allen/hex, tourner dans le sens inverse des aiguilles d'une montre pour desserrer les vis de réglage gauche et droite.
3. Retirer la poignée avec précaution. Si vous installez une poignée, placez soigneusement la nouvelle poignée sur les goujons de montage. Ensuite, à l'aide de la clé Allen/hex, serrez les vis de réglage gauche et droite dans le sens des aiguilles d'une montre jusqu'à ce que la poignée soit fermement en place.



### Liste de colisage

 Manuel d'instruction 1x	 Poignée en laiton antique 1x	 Poignée en acier inoxydable 1x	 Vis (poignée) 2x	 Vis 2x
 Clé Allen / hexagonale 1x	 Plateau tournant en métal 1x	 Plateau tournant en céramique 1x	 Grille de four	



**RETIRER TOUS LES FILMS ET RUBANS DE PROTECTION LES FILMS DE PROTECTION ET LES RUBANS AVANT L'UTILISATION.**

## Fonctions principales

Les touches tactiles permettent de régler les différentes fonctions supplémentaires. Sur l'écran, vous pouvez lire les valeurs que vous avez réglées.

Symbole	Fonction
Dégivrage automatique	Sélection des programmes de décongélation automatique
Aliments surgelés	Sélectionner les programmes de cuisson pour les plats cuisinés surgelés
Cuisson au capteur	Sélectionner les programmes de cuisson des capteurs
Réchauffage du capteur	Sélection des programmes de réchauffage des capteurs
Maïs soufflé	Cuire le pop-corn
Boissons	Chauffer les boissons
Pizza	Sélectionner les programmes de pizza
Menu auto	Sélectionner les programmes du menu automatique

Symbole	Fonction
Griller	Réglage des modes de cuisson (haut ou bas)
Niveau de puissance	Régler le niveau de puissance pour le fonctionnement des micro-ondes
Convection	Sélectionner les programmes de cuisson Bake Cook Sélectionner les programmes de cuisson du rôti
Préchauffage	Sélection des programmes de préchauffage
Poids de la température	Régler la température ou le poids de la cuisson
Temps	Régler le temps de cuisson
Verrouillage du panneau	Activer / désactiver la sécurité enfant
Horloge	Régler l'heure de la journée
0-9	Utilisez les touches numériques pour entrer les valeurs personnalisées
Démarrage / entrée +30 secondes	Confirmer les valeurs saisies / Démarrer le mode de cuisson Ajouter 30 secondes
Effacer / Désactiver	Effacer la valeur saisie / éteindre l'appareil

Utilisez les touches de réglage pour définir les paramètres.

Paramètre	Fonction
Menu auto	Sélection de 8 programmes pré-réglés
Poids	Régler le poids pour la cuisson ou la décongélation
Temps	Régler le temps de cuisson

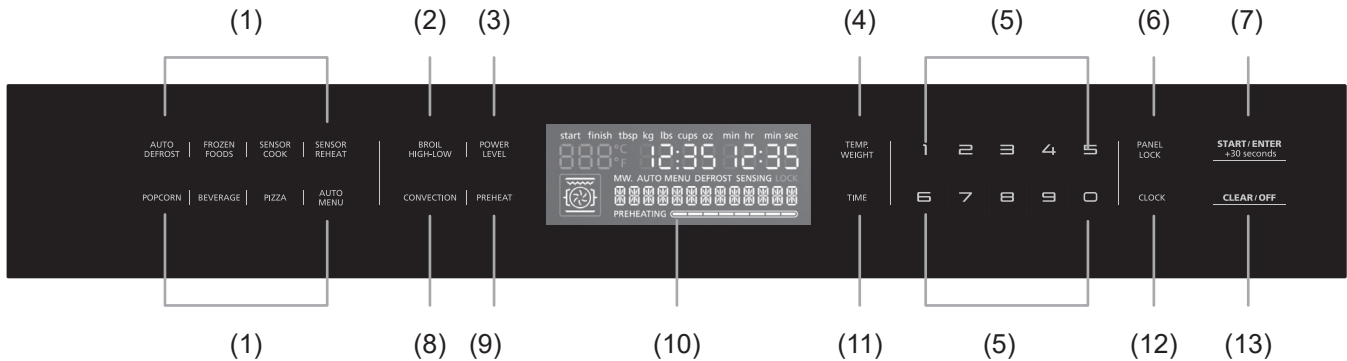
## Opération

Votre appareil est équipé d'un ventilateur de refroidissement. Le ventilateur de refroidissement se met en marche pendant le fonctionnement. L'air chaud s'échappe au-dessus de la porte. Le ventilateur de refroidissement continue de fonctionner pendant un certain temps après l'opération.

**Attention !** Ne pas couvrir les fentes d'aération. Dans le cas contraire, l'appareil surchauffera.

Notes

- Le ventilateur peut continuer à fonctionner même si l'opération de micro-ondes est terminée.
- De la condensation peut apparaître sur la fenêtre de la porte, les murs intérieurs et le sol. Ce phénomène est normal et n'affecte pas le fonctionnement des micro-ondes. Essayez la condensation après la cuisson.



- |                          |                            |                              |                        |
|--------------------------|----------------------------|------------------------------|------------------------|
| 1. Prédéfini             | 4. Poids de la température | 7. Démarrer / entrer +30sec. | 10. Afficher           |
| 2. Griller (haut ou bas) | 5. Touches numériques      | 8. Convection.               | 11. Temps              |
| 3. Niveau de puissance   | 6. Verrouillage du panneau | 9. Préchauffage              | 12. Horloge            |
|                          |                            |                              | 13. Effacer / éteindre |

### 1. Réglage de l'horloge :

Une fois l'appareil branché sur le secteur, "12:00" s'affiche comme heure du jour. Pour régler l'heure correcte, procédez comme suit :

- Appuyez sur Clock.
- Entrez l'heure correcte à l'aide des touches numériques. Exemple : pour régler l'heure sur 12:41, tapez 1 2 4 1.
- Appuyez sur Start / Enter +30 seconds pour confirmer.

Remarque : Pour éliminer l'odeur du four neuf, chauffez l'appareil lorsqu'il est vide et fermé. Une heure La cuisson par convection à 350°F(180°C) est idéale. Veillez à ce qu'aucun reste d'emballage ne soit laissé dans la cavité du four.

- Appuyez une fois sur Convection pour passer en mode cuisson.
- Entrez les chiffres 3 5 0 à l'aide des touches numériques.
- Touchez TIME pour régler le temps de cuisson.
- Entrez les chiffres 6 0 0 0 à l'aide des touches numériques.
- Appuyez sur Start/Enter +30 seconds pour démarrer la cuisson. Le voyant du four s'allume et l'appareil commence à chauffer.

### 2. Réglage du four :

Vous pouvez utiliser votre four de différentes manières. Nous vous expliquons ici comment sélectionner le type de chauffage et la température souhaités ou le réglage du gril. Vous pouvez également sélectionner le temps de cuisson de votre plat. Veuillez vous reporter à la section relative au *réglage des options de réglage de l'heure*.

Réglage du mode convection : (Exemple : rôtir à 350° F pendant 20 minutes)

- Appuyez deux fois sur Convection pour passer en mode rôtir.
- Entrez les chiffres 3 5 0 à l'aide des touches numériques.
- Touchez TIME pour régler le temps de cuisson.
- Entrez les chiffres 2 0 0 0 à l'aide des touches numériques.
- Appuyez sur Start/Enter +30 seconds pour démarrer la cuisson.

Programme	Appuyer sur la touche Convection	Gamme de température
Cuisson	fois	250~400 °F
Rôti	deux fois	300~450 °F

Note : Si vous n'avez pas besoin d'ajuster la durée, sautez l'étape 3-4.

Préchauffage :

Avec le préchauffage, votre four atteindra la température de consigne particulièrement rapidement. Pour garantir une cuisson au four, n'introduisez vos aliments dans le compartiment de cuisson que lorsque la phase de préchauffage est terminée.

## Fonctionnement (suite)

(1) Appuyer sur la touche Préchauffage  
 (2) Entrer le réglage de la température à l'aide de la touche numérique. La température d'entrée doit être comprise entre 100 et 450°F

(3) Appuyer sur la touche Start / Enter +30 seconds. Le four commence à chauffer.

Une fois le processus de préchauffage terminé, un signal sonore vous informe que vous pouvez placer vos aliments dans le four. Réglez le mode de cuisson dont vous avez besoin.

Il existe deux façons d'annuler le préchauffage.

(1) Appuyer sur la touche clear / off pour annuler.

(2) Vous pouvez ouvrir la porte pour annuler l'opération.

Remarque : Ce n'est que lorsque vous entendez l'alarme d'alerte et que l'icône de préchauffage clignote que vous pouvez ouvrir la porte et placer des aliments à l'intérieur.

### 3. Niveau de puissance :

Vous pouvez choisir parmi 11 niveaux de puissance de micro-ondes différents. Si vous ne définissez pas de niveau de puissance, le four à micro-ondes fonctionnera automatiquement au niveau de puissance le plus élevé. Le tableau ci-dessous indique les niveaux de puissance suggérés pour les différents types d'aliments pouvant être préparés au micro-ondes.

Niveau de puissance	Sortie micro-ondes	Fonction
PWR100	100%	Eau bouillante Cuisson de la viande hachée Fabrication de bonbons Cuisiner des fruits et légumes frais Cuisson du poisson et de la volaille Préchauffage du plat à brunir Réchauffer des boissons Cuisson des tranches de bacon
PWR90	90%	Réchauffer rapidement des tranches de viande Faire sauter les oignons, le céleri et les poivrons verts
PWR80	80%	Tous les réchauffages Cuisson des œufs brouillés
PWR70	70%	Cuisson de pains et de produits céréaliers Cuisiner des plats au fromage Cuisiner des muffins, des brownies et des cupcakes Cuisson de la volaille entière

Niveau de puissance	Sortie micro-ondes	Fonction
PWR60	60%	Cuisson des pâtes
PWR50	50%	Cuisson de la viande Cuisson de la crème pâtissière Cuisson des spare ribs, rib roast et sirloin roast
PWR40	40%	Cuisson de morceaux de viande moins tendres Réchauffer des aliments congelés emballés
PWR30	30%	Décongélation de la viande, de la volaille et des fruits de mer Cuisiner de petites quantités d'aliments Terminer la cuisson des ragoûts, des plats mijotés et de certaines sauces Chocolat fondant
PWR20	20%	Ramollir le beurre et le fromage frais
PWR10	10%	Ramollissement de la crème glacée Faire lever la pâte à levure
PWR0	0%	Travailler avec un ventilateur sans puissance Supprimer l'odeur du four

Réglage du micro-ondes :

(1) Entrez le temps de cuisson souhaité à l'aide des touches numériques. L'affichage de la minuterie se remplit de droite à gauche. Exemple : Pour régler une durée de micro-ondes de 20 minutes et 30 secondes, entrez les chiffres 2 0 3 0.

(2) Vous pouvez démarrer le fonctionnement du four à micro-ondes avec le niveau de puissance par défaut PWR100 en appuyant sur Start / Enter +30 seconds, - ou - vous pouvez régler un niveau de puissance différent. Niveau de puissance tactile.

(3) Entrez le niveau de puissance souhaité à l'aide des touches numériques.

(4) Appuyez sur Start / Enter +30 seconds pour lancer le fonctionnement du four à micro-ondes. La minuterie du four à micro-ondes commence à décompter.

Cuisson rapide au micro-ondes :

(1) Utilisez la touche pour démarrer rapidement votre micro-ondes au niveau de puissance le plus élevé. Vous pouvez appuyer plusieurs fois sur la touche pour augmenter le temps de cuisson au micro-ondes par incréments de 30 secondes.

(2) En appuyant sur cette touche pendant le fonctionnement du four à micro-ondes, vous ajoutez 30 secondes au temps de cuisson restant. Le temps de cuisson est écoulé.

(3) Un bip sonore vous avertit que l'opération micro-ondes est terminée.

#### 4. Cuisson express :

(1) En mode veille, appuyez sur les touches numériques 1 à 9 pour lancer une cuisson à 100 % au micro-ondes en 1 à 9 minutes.

(2). Si la porte est fermée, le four commence à cuire automatiquement après 2 secondes.

#### 5. Cuisson en plusieurs étapes :

(1) Entrez le temps de cuisson souhaité à l'aide des touches numériques. L'affichage de la minuterie se remplit de droite à gauche.

(2) Appuyez sur Power Level.

(3) Entrez le niveau de puissance souhaité à l'aide des touches numériques.

(4) Appuyez sur Power Level.

(5) Entrez le niveau de puissance souhaité à l'aide de la touche numérique

(6) Appuyez sur Start /Enter +30 secondes.

(7). Entrez le temps de cuisson souhaité à l'aide des touches numériques.

(8) Appuyez sur Start/Enter +30 seconds pour lancer le fonctionnement du micro-ondes... Vous serez alerté par un son à 3 reprises lorsque la première phase de cuisson sera terminée et que vous passerez à la deuxième phase.

#### 6. Programmes automatiques :

(1) Appuyez sur Auto menu.

(2) Appuyez plusieurs fois pour faire défiler tous les Auto menu.

(3) Touchez les touches numériques pour ajuster le poids des aliments.

(4) Appuyez sur Start / Enter +30 seconds pour démarrer la cuisson.

Remarque : L'ouverture de la porte de l'appareil pendant le fonctionnement interrompt le mode en cours. Fermez la porte de l'appareil et appuyez sur Start / Enter +30 seconds pour reprendre le fonctionnement.

Annuler l'opération : Touchez Clear/Off pour annuler l'opération.

Les ventilateurs de refroidissement peuvent continuer à fonctionner pendant un certain temps, puis s'éteindre automatiquement.

Programme	Échelle de poids	Méthode de cuisson
1- Blancs de poulet	0.5 - 3.0 lbs	Grille vers le bas
2- Cuisse de poulet	0.5 - 3.0 lbs	Grille vers le bas
3- Volaille entière	1.5 - 4.5 lbs	Plaque tournante
4- Rôti de boeuf	0.5 - 3.25 lbs	Plaque tournante
5- Filet de porc	1.0 - 3.0 lbs	Grille vers le bas
6- Côtelettes de porc	0.5 - 3.0 lbs	Grille vers le bas
7- Pain de Viande	1.0 - 3.25 lbs	Plaque tournante
8- Filets de Poisson	0.5 - 2.0 lbs	Grille vers le bas

#### 7. Programmes de décongélation :

Les 2 programmes de décongélation permettent de décongeler la viande hachée et les morceaux de viande.

(1) Appuyez une ou deux fois sur Auto Defrost pour sélectionner "VIANDE HACHÉE" ou "PIÈCES DE VIANDE".

(2) Entrez le poids de l'aliment à décongeler à l'aide des touches numériques.

(3) Appuyez sur Start / Enter +30 seconds pour lancer la décongélation.

■ Préparation des aliments Sortez les aliments que vous souhaitez décongeler du congélateur et retirez tous les emballages. Placez l'aliment sur la balance et pesez-le ou lisez l'étiquette sur l'emballage. Connaître le poids de vos aliments surgelés vous aidera à définir le programme et la méthode de cuisson dont vous avez besoin. Une fois la décongélation terminée, il y a du liquide dans le bac. Veillez à égoutter le liquide. NE PAS laisser le liquide entrer en

contact avec d'autres aliments.

■ Vaisselle pour le four Placer les aliments dans un plat creux allant au four à micro-ondes. Utiliser une plaque de céramique ou de verre NE PAS fixer le couvercle. Pendant la décongélation, vous recevrez une notification audio à deux reprises pour vous indiquer que les aliments doivent être retournés.

■ Temps de repos Une fois les aliments décongelés, laissez-les reposer pendant 10 à 30 minutes supplémentaires jusqu'à ce qu'ils atteignent la température ambiante. Plus les portions de viande sont grandes, plus le temps de repos est long. Les viandes hachées ou en morceaux doivent être séparées afin qu'elles atteignent plus rapidement la température ambiante. N'oubliez pas que plus le morceau de viande est épais, plus il peut être congelé au milieu.

Programme	Dégivrage	Gamme de poids
1	Viande hachée	17oz (0,50kg) - 70oz (2,00 kg)
2	Morceaux de viande	17oz (0.50kg) - 105oz (3.00kg)

## 8. Popcorn

La fonction popcorn vous permet de faire éclater 3 tailles différentes de sacs de popcorn micro-ondes emballés dans le commerce. Utilisez le tableau suivant pour déterminer le réglage à utiliser : Réglage du mode Popcorn

Taille du sac	Clé de pop-corn
1.2 oz / 34g	Appuyer une fois
2.5 oz / 71g	Appuyer deux fois
3.5 oz / 99g	Presser 3x

(1) Appuyez sur la touche Popcorn

(2) Puis appuyez sur le nombre de fois (1-3) pour choisir le poids souhaité

(3) Appuyez sur Start / Enter +30 seconds La minuterie du four à micro-ondes commence à décompter. Lorsque le temps de cuisson au micro-ondes est écoulé, un signal sonore retentit.

**ATTENTION** Ne laissez pas le four sans surveillance lorsqu'il est en cours d'utilisation. Le pop-corn peut s'enflammer et provoquer un incendie.

## 9. Boisson

La fonction boisson permet de chauffer 0,5 à 2 tasses de boisson. Le tableau ci-dessous permet de déterminer le réglage à utiliser. Réglage du mode Boisson

Montant	Clé pour les boissons
0.5 tasses (environ 4 oz   0,11L)	Appuyer une fois
1 tasse (environ 8 oz   0,23L)	Appuyer deux fois
1.5 tasses (environ 12 oz   0,35L)	Presser 3x
2 tasses (environ 16 oz   0,47L)	Appuyer sur 4x

(1) Appuyer sur la touche Boisson

(2) Puis appuyer sur le nombre de fois (1-3) pour choisir le poids désiré

(3) Appuyer sur Start / Enter +30 seconds La minuterie du four à micro-ondes commence à décompter. Lorsque le temps de cuisson au micro-ondes est écoulé, un signal sonore retentit. L'appareil s'éteint et l'horloge réapparaît.

## 10. Aliments surgelés

Utilisez la fonction Aliments surgelés pour préparer des plats cuisinés surgelés, comme des nuggets de poulet, des frites, des bâtonnets de poisson, en utilisant la chaleur du bas et la convection. Placez les aliments à cuire directement sur le plateau tournant en métal. Vous pouvez régler une plage de température allant de 200 à 450° F (100 à 230°C).

## 11. Pizza

Le mode Pizza permet de cuire trois types de pizzas différents :

Mode no.	Type de pizza	Cuisson au four
1	Pizza surgelée	Plateau en métal
2	Pizza fraîche	Plateau en métal
3	Pizza au micro-ondes	Plateau en céramique

### Conseils pour les pizzas

- Vérifiez la pizza avant le temps minimum, la pizza peut cuire plus rapidement qu'avec un four traditionnel.
- Pour les pizzas fraîches, utilisez une palette à pizza pour faire glisser la pizza sur le plateau métallique.
- Si vous utilisez une plaque à pizza, saupoudrez-la généreusement de farine de maïs pour faciliter le transfert de la pâte sur le plateau métallique.
- La taille maximale est de 12 pouces pour les pizzas fraîches et surgelées. • Évitez d'utiliser une pierre à pizza, car elle peut endommager le four.
- Le plateau tournant en métal peut être utilisé pour couper la pizza en tranches. Retirez le plateau tournant du four après la cuisson de la pizza.

### Réglage du mode Pizza pour les pizzas fraîches ou surgelées

Vous pouvez régler une plage de température de 375 à 450° F (190 à 230°C) pour les modes pizza fraîche et congelée.

Vous pouvez cuire des pizzas fraîches ou surgelées directement sur le plateau tournant en métal.

1. Touché **Pizza**.
2. Effleurer **Pizza** à plusieurs reprises pour faire défiler tous les modes pizza.
3. Touchez Start/Enter +30 Seconds.
4. Vous pouvez modifier la température à l'aide des touches numériques. Vous pouvez également modifier le temps de cuisson en touchant TIME puis en appuyant sur les touches numériques.
5. Appuyez sur Start/Enter +30 Seconds pour confirmer. L'appareil commence à préchauffer.

La température réglée est atteinte lorsque la barre de préchauffage s'est complètement remplie et qu'un signal sonore retentit.

### Réglage du mode Pizza pour la pizza au micro-ondes

Placez la pizza micro-ondes sur le plateau en céramique et mettez-la au four en suivant les instructions de l'emballage.

1. Touchez **Pizza**.
2. Touchez **Pizza** de manière répétée jusqu'à ce que **MICROWAVE PIZZA" soit affiché**.
3. Appuyez sur Start/Enter +30 Seconds . L'appareil commence à détecter.
4. Lorsque la détection est terminée, un signal sonore retentit et le temps de cuisson calculé commence à décompter.

**Remarque : N'ouvrez pas la porte pendant le processus de détection, sinon le programme sera annulé.**

Une fois que le temps de cuisson calculé est affiché, vous pouvez ouvrir la porte pour remuer, tourner ou réarranger les aliments. Touchez Start/Enter +30 Seconds pour reprendre l'opération.

### Ouverture de la porte de l'appareil en cours de fonctionnement

L'ouverture de la porte de l'appareil pendant le fonctionnement interrompt le mode en cours. Fermez la porte de l'appareil et touchez Start/Enter +30 Seconds pour reprendre le fonctionnement.

## 12. Cuisson par capteur

Vous pouvez sélectionner deux modes de cuisson par capteur. La cuisson par détection vous permet de cuire un grand nombre de vos aliments préférés sans avoir à sélectionner les temps de cuisson et les niveaux de puissance. Le four à micro-ondes détermine automatiquement le temps de cuisson nécessaire pour chaque aliment.

Pour obtenir les meilleurs résultats lors de la cuisson par capteur, suivez les recommandations suivantes :

- Les aliments cuits à l'aide du système de sonde doivent être préparés à partir de la température de stockage normale.
- Le plateau de la table tournante, le plateau en céramique et l'extérieur du conteneur doivent être secs.
- Les aliments doivent toujours être recouverts d'une pellicule plastique, de papier ciré ou d'un couvercle.
- N'ouvrez pas la porte et ne touchez pas la touche « **Clear/Off** » pendant le temps de détection. Lorsque le temps de détection est terminé, le four émet un bip et le temps de cuisson restant s'affiche à l'écran. **À ce moment-là, vous pouvez ouvrir la porte pour remuer, retourner ou réarranger les aliments.**

### Réchauffage par capteur (*Sensor Reheat*)

La fonction « **Sensor Reheat** » vous permet de réchauffer des assiettes ou des plats (8-16 oz) pour faciliter la cuisson.

#### Réglage du réchauffage par capteur

1. Touchez la commande tactile « **Sensor Reheat** ».
2. Touchez Start/Enter +30 Seconds. « **Sensing** » s'affiche. Le four à micro-ondes fonctionne pendant la détection.
3. Lorsque la détection est terminée, un signal sonore retentit et le temps de cuisson calculé commence à décompter.

#### Remarque : N'ouvrez pas la porte pendant le processus de détection, sinon le programme sera annulé.

Une fois que le temps de cuisson calculé est affiché, vous pouvez ouvrir la porte pour remuer, tourner ou réarranger les aliments. Touchez Start/Enter +30 Seconds pour reprendre l'opération.

Lorsque le réchauffage du capteur est terminé, un signal sonore retentit.

#### Notes

- Couvrir d'un film plastique aéré ou de papier ciré.
- Réchauffer les aliments dans une assiette allant au micro-ondes.

### Suggestions de cuisson pour le réchauffage

Alimentation	Directions	Quantité
Assiette plate	Utilisez uniquement des aliments précuits et réfrigérés. Couvrez l'assiette avec un film plastique ventilé ou du papier ciré, en le glissant sous l'assiette. Si les aliments ne sont pas assez chauds après avoir été réchauffés à l'aide de la fonction Réchauffer, continuez à les réchauffer en utilisant le réglage manuel de la durée et du niveau de puissance. Contenu : <ul style="list-style-type: none"><li>• 3-4 oz de viande, volaille ou poisson (jusqu'à 6 oz avec os)</li><li>• 1/2 tasse de féculents (pommes de terre, pâtes, riz, etc.)</li><li>• 1/2 tasse de légumes (environ 3-4 oz)</li></ul>	1 portion (1 assiette)
Casserole, pâtes	Couvrir l'assiette d'un couvercle ou d'un film plastique ventilé. Si les aliments ne sont pas assez chauds après avoir été réchauffés à l'aide de la fonction Réchauffer, continuez à les réchauffer en utilisant le réglage manuel de la durée et du niveau de puissance. Remuer les aliments une fois avant de les servir. Contenu : <ul style="list-style-type: none"><li>• Casserole : aliments réfrigérés (comme le ragoût de bœuf ou les lasagnes)</li><li>• Pâtes : Spaghetti et ravioli en conserve, aliments réfrigérés</li></ul>	1 à 4 portions

## Cuisson au capteur (*Sensor Cook*)

La fonction « **Sensor Cook** » vous permet de cuire un grand nombre de vos aliments préférés sans avoir à sélectionner les temps de cuisson et les niveaux de puissance. Le four à micro-ondes détermine automatiquement le temps de cuisson nécessaire pour chaque aliment.

### Réglage de la cuisson par sonde

**Exemple** : Régler la cuisson par capteur pour la viande hachée (*Ground Meat*).

1. Touchez la commande tactile « **Sensor Cook** ».
2. Touchez la commande « **Sensor Cook** » à plusieurs reprises pour sélectionner viande hachée (*Ground Meat*).
3. Touchez Start/Enter +30 Seconds.

Le programme commencera à détecter les micro-ondes en fonctionnement.

Lorsque la détection est terminée, un signal sonore retentit et le temps de cuisson calculé commence à décompter.

**Remarque** : **N'ouvrez pas la porte pendant le processus de détection, sinon le programme sera annulé.**

Une fois que le temps de cuisson calculé est affiché, vous pouvez ouvrir la porte pour remuer, tourner ou réarranger les aliments. Touchez Start/Enter +30 Seconds pour reprendre l'opération.

Lorsque la cuisson du capteur est terminée, un signal sonore retentit.

## Programmes de cuisson par capteur

Programme de cuisson par capteur	Quantité	Conseils de cuisson
1 – Pommes de terre cuites ( <i>Baked Potato</i> )	1 - 4 pommes de terre (8 - 32 oz.)	Piquer la peau à l'aide d'une fourchette. Ne pas couvrir. Après la cuisson, laisser reposer pendant 5 minutes, enveloppé dans du papier d'aluminium.
2 – Viande hachée ( <i>Ground Meat</i> )	8 - 24 oz. (0,5 - 1,5 lbs)	Après la cuisson, laisser reposer couvert, pendant 3 à 4 minutes.
3 – Légumes frais ( <i>Fresh Vegetables</i> )	4 - 16 oz. (0.25 - 1 lbs)	Il n'y a pas besoin d'eau si les légumes viennent d'être lavés. Ajouter 2 cuillères à soupe d'eau pour 8 onces de légumes frais.
4 - Poisson/ Fruits de mer ( <i>Fish/Seafood</i> )	8 - 20 oz. (0.5 -1.25 lbs)	Rouler des bords fins en dessous. Disposer en anneau autour du plat micro-ondable.
5 - Entrées surgelées ( <i>Frozen Entrees</i> )	10 - 20 oz.	Suivre les instructions de l'emballage pour la ventilation, la découpe du film plastique, etc.

### Ouverture de la porte de l'appareil en cours de fonctionnement

L'ouverture de la porte de l'appareil pendant le fonctionnement interrompt le mode en cours. Fermez la porte de l'appareil et touchez Start/Enter +30 Seconds pour reprendre le fonctionnement.

### Annuler l'opération

Touchez **Clear/Off** pour annuler le mode four actif. L'appareil s'éteint et l'horloge s'affiche.

Les ventilateurs de refroidissement peuvent continuer à fonctionner pendant un certain temps, puis s'éteindre automatiquement.

## 13. Griller (*Broil*)

La fonction « **Broil** » utilise la chaleur intense émise par l'élément supérieur.

Vous pouvez régler deux niveaux d'intensité :

- Griller à feu vif
- Griller à feu doux

### Réglage du mode gril

L'appareil doit être éteint.

1. Touchez « **Broil HIGH-LOW** ».
2. Touchez à nouveau la touche « **Broil HIGH-LOW** » pour passer au mode « **Broil LOW** ».
3. Entrez le temps de cuisson souhaité à l'aide des touches numériques.
4. Touchez **Start/Enter** +30 Seconds pour démarrer l'opération.

**Remarque** : Utilisez toujours une lèchefrite lorsque vous cuisinez en mode gril (voir accessoires en option).

### Ouverture de la porte de l'appareil en cours de fonctionnement

L'ouverture de la porte de l'appareil pendant le fonctionnement interrompt le mode en cours. Fermez la porte de l'appareil et touchez **Start/Enter** +30 Seconds pour reprendre le fonctionnement.

### Annuler l'opération

Touchez **Clear/Off** pour annuler l'opération.

Les ventilateurs de refroidissement peuvent continuer à fonctionner pendant un certain temps, puis s'éteindre automatiquement.

## 14. Réglage des options de réglage de l'heure

Votre four dispose de plusieurs possibilités de réglage de l'heure. La touche **Horloge** « **Clock** » permet d'appeler le menu et de passer d'une fonction à l'autre.

### Réglage du temps de cuisson

Le temps de cuisson de votre repas peut être réglé sur le four. Lorsque le temps de cuisson est écoulé, le four s'éteint automatiquement. Vous ne devez donc pas interrompre votre travail pour éteindre le four. Le temps de cuisson ne peut pas être dépassé accidentellement. Le four se met en marche.

Le temps de cuisson est décompté sur l'écran.

### Le temps de cuisson est écoulé

Un signal sonore retentit. Le four s'arrête de chauffer.

### Réglage de l'horloge

1. Touchez **Clock** .
2. Entrez l'heure correcte à l'aide des touches numériques.  
Exemple : Pour régler l'horloge sur 12:41, tapez 1 2 4 1.
3. Touchez **Start/Enter** +30 Seconds pour confirmer.

### Modification de l'horloge

1. Touchez la commande tactile **Clock** en mode veille.
2. Entrez l'heure correcte à l'aide des touches numériques.
3. Touchez **Start/Enter** +30 Seconds pour confirmer.

## 15. Verrouillage pour la sécurité des enfants

Le four est équipé d'un verrouillage de sécurité pour éviter que les enfants ne l'allument accidentellement.

Le four ne réagit à aucun réglage. La minuterie et l'horloge peuvent également être réglées lorsque la sécurité enfants est activée.

### Activation de la sécurité enfants

**Exigence** : Aucun temps de cuisson ne doit être défini.

Appuyez sur la touche de **verrouillage du panneau « Panel Lock »** et maintenez-la enfoncée pendant environ 3 secondes.

Le symbole du verrou apparaît sur l'écran. La sécurité enfants est activée.

### Désactivation de la sécurité enfants

Appuyez sur la touche de **verrouillage du panneau « Panel Lock »** et maintenez-la enfoncée pendant environ 3 secondes.

Le symbole de verrouillage s'éteint sur l'écran. La sécurité enfants est désactivée.

### Verrouillage de sécurité pour les enfants avec d'autres opérations de cuisson

Lorsque d'autres programmes de cuisson ont été réglés, la sécurité enfants n'est pas opérationnelle.

# Entretien et nettoyage

Avec un entretien et un nettoyage régulier, votre four à micro-ondes conserve son apparence et reste en bon état. Nous allons vous expliquer ici comment entretenir et nettoyer correctement votre appareil.

## **⚠ Risque d'électrocution !**

Une humidité pénétrante peut provoquer un choc électrique. N'utilisez pas de nettoyeur haute pression ou à vapeur.

## **⚠ Risque de brûlures !**

Ne nettoyez jamais l'appareil immédiatement après l'avoir éteint. Laissez le four refroidir.

## **⚠ Risque de graves atteintes à la santé !**

L'énergie micro-ondes peut s'échapper si la porte de l'espace de cuisson ou le joint de la porte est endommagé. N'utilisez jamais l'appareil si la porte de l'espace de cuisson ou le joint de la porte est endommagé. Contactez le service après-vente.

### **Remarques**

- De légères différences de couleur à l'avant de l'appareil sont causées par l'utilisation de différents matériaux, tels que verre, plastique et métal.
- Les ombres sur le panneau de porte, qui ressemblent à des stries, sont causées par les reflets de la lumière du four.
- Des odeurs désagréables, par ex. une fois le poisson préparé, peuvent être éliminés très facilement. Mettez quelques gouttes de jus de citron dans un verre d'eau. Placez également une cuillère dans le récipient pour retarder l'ébullition. Faites chauffer l'eau pendant 1 à 2 minutes à la puissance maximale de micro-onde.

## **Produits de nettoyage**

Pour avoir les différentes surfaces non endommagées par l'utilisation d'un mauvais produit de nettoyage, respectez les informations du tableau suivant. N'utilisez pas de

- produits de nettoyage tranchants ou abrasifs,
- grattoirs en métal ou en verre pour nettoyer la vitre de la porte de l'appareil,
- grattoirs en métal ou en verre pour nettoyer le joint de la porte,
- tampons et éponges à récurer durs,
- produits de nettoyage à forte concentration d'alcool.

Lavez soigneusement les nouveaux chiffons éponge avant utilisation.

Laisser toutes les surfaces sécher complètement avant de réutiliser l'appareil.


<b>Zone</b>	<b>Produits de nettoyage</b>
Avant de l'appareil	Eau chaude savonneuse : À nettoyer avec un torchon et à sécher avec un chiffon doux. Pour le nettoyage, n'utilisez pas de produits nettoyants pour vitres ou de raclette pour vitre ou en métal.
Avant de l'appareil avec inox	Eau chaude savonneuse : À nettoyer avec un torchon et à sécher avec un chiffon doux. Enlevez sans trop tarder les taches de calcaire, de graisse, d'amidon et d'albumine (ex. blanc d'œuf). De la corrosion peut se former sous de tels résidus. Des produits de nettoyage spéciaux pour inox peuvent être procurés auprès du service après-vente ou auprès de magasins spécialisés. Pour le nettoyage, n'utilisez pas de produits nettoyants pour vitres ou de raclette pour vitre ou en métal.
Espace de cuisson	Eau savonneuse chaude ou une solution de vinaigre : À nettoyer avec un torchon et à sécher avec un chiffon doux. Si le four est très sale : N'utilisez pas d'aérosol ou d'autres nettoyants agressifs ou abrasifs pour four. Les tampons à récurer, les éponges rugueuses et les nettoyants pour casseroles ne sont pas appropriés. Ces produits laissent des rayures sur la surface. Laisser les surfaces intérieures sécher complètement.
Creux dans l'espace de cuisson	Chiffon humide : Veillez à ce qu'il n'y ait aucune infiltration d'eau à travers l'axe d'entraînement du plateau tournant à l'intérieur de l'appareil.
Étagère grillagée	Eau chaude savonneuse : À nettoyer avec un produit de nettoyage pour inox ou au lave-vaisselle.
Panneaux de la porte	Nettoyants pour vitres : À nettoyer avec un torchon. N'utilisez pas de raclette pour vitre.
Joint	Eau chaude savonneuse : À nettoyer avec un torchon, ne pas récurer. N'utilisez pas de raclette pour vitre ou en métal.

# Tableau des pannes

Les pannes ont souvent des explications simples. Reportez-vous au tableau des pannes avant d'appeler le service après-vente.

Si un repas ne se déroule pas exactement comme vous le souhaitez, reportez-vous à la section Guide de cuisine expert, où vous trouverez de nombreux trucs et astuces.

## Tableau des pannes

Problème	Causes possibles	Remèdes/informations
L'appareil ne fonctionne pas.	Disjoncteur défectueux	Regardez dans la boîte à fusibles et vérifiez que le disjoncteur de l'appareil est en état de marche.
	Fiche non branchée.	Branchez la fiche.
	Coupure de courant	Vérifiez si la lumière de la cuisine marche.
L'appareil ne fonctionne pas.  apparaît sur le panneau d'affichage.	Le verrouillage de sécurité enfants est activé.	Désactivez le verrouillage de sécurité enfants (voir section : Sécurité enfants).
 apparaît sur le panneau d'affichage.	Coupure de courant	Réinitialisez l'horloge.
Le micro-onde ne s'allume pas.	La porte est entre-ouverte.	Vérifiez si des résidus d'aliments ou des débris sont coincés dans la porte.
Les aliments prennent plus de temps pour se réchauffer au micro-onde	La puissance micro-onde sélectionnée est trop faible.	Sélectionnez une puissance plus élevée.
	Une plus grande quantité a été placée dans l'appareil.	Quantité double = temps de cuisson presque double.
	Les aliments étaient plus froids que d'habitude.	Remuez ou retournez les aliments pendant la cuisson.
Le plateau tournant grince ou tourne difficilement.	De la saleté ou des débris autour de l'axe d'entraînement du plateau tournant.	Nettoyez soigneusement les roues du plateau tournant et le creux au fond du four.
Nettoyez soigneusement les roues sous le plateau tournant et le creux en bas du four.	La température, le niveau de puissance ou le réglage combiné n'est pas possible pour ce mode de fonctionnement.	Choisissez des réglages autorisés.
 apparaît sur le panneau d'affichage.	La fonction de coupure de sécurité thermique a été activée.	Appelez le service après-vente.
 apparaît sur le panneau d'affichage.	La fonction de coupure de sécurité thermique a été activée.	Appelez le service après-vente.
 apparaît sur le panneau d'affichage.	Humidité dans le panneau de commande.	Laissez sécher le panneau de commande.
 apparaît sur le panneau d'affichage.	Le chauffage rapide n'a pas marché.	Appelez le service après-vente.

## Risque d'électrocution !

Les réparations incorrectes sont dangereuses. Les réparations ne doivent être effectuées que par l'un de nos agents après-vente qualifiés.

# Acrylamide dans les aliments

## Quels aliments sont concernés ?

L'acrylamide est principalement générée dans les produits céréaliers et à base de pommes de terre qui sont chauffés à des

températures élevées, tels que chips de pomme de terre, chips, toasts, petits pains, pain, produits de boulangerie fine (biscuits, pain d'épices, biscuits).

## Conseils pour garder l'acrylamide au minimum lors de préparation d'aliments

Général	Réglez les temps de cuisson au minimum. Faites cuire les aliments jusqu'à ce qu'ils soient dorés, mais pas trop. Les gros morceaux épais d'aliments contiennent moins d'acrylamide.
Biscuits au four Frites au four	Max. 200°C en chauffage haut/bas ou max. 180°C en mode air chaud 3D ou air chaud. Max. 190°C en chauffage haut/bas ou max. 170°C en mode air chaud 3D ou air chaud. Le blanc et le jaune d'œuf réduisent la formation d'acrylamide. À répartir finement et uniformément sur le plateau de cuisson. Faites cuire au moins 400 g à la fois sur un plateau de cuisson afin que les frites ne sèchent pas

# Conseils énergétiques et environnementaux

Vous trouverez ici des conseils pour économiser de l'énergie lors de la cuisson et du rôti et pour mettre votre appareil au rebut de façon appropriée.

## Économie d'énergie

- Préchauffez le four uniquement si cela est spécifié dans la recette ou dans les tableaux d'instructions d'utilisation.
- Utilisez des moules à pâtisserie foncés, laqués noirs ou émaillés. Ils absorbent la chaleur de façon optimale.
- Ouvrez la porte du four aussi rarement que possible pendant la cuisson, la préparation du pain ou le rôtissage.
- Il est préférable de faire cuire plusieurs gâteaux l'un après l'autre. Tant que le four est encore chaud. Cela réduit le temps de cuisson pour le second gâteau. Vous pouvez également placer deux moules à pain l'un à côté de l'autre.

- Pour des temps de cuisson plus longs, vous pouvez éteindre le four 10 minutes avant la fin de la cuisson et utiliser la chaleur résiduelle pour terminer la cuisson.

## Mise au rebut avec respect de l'environnement

Jetez l'emballage dans le respect de l'environnement.



Cet appareil est conforme à la directive européenne 2002/96/CE relative aux déchets d'équipements électriques et électroniques (DEEE). La directive fournit un cadre pour la collecte et le recyclage des vieux appareils, qui est valable dans toute l'Union Européenne.

# Guide expert de cuisson

Les graphiques peuvent être utilisés comme guide. Suivez les instructions sur l'emballage ou la recette.

## Grillade

Placez le plat d'aliments sur la grille avec le creux vers le haut.

Aliment	Température du four	Temps de cuisson (minutes)	Température interne	Astuces/procédés de cuisson
Hamburgers, ¾" à 1", moyens	Haut	Côté 1 : 9 - 11 Côté 2 : 10 - 12	160°F (71°C)	Utilisez un plateau qui permet à la graisse de s'écouler des aliments. La viande riche en matières grasses provoque plus de projections.
Côtelettes d'agneau, Haut 1 pouce, moyennes	Haut	Côté 1 : 9 - 11 Côté 2 : 10 - 12	160°F (71°C)	Utilisez un plateau qui permet à la graisse de s'écouler des aliments. Fente de graisse pour éviter la stagnation.
Saucisses, fraîches	Haut	Côté 1 : 9 - 11 Côté 2 : 8 - 10	160°F (71°C)	Utilisez un plateau qui permet à la graisse de s'écouler des aliments.
Steaks, ¾" à 1", mi-saignants	Haut	Côté 1 : 9 - 11 Côté 2 : 10 - 12	145°F (63°C)	Utilisez un plateau qui permet à la graisse de s'écouler des aliments. Fente de graisse pour éviter la stagnation.
Steaks, ¾" à 1", moyens	Haut	Côté 1 : 9 - 11 Côté 2 : 10 - 12	160°F (71°C)	Utilisez un plateau qui permet à la graisse de s'écouler des aliments. Fente de graisse pour éviter la stagnation.
Pain grillé	Bas	3 - 5	-	Vérifiez à temps minimum.
Top des casseroles à brunir	Bas	3 - 5	-	Utilisez uniquement des plats en métal ou en vitrocéramique comme le Corning Ware®

## Grillade à convection

Placez le plat de nourriture sur la grille avec le creux vers le haut.

Aliment	Température du four	Temps de cuisson (minutes)	Température interne	Astuces/procédés de cuisson
Poitrine de poulet, avec os	Bas	Côté 1 : 9 - 11 Côté 2 : 10 - 12	170°F (76°C)	Commencez par la poitrine orientée vers le bas.
Filets de poisson, ¾" à 1"	Bas	11 - 15	145°F (63°C)	Il ne faut pas retourner les poissons. Retournez les extrémités minces. Badigeonner d'huile d'olive ou de beurre pour éviter qu'il ne colle.

## Convection

Préchauffez le four avant d'ajouter des aliments. Une fois le four préchauffé, placez les aliments dans le four

rapidement pour minimiser la perte de chaleur. Placez le plat de nourriture sur la grille avec le creux vers le bas.

Aliment	Température du four	Temps de cuisson (minutes)	Astuces/procédés de cuisson
Biscuits	350°F (175°C)	13 - 20	Un moule à pâtisserie foncé ou terne donne une croûte plus brune et plus croustillante.
Gâteau, 13"x9"	350°F (175°C)	23 - 28	Pour une croûte tendre et légèrement dorée, utilisez des ustensiles de cuisson en métal léger et brillant.
Petits gâteaux	350 - 375°F (175 - 190°C)	8 - 14	Un moule à pâtisserie foncé ou terne donne une croûte plus brune et plus croustillante.
Pain au maïs	425 - 450°F (220 - 230°C)	25 - 30	Utilisez un moule carré.
Cupcakes	350°F (175°C)	18 - 21	Idéal pour les mélanges prêts à l'emploi. Préparez selon les instructions sur l'emballage.
Petit pains	400°F (205°C)	12 - 18	Utilisez avec des petits pains frais ou surgelés.
Tarte aux fruits frais	375°F (190°C)	50 - 60	Un moule à tarte foncé ou terne donne une croûte plus brune et plus croustillante.
Muffins	400°F (205°C)	10 - 18	Idéal pour les mélanges prêts à l'emploi. Préparez selon les instructions sur l'emballage.
Légumes grillés	425 - 450°F (220 - 230°C)	15 - 20	Utilisez une casserole en métal sombre ou terne. Remuez une fois.
Sablés	450°F (230°C)	10 - 18	Idéal pour différents sablés. Utilisez une poêle à revêtement sombre.

## Cuisson d'œufs au micro-onde

- Ne faites jamais cuire ou réchauffez les œufs avec la coquille ; ils peuvent exploser.
- Percez toujours les œufs entiers pour les empêcher d'éclater.
- Ne dépassez jamais le temps de cuisson indiqué, car vos œufs durcissent lorsqu'ils sont trop cuits.
- La cuisson des œufs brouillés est sans danger.

## Cuisson de légumes au micro-onde

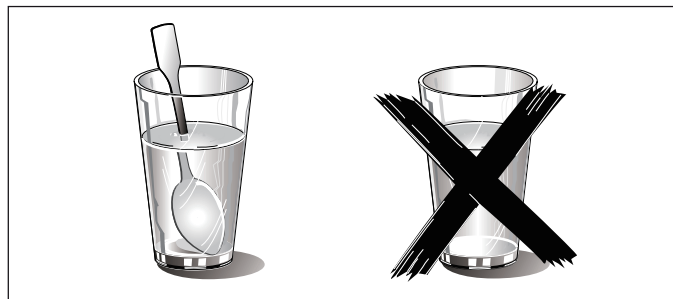
- Les légumes doivent être lavés juste avant la cuisson. L'ajout d'eau est rarement nécessaire. Ajoutez environ ¼ de verre d'eau pour les légumes denses tels que pommes de terre ou carottes.
- Les petits légumes (carottes, pois, haricots de Lima, etc.) cuisent plus vite que les gros légumes.
- Les légumes entiers, tels que pommes de terre, courge poivrée ou maïs en épi, doivent être disposés en cercle sur le plateau tournant avant la cuisson. Ils cuisent plus uniformément s'ils sont retournés à mi-cuisson.

### Réchauffe d'aliments

#### Risque de brûlure !

Il y a toujours une possibilité d'ébullition retardée quand un liquide est chauffé. Cela signifie que le liquide atteint la température d'ébullition sans que des bulles de vapeur habituelles ne remontent à la surface. Même si le récipient ne bouge qu'un tout petit peu, le liquide chaud peut soudainement déborder et éclabousser. Lorsque vous chauffez des liquides, placez toujours une cuillère dans le récipient. Cela empêche l'ébullition retardée.

- Placez toujours les légumes tels qu'asperges et brocoli, avec les extrémités de la tige dirigées vers le bord du plat et les pointes vers le centre.
- Lors de la cuisson de légumes coupés, couvrez toujours le plat avec un couvercle ou un film plastique ventilé pour micro-onde.
- Les légumes entiers non pelés tels que pommes de terre, patates douces, courges, aubergines, etc., doivent avoir la peau piquée à plusieurs endroits avant la cuisson pour éviter qu'ils n'éclatent.
- Pour une cuisson plus uniforme, remuez ou réarrangez les légumes entiers à mi-cuisson.
- La plupart du temps, plus les aliments sont denses, plus le temps de repos requis est long. Par exemple, une pomme de terre au four doit reposer pendant 5 minutes avant de servir, tandis qu'un plat de petits pois peut être servi immédiatement.



## Cuisson de fruits de mer au micro-onde

Veillez à placer le poisson sur une grille à rôtir pour micro-onde dans un plat pour micro-onde. Assurez-vous de toujours cuire le poisson jusqu'à ce qu'il s'émiette facilement avec une fourchette. Utilisez une couverture

étanche pour cuire le poisson à la vapeur ; une couverture plus légère de papier ciré ou de serviette en papier fournit moins de vapeur. Et assurez-vous de ne pas trop cuire le poisson ; vérifiez sa cuisson à un temps de cuisson minimum avant continuer plus longtemps.

Fruits de mer	Niveau de puissance	Temps de cuisson	Consignes
Steaks de poisson jusqu'à 1 ½ livre	Moyen-élevé (7)	7–11 min. /livre	Disposez les poissons sur une grille à rôtir avec les portions de viande vers l'extérieur de la grille. Couvrez de papier ciré. Retournez et réorganisez à mi-cuisson. Faites cuire jusqu'à ce que le poisson s'émiette facilement à la fourchette. Laissez reposer 3 à 5 minutes.
Filets de poisson jusqu'à 1 ½ livre	Moyen-élevé (7)	7–11 min. /livre	Disposez les filets dans un plat pour four, en retournant les morceaux fins. Couvrez de papier ciré. Si supérieure à ½ pouce d'épaisseur, retournez et réarrangez à mi-cuisson. Faites cuire jusqu'à ce que le poisson s'émiette facilement à la fourchette. Laissez reposer 2 à 3 minutes.
Crevettes jusqu'à 1 ½ livre	Moyen-élevé (7)	7–11 min. /livre	Disposez les crevettes dans un plat pour four sans chevauchement ni superposition. Couvrez de papier ciré. Faites-les cuire jusqu'à ce qu'elles deviennent fermes et opaques, en remuant 2 ou 3 fois. Laissez reposer 5 minutes.

## Nettoyage et maintenance

### ⚠ ATTENTION

Assurez-vous que l'appareil a refroidi et que la graisse s'est solidifiée avant d'essayer de nettoyer toute partie de l'appareil.

### Guide de nettoyage

- Pour de meilleures performances et pour des raisons de sécurité, gardez le four propre à l'intérieur et à l'extérieur. Veillez tout particulièrement à ce que le panneau intérieur de la porte et le cadre avant du four soient exempts de nourriture et d'accumulation de graisse.

- N'utilisez jamais de poudre à récurer ou de tampons abrasifs avec le micro-onde. Essuyez l'intérieur et l'extérieur du four à micro-ondes avec un chiffon doux et une solution détergente douce tiède (pas chaude). Puis rincez et essuyez complètement.
- Essuyez immédiatement les éclaboussures avec une serviette en papier humide, surtout après la cuisson d'aliments gras comme le poulet ou le bacon.
- Nettoyez votre four à micro-ondes une fois par semaine ou plus souvent, si nécessaire.
- Ne faites jamais fonctionner le four à micro-ondes sans aliments dans la cavité, sauf si le préchauffage avec le mode Convection, Pizza, Aliments congelés et Maintenir au chaud ; cela peut endommager le tube magnétron ou le plateau en céramique. Il vaut mieux laisser un verre d'eau dans le four lorsqu'il n'est pas utilisé pour éviter tout dommage s'il est allumé accidentellement.

Partie	Recommandations
Cavité du four	Gardez l'intérieur (cavité) du four propre. Les particules de nourriture et les liquides renversés peuvent coller aux parois du four qui risque de ne pas fonctionner efficacement. Essuyez immédiatement les éclaboussures. Utilisez un chiffon propre et humide et un savon doux. <b>N'UTILISEZ PAS</b> de détergents agressifs ou de nettoyants abrasifs. Pour faciliter l'élimination de particules d'aliments ou de liquides cuits au four, faites chauffer 2 verres d'eau (ajoutez le jus d'un citron si vous souhaitez que le four conserve une odeur fraîche) dans un verre doseur de 4 tasses à puissance élevée pendant 5 minutes ou jusqu'à ébullition. Laissez reposer dans la cavité du four pendant 1 ou 2 minutes. Pour les éclaboussures de graisse cuite au four, lavez à l'eau chaude savonneuse, rincez et séchez.

<b>Partie</b>	<b>Recommandations</b>
Étagère grillagée	Lavez à l'eau savonneuse. Rincez abondamment et séchez ou frottez doucement avec de la poudre nettoyante ou des tampons remplis de savon comme indiqué. La grille peut également être lavée au lave-vaisselle.
Plateau tournant en métal	Retirez le plateau tournant en métal du four lors du nettoyage de la cavité et du plateau du four. Nettoyez le plateau tournant en métal à l'eau savonneuse tiède ou au lave-vaisselle.
Plateau en céramique	Nettoyez à l'eau tiède savonneuse ou au lave-vaisselle.
Joint de porte	Essuyez avec un chiffon humide.
Vitre de porte	Lavez avec du savon et de l'eau ou un nettoyant pour vitres. Appliquez Fantastik® ou Formula 409® sur une éponge ou une serviette en papier propre et essuyez. Évitez d'utiliser des produits de nettoyage en poudre, des tampons en laine d'acier et des nettoyants pour four. Si de la vapeur s'accumule à l'intérieur ou à l'extérieur de la porte du four, l'essuyer avec un chiffon doux. La vapeur peut s'accumuler lors du fonctionnement du four dans une humidité élevée et n'indique en aucun cas une fuite de micro-ondes.
Surfaces peintes	Nettoyez à l'eau chaude savonneuse ou appliquez Fantastik® ou Formula 409® sur une éponge ou une serviette en papier propre et essuyez. Évitez d'utiliser des produits de nettoyage en poudre, des tampons en laine d'acier et des nettoyants pour four.
Surfaces en inox/extérieures	Essuyez ou frottez toujours dans le sens des grains. Nettoyez avec une éponge savonneuse, puis rincez et séchez, ou essuyez avec Fantastik® ou Formula 409® sur une serviette en papier. Protégez et polissez avec de l'acier inoxydable Magic® et un chiffon doux. Éliminez les taches d'eau avec un chiffon imbibé de vinaigre blanc.
Plastique et commandes	Une fois refroidi, nettoyez à l'eau savonneuse, rincez et séchez.
Zones imprimées (texte et chiffres)	N'utilisez pas de nettoyants abrasifs ou de solvants à base de pétrole.

## **Garantie**

---

### **Ce que couvre cette garantie limitée :**

La couverture de la garantie fournie par Forno Appliances dans cette déclaration s'applique exclusivement à l'appareil Forno original ("Produit") vendu au consommateur ("Acheteur") par un concessionnaire/distributeur/détaillant Forno agréé, acheté et installé aux États-Unis ou au Canada, et qui est toujours resté dans le pays d'achat d'origine (les États-Unis ou le Canada). La couverture de la garantie est activée à la date de l'achat initial du produit au détail et a une durée de deux (2) ans.

La couverture de la garantie n'est pas transférable. En cas de remplacement de pièces ou de l'ensemble du produit, le produit de remplacement (ou les pièces) bénéficiera de la garantie d'origine restante, activée avec le document d'achat au détail d'origine. La présente garantie n'est pas étendue à ce remplacement. Forno Appliances réparera ou remplacera tout composant/partie qui tombe en panne ou s'avère défectueux en raison des matériaux et/ou de la fabrication dans les deux ans suivant la date de l'achat au détail d'origine et dans des conditions d'utilisation résidentielle ordinaire et non commerciale. La réparation ou le remplacement sera gratuit, y compris la main-d'œuvre aux taux standard et les frais d'expédition. Il incombe à l'acheteur de rendre le produit raisonnablement accessible pour l'entretien. Le service de réparation doit être effectué par une société de service agréée par Forno pendant les heures normales de travail.

### **Important**

Conserver la preuve de l'achat original pour établir la période de garantie. La responsabilité de Forno pour toute réclamation de quelque nature que ce soit, concernant les marchandises et/ou les services fournis, ne dépassera en aucun cas la valeur des marchandises ou des services ou d'une partie de ceux-ci qui ont donné lieu à la réclamation.

### **garantie cosmétique de 30 jours**

L'acheteur doit inspecter le produit au moment de la livraison. Forno garantit que le produit est exempt de défauts de fabrication et de main-d'œuvre pendant une période de trente (30) jours à compter de la date d'achat au détail du produit.

Cette couverture comprend :

- Défauts de peinture
- Chips
- Défauts de finition macroscopiques

### **La garantie cosmétique ne couvre PAS :**

- Problèmes résultant d'un transport, d'une manipulation et/ou d'une installation incorrects (par exemple : bosses, structures ou composants cassés, gauchis ou déformés, composants en verre fissurés ou autrement endommagés) ;
- Légères variations de couleur sur les composants peints/émaillés ;
- Les différences dues à l'éclairage naturel ou artificiel, à l'emplacement ou à d'autres facteurs analogues ; > les taches/corrosion/décoloration dues à des substances externes et/ou à des facteurs environnementaux ; > les coûts de main-d'œuvre, les appareils d'exposition, d'étage, de stock B, hors boîte, "en l'état" et les appareils de démonstration.

### **Comment recevoir un service**

Pour bénéficier des services de garantie, l'acheteur doit contacter le service d'assistance de Forno afin de déterminer le problème et les procédures de service requises. Un dépannage avec un représentant du service clientèle sera nécessaire avant de poursuivre le service. Le numéro de modèle, le numéro de série et la date d'achat au détail seront demandés.

## Garantie (suite)

---

### Exclusions de la garantie : Ce qui n'est pas couvert.

- L'utilisation du produit dans une application commerciale non résidentielle.
- L'utilisation du produit à d'autres fins que celles prévues.
- Les services de réparation fournis par toute personne autre qu'une agence de service agréée par Forno.
- Les dommages ou les services de réparation pour corriger des services fournis par des parties non autorisées ou l'utilisation de pièces non autorisées.
- L'installation n'est pas conforme aux codes du feu, aux codes électriques, aux codes du gaz, aux codes de plomberie, aux codes du bâtiment, aux lois ou aux réglementations locales/de l'État/de la ville/du comté.
- Défauts ou dommages dus à un stockage inadéquat du produit.
- Défauts, dommages ou pièces manquantes sur les produits vendus hors de l'emballage d'origine ou des présentoirs. > Les appels de service ou les réparations visant à corriger une installation incorrecte du produit et/ou des accessoires connexes.
- Remplacement de pièces/appels de service pour connecter, convertir ou réparer le câblage électrique et/ou la conduite de gaz afin d'utiliser correctement le produit.
- Remplacement de pièces/appels de service pour fournir des instructions et des informations sur l'utilisation du produit.
- Remplacement de pièces/appels de service pour corriger des problèmes résultant de l'utilisation du produit d'une manière autre que celle qui est normale et habituelle pour un usage résidentiel.
- Remplacement de pièces/appels de service en raison de l'usure des composants tels que les joints, les boutons, les supports de casseroles, les étagères, les paniers à couverts, les boutons, les écrans tactiles, les plateaux en vitrocéramique rayés ou cassés.
- Remplacement des pièces/appels de service en cas de manque d'entretien ou d'entretien inadéquat, y compris, mais sans s'y limiter, l'accumulation de résidus, de taches, de rayures, de décoloration et de corrosion.
- Défauts et dommages résultant d'accidents, de modifications, d'une mauvaise utilisation, d'un abus ou d'une installation incorrecte.
- Défauts et dommages résultant du transport, de la logistique et de la manutention des produits. L'inspection du produit doit être effectuée au moment de la livraison. Après réception et inspection, le revendeur/livreur doit être informé de tout problème lié à la manutention, au transport et à la logistique.
- Défauts et dommages résultant de forces extérieures échappant au contrôle de Forno Appliances, y compris, mais sans s'y limiter, le vent, la pluie, le sable, les incendies, les inondations, les coulées de boue, les températures glaciales, l'humidité excessive ou l'exposition prolongée à l'humidité, les surtensions, la foudre, les défaillances structurelles entourant l'appareil et d'autres cas de force majeure.
- Produits dont le numéro de série a été modifié, endommagé ou altéré. En aucun cas Forno ne sera tenu pour responsable des dommages causés aux biens environnants, y compris les meubles, les armoires, les revêtements de sol, les panneaux et autres structures entourant le produit. Forno n'est pas responsable du produit s'il est situé dans une région éloignée ou dans une région où des techniciens certifiés et formés ne sont pas raisonnablement disponibles. L'acheteur doit prendre en charge les frais de transport et de livraison du produit jusqu'au centre de service agréé le plus proche ou les frais de déplacement supplémentaires d'un technicien certifié et formé

IL N'EXISTE AUCUNE GARANTIE EXPRESSE AUTRE QUE CELLES ÉNUMÉRÉES ET DÉCRITES CI-DESSUS, ET AUCUNE GARANTIE, EXPRESSE OU IMPLICITE, Y COMPRIS, MAIS SANS S'Y LIMITER, TOUTE GARANTIE IMPLICITE DE QUALITÉ MARCHANDE OU D'ADÉQUATION À UN USAGE PARTICULIER QUI S'APPLIQUERAIT APRÈS LES PÉRIODES DE GARANTIE EXPRESSE INDIQUÉES CI-DESSUS, ET AUCUNE AUTRE GARANTIE EXPRESSE OU GARANTIE DONNÉE PAR UNE PERSONNE, UNE ENTREPRISE OU UNE SOCIÉTÉ CONCERNANT CE PRODUIT NE SERA CONTRAIGNANTE POUR FORNO. FORNO N'EST PAS RESPONSABLE DES PERTES DE REVENUS OU DE PROFITS, DE LA NON-RÉALISATION D'ÉCONOMIES OU D'AUTRES AVANTAGES, DE L'ABSENCE AU TRAVAIL, DES REPAS, DE LA PERTE DE NOURRITURE OU DE BOISSONS, DES FRAIS DE VOYAGE OU D'HÔTEL, DES FRAIS DE LOCATION OU D'ACHAT D'APPAREILS, DES FRAIS DE RÉNOVATION/CONSTRUCTION DÉPASSANT LES DOMMAGES DIRECTS INDÉNIABLEMENT CAUSÉS EXCLUSIVEMENT PAR FORNO OU DE TOUT AUTRE DOMMAGE SPÉCIAL, ACCESSOIRE OU CONSÉCUTIF CAUSÉ PAR L'UTILISATION, LA MAUVAISE UTILISATION OU L'INCAPACITÉ D'UTILISER CE PRODUIT, QUELLE QUE SOIT LA THÉORIE JURIDIQUE SUR LAQUELLE REPOSE LA RÉCLAMATION, ET MÊME SI FORNO A ÉTÉ INFORMÉE DE LA POSSIBILITÉ DE TELS DOMMAGES. DE MÊME, LE MONTANT DE TOUT RECOUVREMENT À L'ENCONTRE DE FORNO NE POURRA ÊTRE SUPÉRIEUR AU PRIX D'ACHAT DU PRODUIT VENDU PAR FORNO ET À L'ORIGINE DU DOMMAGE ALLÉGUÉ. SANS PRÉJUDICE DE CE QUI PRÉCÈDE, L'ACHETEUR ASSUME TOUS LES RISQUES ET TOUTES LES RESPONSABILITÉS EN CAS DE PERTE, DE DOMMAGE OU DE BLESSURE DE L'ACHETEUR ET DE SES BIENS, AINSI QUE D'AUTRES PERSONNES ET DE LEURS BIENS, RÉSULTANT DE L'UTILISATION, DE LA MAUVAISE UTILISATION OU DE L'INCAPACITÉ D'UTILISER CE PRODUIT VENDU PAR FORNO ET NE RÉSULTANT PAS DIRECTEMENT D'UNE NÉGLIGENCE DE LA PART DE FORNO CETTE GARANTIE LIMITÉE NE S'ÉTEND À PERSONNE D'AUTRE QUE L'ACHETEUR D'ORIGINE DE CE PRODUIT, N'EST PAS TRANSFÉRABLE ET CONSTITUE VOTRE SEUL ET UNIQUE RECOURS.







PN:16170000B01340

Soutien à la clientèle : Appelez le 1-866-231-8893 ou envoyez un courriel : [info@forno.ca](mailto:info@forno.ca)