

| | | |
|--------------|--------------|---------------|
| PURCHASER | P.O. # | DATE |
| PROJECT | LOCATION | |
| ENGINEER | ARCHITECT | |
| SUBMITTED BY | FOR APPROVAL | FOR REFERENCE |

| ITEM | PLAN DESIGNATION | QUANTITY | COOLING BTU/H | VOLTAGE | FRIEDRICH MODEL |
|------|------------------|----------|---------------|---------|-----------------|
| | | | | | |
| | | | | | |
| | | | | | |
| | | | | | |
| | | | | | |



115 VOLT MODELS
 FSHSW09A1A, FSHSW12A1A



230/208 VOLT MODELS
 FSHSW18A3A, FSHSW24A3A, FSHSW36A3A



**WIRELESS
 REMOTE CONTROL**

FEATURES

- Inverter technology is more energy efficient and can self-adjust capacity to match cooling needs
- Multiple operating modes including: auto, cool, dry, fan only and heat
- TURBO mode operates the unit at maximum performance to quickly bring the room to set temperature
- 4 fan speeds heating or cooling: high, medium, low, "quiet", plus auto-fan
- Continuous 'Air Sweep' up & down
- LCD remote
- 24-hour timer and sleep timer
- Indoor unit will briefly display set or room temperature
- Auto-restart after power interruptions
- Auto-shut flaps close when unit is off for a sleek appearance
- Washable antimicrobial air filters
- 115V/230V models will provide cooling in outdoor temperatures down to 0°F
- Optional remote for cool only operation - Part No. DFACC



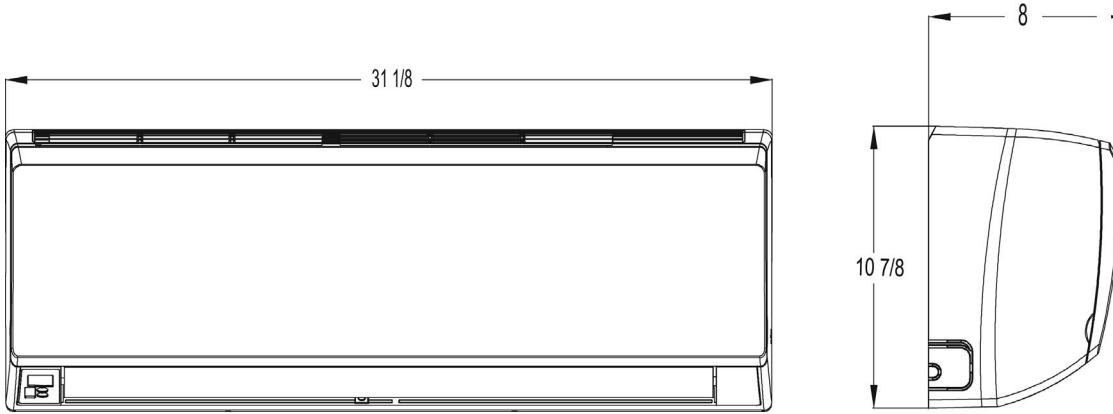
SPECIFICATIONS

| PERFORMANCE RATINGS | | 115 volt models | | | 230/208 volt models | |
|--|------------|--------------------------|---------------------|--------------------------|----------------------|--------------------------|
| SYSTEM MODEL NO. | | FSHW091 | FSHW121 | FSHW183 | FSHW243 | FSHW363 |
| INDOOR MODEL | | FSHSW09A1A | FSHSW12A1A | FSHSW18A3A | FSHSW24A3A | FSHSW36A3A |
| OUTDOOR MODEL | | FSHSR09A1A | FSHSR12A1A | FSHSR18A3A | FSHSR24A3A | FSHSR36A3A |
| SPECIFICATIONS | | | | | | |
| CAPACITY COOLING (RATED) | Btu | 9000 | 12000 | 18000 | 24000 | 36000 |
| CAPACITY COOLING MIN - MAX | Btu | 3753-9724 | 3753-12500 | 3412-20472 | 8600-24000 | 7404-35997 |
| CAPACITY HEATING (RATED) @ 47°F | Btu | 9500 | 13000 | 19800 | 24000 | 34600 |
| CAPACITY HEATING (RATED) @ 17°F | Btu | 6800 | 7100 | 12800 | 14600 | 20200 |
| CAPACITY HEATING MIN - MAX | Btu | 2081-12283 | 3412-05013 | 3412-21837 | 8600-26000 | 14979-35997 |
| SENSIBLE HEAT RATIO | | 0.79 | 0.73 | 0.77 | 0.77 | 0.75 |
| HSPF | | 9.0 | 9.0 | 9.0 | 10.0 | 9.0 |
| SEER | | 18.0 | 18.0 | 18.0 | 18.0 | 18.0 |
| EER | | 10.0 | 10.1 | 9.89 | 11.0 | 8.2 |
| MOISTURE REMOVAL | Pts/h | 1.69 | 2.96 | 3.8 | 4.23 | 7.4 |
| AIRFLOW (HIGH/MED/LOW/QUIET) | CFM | 318/288/241/171 | 400/318/241/194 | 500/441/383/294 | 588/441/306/206 | 883/765/647/559 |
| SOUND RATING - INDOOR (HIGH/MED/LOW/QUIET) | dB-A | 43/38/34/28 | 43/39/35/29 | 47/44/41/35 | 49/46/42/36 | 54/49/44/37 |
| SOUND RATING - OUTDOOR | dB-A | 52 | 53 | 57 | 58 | 65 |
| OPERATING RANGE (HEATING) | °F | -4-75 | -4-75 | -13-75 | -13-75 | -4-75 |
| OPERATING RANGE (COOLING) | °F | 0-115 | 0-115 | 0-115 | 0-115 | 0-115 |
| EST. YEARLY OPERATING COST | U.S. \$ | \$67 | \$113 | \$146 | \$198 | \$368 |
| ELECTRICAL DATA | | | | | | |
| POWER SOURCE | V-Hz-Phase | 115-60-1 | 115-60-1 | 230/208-60-1 | 230/208-60-1 | 230/208-60-1 |
| MIN. AMPACITY | A | 17 | 20 | 16 | 16 | 24 |
| COOLING WATTS | W | 900 | 194 | 1820 | 2010 | 4100 |
| COOLING AMPS | | 10.87 | 13.0 | 8.1 | 17.0 | 10.87 |
| HEATING WATTS | W | 870 | 1250 | 2090 | 2130 | 3800 |
| HEATING AMPS | | 10.36 | 13.5 | 8.5 | 9.45 | 16.5 |
| MAX. TD FUSE/BREAKER | A | 25 | 30 | 25 | 25 | 40 |
| REFRIGERATION SYSTEM | | | | | | |
| REFRIGERANT | | R410A | R410A | R410A | R410A | R410A |
| COMPRESSOR TYPE | | Inverter | Inverter | Inverter | Inverter | Inverter |
| CONNECTIONS | | Flare | Flare | Flare | Flare | Flare |
| LIQUID LINE O.D. | in | 1/4" | 1/4" | 1/4" | 1/4" | 1/4" |
| SUCTION LINE O.D. | in | 3/8" | 3/8" | 1/2" | 5/8" | 5/8" |
| REFRIGERANT CHARGE | oz. | 24.7 | 31.8 | 45.68 | 56.4 | 91.71 |
| FACTORY PRECHARGE | ft | 25 | 25 | 25 | 25 | 25 |
| MIN. / MAX. LINE LENGTH | ft | 7/66 | 7/98 | 10/82 | 10/82 | 15/98 |
| MAX. HEIGHT DIFFERENCE | ft | 32.8 | 49.2 | 65.0 | 65.6 | 32.8 |
| DIMENSIONS & WEIGHT | | | | | | |
| INDOOR UNIT | | | | | | |
| W x H x D | in | 31 1/8 x 10 7/8 x 8 | 31 1/8 x 11 3/8 x 8 | 33 1/4 x 11 7/8 x 9 | 42 1/2 x 12 7/8 x 10 | 53 1/8 x 12 7/8 x 10 |
| NET WEIGHT | lbs | 20.9 | 23.2 | 30.9 | 37.5 | 42.0 |
| SHIPPING WEIGHT | lbs | 25.4 | 27.6 | 37.5 | 45.2 | 51.8 |
| OUTDOOR UNIT | | | | | | |
| W x H x D | in | 33 1/2 x 21 1/4 x 12 5/8 | | 37 5/8 x 27 5/8 x 15 5/8 | | 38 5/8 x 31 1/8 x 16 7/8 |
| NET WEIGHT | lbs | 62.8 | 67.3 | 97.0 | 103.6 | 161 |
| SHIPPING WEIGHT | lbs | 68.4 | 72.8 | 106.9 | 113.5 | 171.9 |
| TOTAL NET WEIGHT | lbs | 83.7 | 90.5 | 127.9 | 141.1 | 203 |
| TOTAL SHIPPING WEIGHT | lbs | 93.8 | 100.4 | 144.4 | 158.7 | 223.7 |

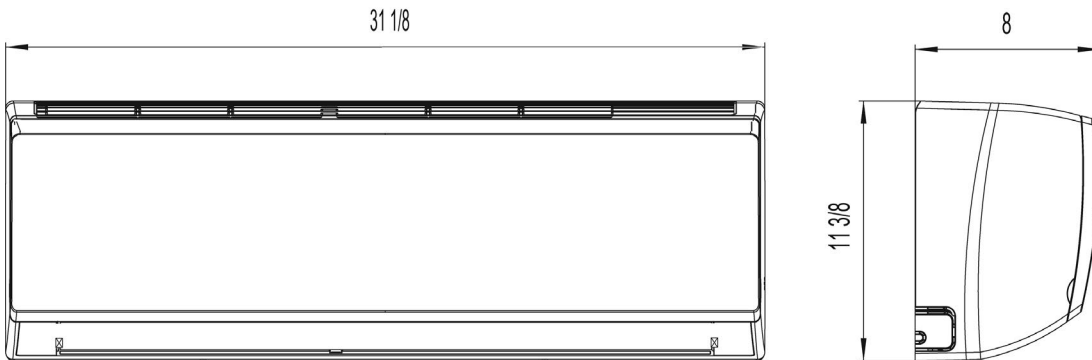
Due to continuing research in new energy-saving technology, specifications are subject to change without notice.



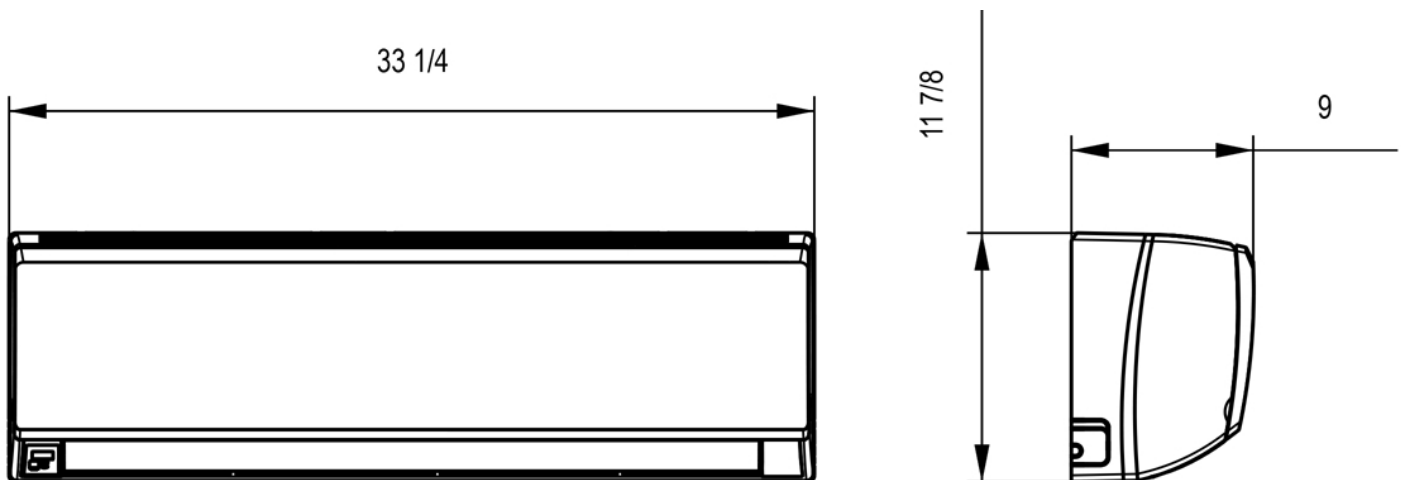
DIMENSIONAL DRAWINGS
INDOOR UNITS / FSHSW09A1A



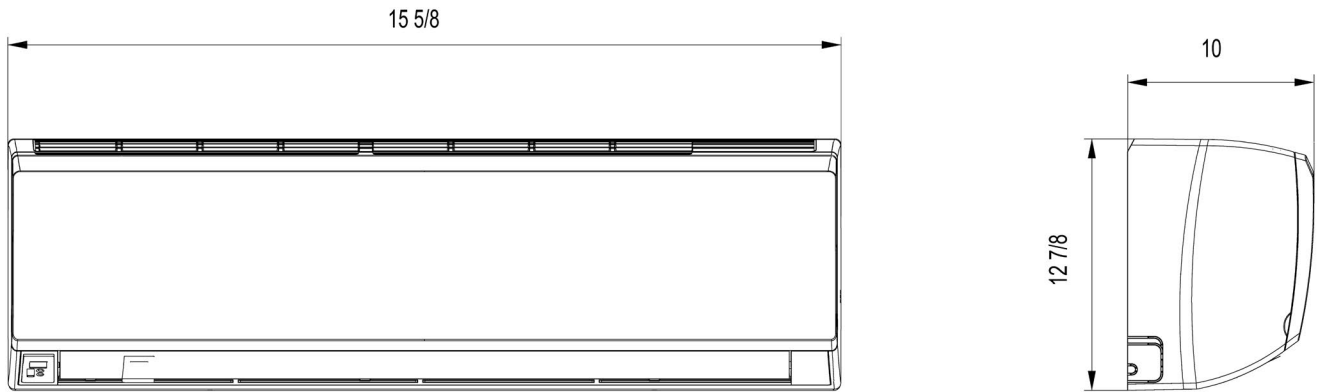
INDOOR UNITS / FSHSW12A1A



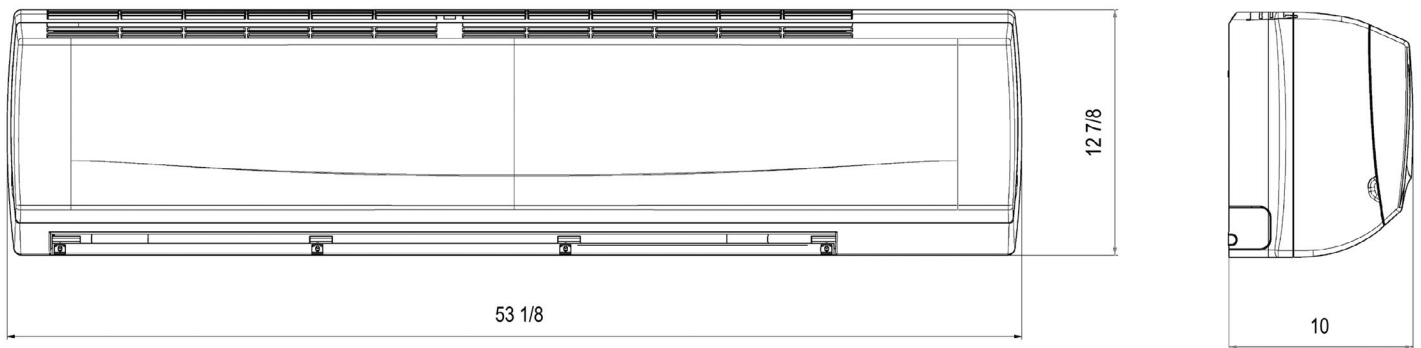
INDOOR UNITS / FSHSW18A3A



DIMENSIONAL DRAWINGS
INDOOR UNIT / FSHSW24A3A

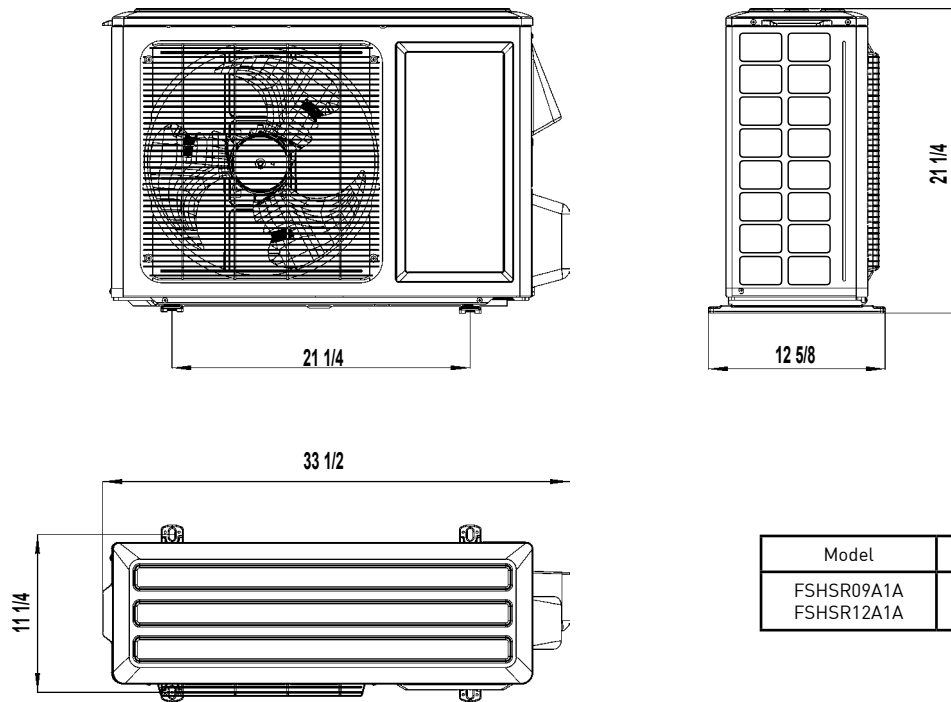


DIMENSIONAL DRAWINGS
INDOOR UNIT / FSHSW36A3A

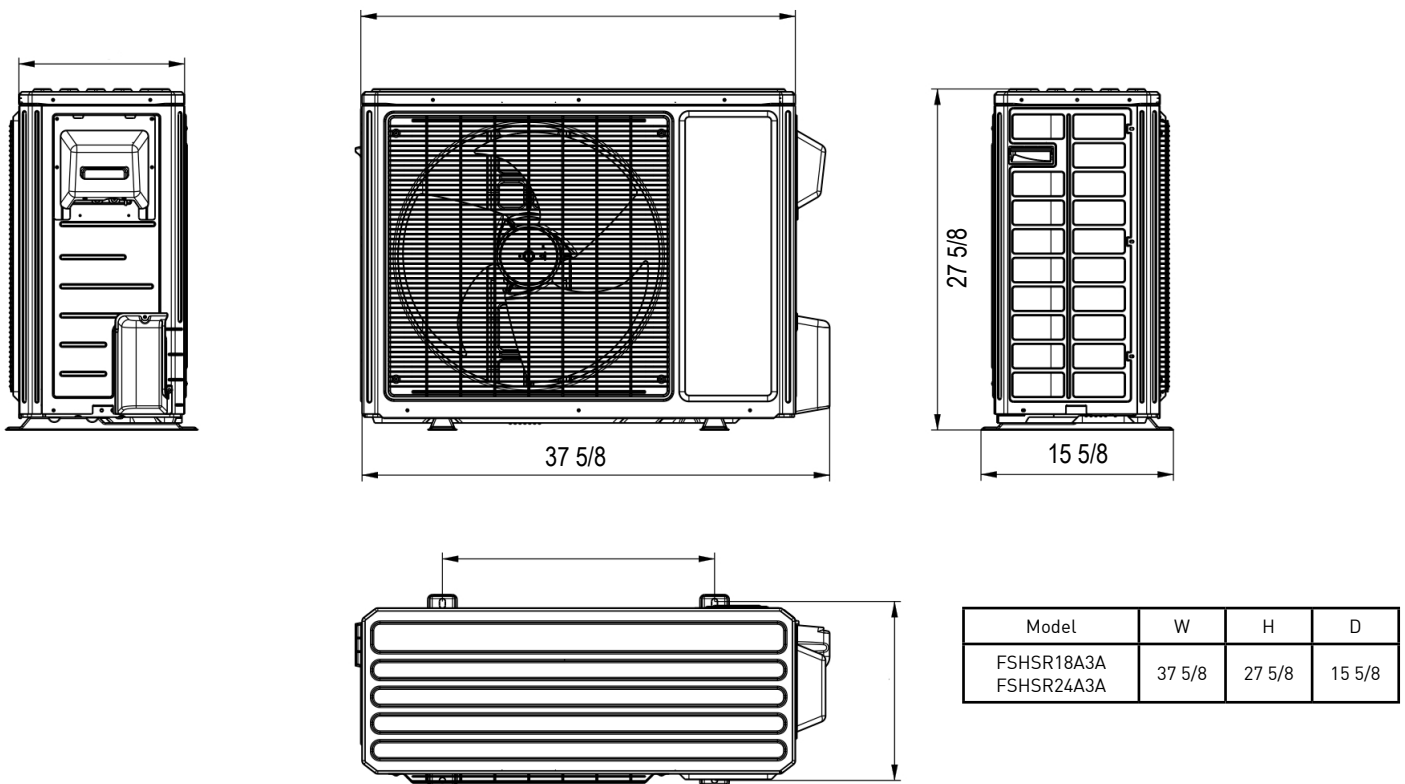


DIMENSIONAL DRAWINGS

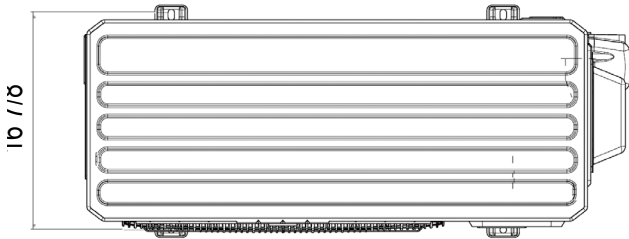
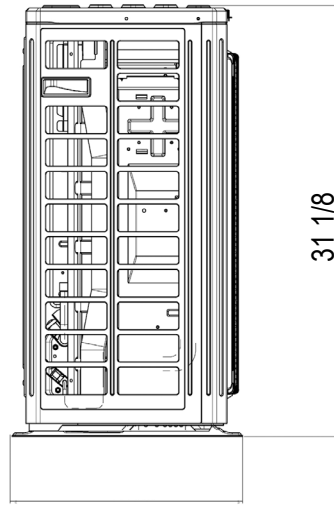
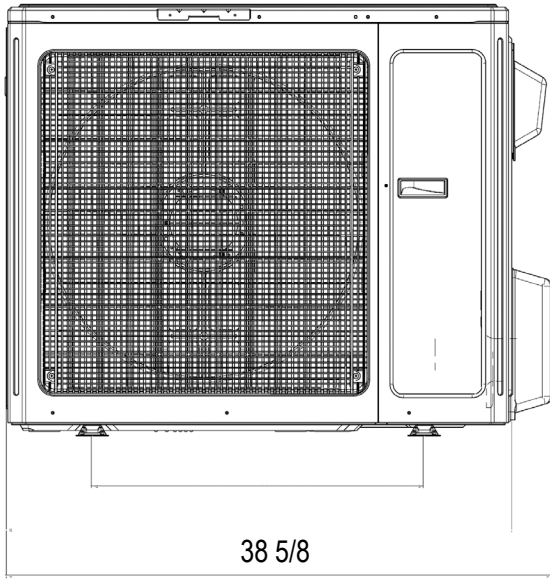
OUTDOOR UNITS / FSHSR09A1A, FSHSR12A1A



OUTDOOR UNITS / FSHSR18A3A, FSHSR24A3A



DIMENSIONAL DRAWINGS
OUTDOOR UNIT / FSHSR36A3A



| Model | W | H | D |
|------------|--------|--------|--------|
| FSHSR36A3A | 38 5/8 | 31 1/8 | 16 7/8 |

OPTIONAL ACCESSORIES



DFACC

LCD remote for cooling only operation



FSWC1

Optional wired wall controller

LINE SETS

REFRIGERATION LINE SETS MIN./MAX. LENGTHS

| Floating Air® Select | | |
|----------------------|----|----|
| FSHW091 | 10 | 66 |
| FSHW121 | 10 | 66 |
| FSHW183 | 10 | 82 |
| FSHW243 | 10 | 82 |
| FSHW363 | 15 | 98 |

REFRIGERATION LINE SETS (REQUIRED) OUTSIDE DIMENSIONS

| Floating Air® Select Wall-mounted | | | | |
|-----------------------------------|-----|-----|--------|--------|
| FSHW091 | 1/4 | 3/8 | T32150 | T32350 |
| FSHW121 | 1/4 | 3/8 | T32150 | T32350 |
| FSHW183 | 1/4 | 1/2 | T42150 | T42350 |
| FSHW243 | 1/4 | 5/8 | T52150 | T52350 |
| FSHW363 | 1/4 | 5/8 | T52150 | T52350 |

TORQUE WRENCH SETTINGS

| Outside Diameter | | Torque | |
|------------------|------|---------|-------------|
| mm | inch | ft-lbs. | N-m |
| 6.35 | 1/4 | 13 - 18 | 17.6 - 24.5 |
| 9.52 | 3/8 | 25 - 30 | 33.3 - 41.2 |
| 12.7 | 1/2 | 40 - 47 | 53.9 - 64.7 |
| 15.88 | 5/8 | 45 - 59 | 61.7 - 80.4 |