

EN INSTALLATION & OPERATING INSTRUCTIONS
FR GUIDE D'INSTALLATION & D'UTILISATION

Condenser tumble dryer Sèche-linge à condenseur

FAGOR 

1 / FOR THE USER'S ATTENTION	
• Important safety instructions _____	3
• Energy savings _____	5
2 / DESCRIPTION OF YOUR APPLIANCE	
• General presentation of the tumble dryer _____	6
3 / INSTALLING YOUR TUMBLE DRYER	
• The appliance's surroundings _____	7
• Levelling _____	8
• Built-in installation _____	8
• Combined washer/dryer installation _____	9
• Modifying the door opening direction _____	9
• Electrical connection _____	10
• Replacing the electric power cable _____	10
4 / PREPARING YOUR ITEMS	
• Checking the condition of your textiles _____	11
• Inserting the items in the drum _____	11
5 / OPERATING INSTRUCTIONS AND PROGRAMMING	
• Presentation of the control panel _____	12
• Programming a drying cycle _____	12
• Your drier's programs _____	16
6 / USER-MAINTENANCE INSTRUCTIONS	
• Cleaning the filter _____	17
• Emptying the condensation container _____	17
• Direct evacuation of water condenser _____	18
• Cleaning the condenser _____	19
• Cleaning the appliance _____	19
7 / TROUBLESHOOTING _____	20
8 / AFTER-SALES SERVICE _____	21
• Changing the bulb _____	21



Warning :

Please read the user guide carefully before turning on your appliance so that you can learn how to use it as quickly as possible.

• IMPORTANT SAFETY INSTRUCTIONS



WARNING :

To reduce the risk of fire, electric shock, or injury to persons when using your appliance, follow basic precautions, including the following :

- Read all instructions before using the appliance.
- Do not dry articles that have been previously cleaned in, washed in, soaked in, or spotted with gasoline, dry-cleaning solvents, or other flammable or explosive substances, as they give off vapours that could ignite or explode.
- Do not allow children to play on or in the appliance. Close supervision of children is necessary when the appliance is used near children.
- Before the appliance is removed from service or discarded, remove the door to the drying compartment.
- Do not reach into the appliance if the drum is moving.
- Do not install or store this appliance where it will be exposed to the weather.
- Do not tamper with controls.
- Do not repair or replace any part of the appliance or attempt any servicing unless specifically recommended in the user-maintenance instructions or in published user-repair instructions that you understand and have the skills to carry out.
- Do not use fabric softeners or products to eliminate static unless recommended by the manufacturer of the fabric softener or product.
- Do not use heat to dry articles containing foam rubber or similarly textured rubber-like materials.
- Clean lint screen before or after each load.
- Keep area around the exhaust opening and adjacent surrounding areas free from the accumulation of lint, dust, and dirt.
- The interior of the appliance should be cleaned periodically by qualified service personnel.
- Do not place items exposed to cooking oils in your dryer. Items contaminated with cooking oils may contribute to a chemical reaction that could cause a load to catch fire.

• Grounding instructions

- This appliance must be grounded. In the event of malfunction or breakdown, grounding will reduce the risk of electric shock by providing a path of least resistance for electric current.
- This appliance is equipped with a cord having an equipment-grounding conductor and a grounding plug. The plug must be plugged into an appropriate outlet that is properly installed and grounded in accordance with all local codes and ordinances.



WARNING :

Improper connection of the equipment-grounding conductor can result in a risk of electric shock. Check with a qualified electrician or service representative or personnel if you are in doubt as to whether the appliance is properly grounded.

Do not modify the plug provided with the appliance: if it will not fit the outlet, have a proper outlet installed by a qualified electrician.

SAVE THESE INSTRUCTIONS

**Important :**

Keep these operating instructions with your appliance. If you should sell your machine or give it to someone else, ensure that the operating instructions are provided. Please take note of these safety instructions before installing and using your appliance. They have been written for your safety and that of others.

• SAFETY INSTRUCTIONS**• Installation**

– When you receive the appliance, unpack it or have it unpacked immediately. Check that it has not suffered any damage during transport. Express any reservations in writing on the delivery slip and keep a copy.

Never connect a damaged appliance.

If your appliance is damaged, please contact your dealer.

– Before connecting your appliance, please refer to the installation instructions.

– Your tumble dryer must be kept disconnected from the mains supply throughout the whole installation process.

– The electrical connection details shown on your appliance's information plate must match those of the local mains supply.

– Once your appliance has been installed, the electrical plug must remain accessible.

– Do not alter or try to alter the appliance's characteristics. This could be dangerous.

– If your installation requires alteration, only entrust the electrical and plumbing work to qualified electricians and plumbers.

– The appliance must not be installed behind a locking door, a sliding door or a door with hinges on the opposite side to those on the dryer.

– Your appliance is designed for normal domestic use. Do not use it for commercial or industrial purposes or for any purpose other than the one for which it has been designed

• Children's safety

– This appliance must only be used by adults. Do not let children play with the appliance and keep pets away from it.

– Keep young children away from the appliance when it is operating.

– Keep the packaging materials out of children's reach (e.g.: plastic bags, polystyrene, etc.) because they can be dangerous for children : risk of suffocation.

– This appliance is not intended for use by persons (including children) with reduced physical, sensory or mental capabilities, or lack of experience and knowledge, unless they are supervised or instructed concerning use of the appliance by the person responsible for their safety.

• Use**Important :**

Your tumble dryer is designed for domestic use only, for drying textiles suitable for tumble drying.

Important :

You must observe the following instructions. We decline any responsibility and rescind the guarantee if these recommendations are ignored : failure to observe them can result in material damage and physical injury.

– Use your appliance in accordance with its method of use, thereby avoiding injury to yourself and damage to your items. Do not use solvents in the appliance (risk of fire and explosion).

– Strictly comply with the care instructions on your laundry.

– If you have to open the door of the drum during the drying cycle, ensure that you do not touch the drum immediately, as it is very hot.

– Substances contained in soiling such as oil, acetone, alcohol, petrol, kerosene, stain removers, turpentine or wax must be removed before drying in your machine (by using an adapted warm water washing programme with additional detergent for example).

– Precautions for using stain-removing products : any preliminary treatment by solvent, stain-remover, aerosol, such as acetone, alcohol, gasoline, kerosene, térébentine is prohibited because these products are very inflammable. If your laundry requires this type of treatment, this must be done before washing. Similarly, we recommend that you do not use these products near to the dryer or, in general, near any electrical appliance in a poorly ventilated room in order to avoid any risk of an explosion.

– If any incidents occur, which you cannot resolve using the troubleshooting advice we provide (see "TROUBLESHOOTING"), contact our Technical Service Center.

– Before disposing of your worn-out appliance, make it unusable. Unplug and cut off the power cable flush with the appliance and make the door lock inoperable.

– For your safety's sake, if you wish to change your appliance's power cable, contact a qualified electrician.

– If any operating anomalies occur, disconnect your appliance and call our Technical Service Center.

• ENERGY SAVINGS

– Spin your textiles at high speeds ; the residual dampness will be low, as will your energy consumption. Even synthetic textiles must be spun before drying.

– Place the maximum load in your machine ; this will optimize the energy used. When doing so, comply with the indications on volume provided in this instruction manual.

– The drying time and the energy consumption are both increased by a high ambient temperature and too small a room.

– Clean the filter after each drying cycle.

– Clean the condenser twice a month.

• GENERAL PRESENTATION OF THE TUMBLE DRYER

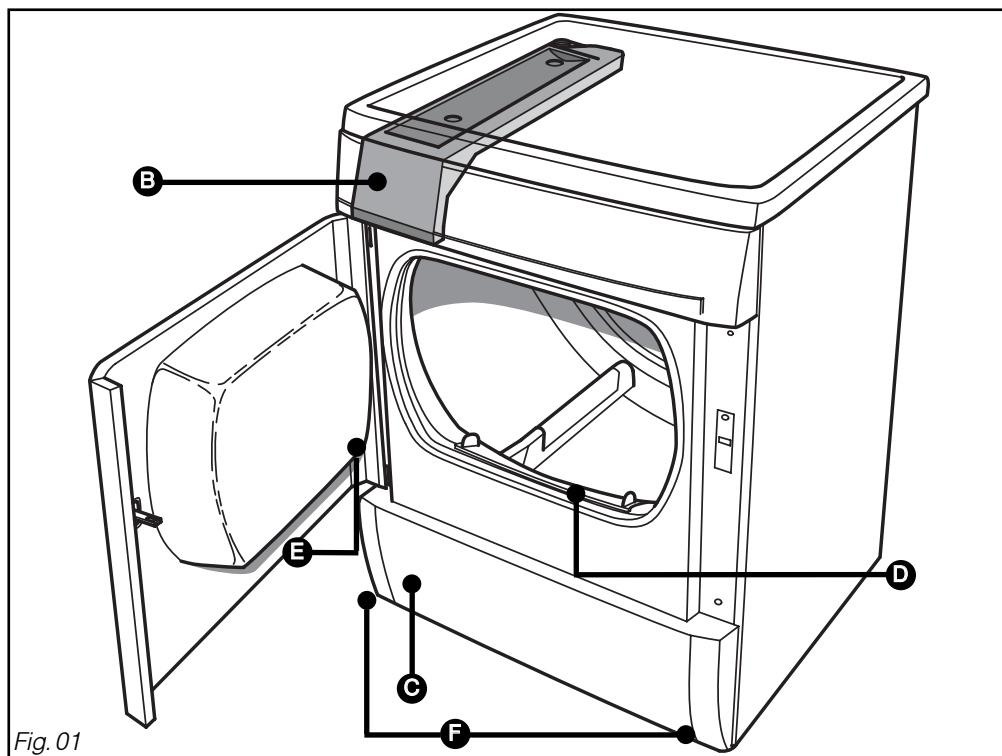


Fig. 01

A Control panel

B Condensate container

C Condenser grill

D Filter

E Information plate (Reference for After-Sales)

F Adjustable feet

• THE APPLIANCE'S SURROUNDINGS



Advice :

Your tumble dryer releases heat. If you place it next to another appliance or a unit, we advise you always to leave a space in-between to assist in air circulation (Fig. 02).



Important :

We strongly advise against :

- Installing your appliance on a carpeted floor. If you cannot avoid this, take all possible measures not to obstruct the circulation of air at its base.
- Installing your dryer in a location where it can be subject to being splashed with water.
- Installing your dryer in a small closed room (if this is the case, open the door or the window during drying)
- Installing your dryer in a poorly ventilated room. The temperature in the room must remain below 30°C during drying.

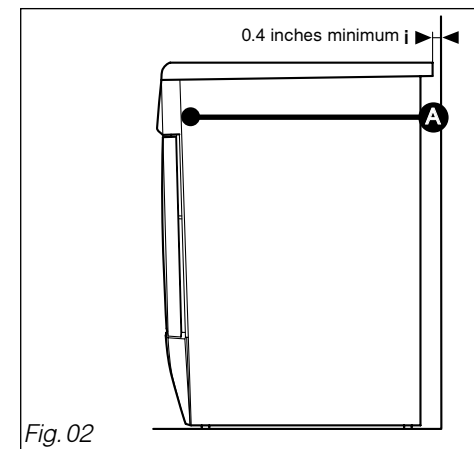


Fig. 02

• LEVELLING



Important :

Use a level to check that the appliance is horizontal :

- Your dryer is fitted with 4 adjustable feet (Fig.03). To adjust the stability and levelness :
- Tip it slightly backwards
 - Screw one or more of the feet in or out using a spanner or a screwdriver to adjust their height to suit the shape of the floor (Fig.03)
 - Set your dryer back on its feet and check that it is stable.

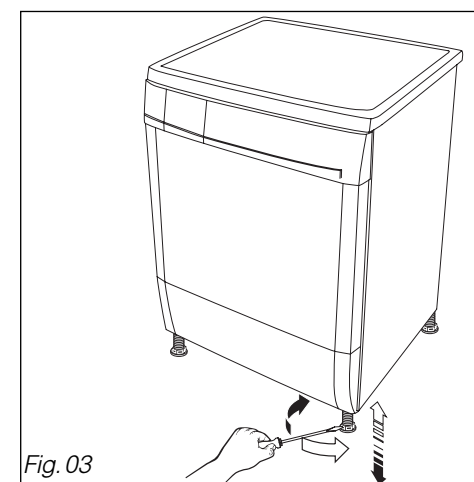


Fig. 03

• IMPORTANT SAFETY INSTRUCTIONS

• Grounding instructions

- This appliance must be grounded. In the event of malfunction or breakdown, grounding will reduce the risk of electric shock by providing a path of least resistance for electric current.
- This appliance is equipped with a cord having an equipment-grounding conductor and a grounding plug. The plug must be plugged into an appropriate outlet that is properly installed and grounded in accordance with all local codes and ordinances.

⚠ WARNING :

Improper connection of the equipment-grounding conductor can result in a risk of electric shock. Check with a qualified electrician or service representative or personnel if you are in doubt as to whether the appliance is properly grounded.

Do not modify the plug provided with the appliance: if it will not fit the outlet, have a proper outlet installed by a qualified electrician.

SAVE THESE INSTRUCTIONS

• BUILT-IN INSTALLATION

⚠ Important :

If you are fitting the appliance underneath a worktop, you must either keep the original laminated top, or replace it with a slimmer version using a kit available for this purpose from your dealer. For safety reasons, the appliance must never be operated without a top.

• COMBINED WASHER/DRYER INSTALLATION

An adaptation kit is available from your dealer. This is used to mount your tumble dryer above your washing machine.



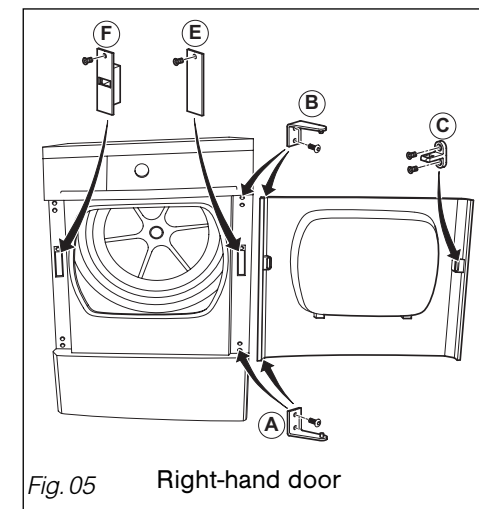
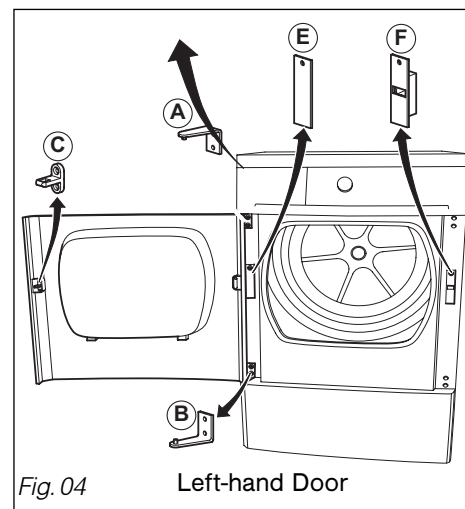
Important :

Check with your dealer that the kit is compatible with your washing machine. For safety reasons, fitting must be performed by a qualified professional.

• MODIFYING THE DOOR OPENING DIRECTION

If you wish, you can alter the direction the door opens as follows (Fig. 04 or 05).

- Remove the 4 screws in the front panel holding the hinges **A** and **B**.
- Reverse the hinge **A** and fasten it back on.
- Refit the door on the hinge **A**.
- Reverse the hinge **B** and fasten it back on.
- Reverse the positions of the lock **F** and the cover **E** on the machine's front.
- Reverse the positions of the bolt **C**.



• ELECTRICAL CONNECTION

The dryer must be installed in accordance with all local codes or, in the absence of a local code :

- in the **U.S.A.**, in accordance with the National Electric Code, ANSI/NFPA 70 - latest edition/State and Municipal codes and/or local codes.

- in **Canada**, in accordance with the Canadian Electric Code, C22.1 - latest edition/Provincial and Municipal codes and/or local codes.



Danger :

To make the electrical connection to your appliance :

- **Do not use an extension, an adapter, a multiple socket or a programmable timer.**
- **The plug must be easily accessible but be out of children's reach.**
- **If there's any doubt about the condition of your installation, contact your installer or a qualified Brandt-approved professional.**
- **Never eliminate the electrical Earthing system.**

The Dryer comes with a 16AWG Cord and NEMA 6-15P plug
It should be connected to a 240V, 15A, 60Hz AC 2 Phases + wire grounding power outlet (NEMA 6-15R) is necessary.

We cannot be held responsible for any incident caused by poor electrical installation.

• REPLACING THE ELECTRIC POWER CABLE



Important :

To ensure your safety, this must be carried out by the manufacturer's after-sales service team or a qualified professional.



Advice :

In order to easily find your appliance's reference numbers in the future, we recommend that you note them down on the "After-Sales Service and Consumer Relations" page (this page also explains where to find these on your appliance).

Your appliance complies with UL 2158 (Electric clothes Dryer).

• CHECKING THE CONDITION OF YOUR TEXTILES



Advice :

If, before you insert your clothes in the tumble dryer, you notice any stains, even after washing, do not dry the items concerned. As a general rule, stains that have been ironed or tumble-dried can no longer be removed.

Please refer to the instructions for treating stubborn stains provided in most washing machine instruction manuals and, in particular, wash the stained items again.

• **Preparing your items :**

- Close all zippers and snap buttons.
- Remove any loose buttons, pins or hook fasteners.
- Knot any belts, apron strings, etc...
- Empty pockets.

– Always adhere to the manufacturer's instructions when using softening products.



Important :

Do not tumble-dry the following articles :

- Clothing including rubber like materials (for example: shower caps, waterproof clothing and textiles, linings, pillows etc.)
- Chlorofibres (Thermolactyl* for example)
*Registered trademark
- Items containing underwiring that could become detached
- Bulky items (duvets, eiderdowns, etc...)
- Laundry that has not been spun
- Laundry cleaned with inflammable chemicals.



Important :

Check the labels on your textiles

Normal drying		Gentle drying	
Do not tumble dry			

• INSERTING YOUR ITEMS IN THE DRUM

- Open the door by pushing (press where the label is) (Fig. 06).
- Check that the filter is in its housing .
- Insert washed and spun clothes loosely in the drum **without folding it or piling it up.**
- Take care not to let any fabrics get caught in the door.
- Close the door.

• **Recommended volumes :**

- The maximum capacity of the dryer is 8 kg.
- To reduce creasing and optimize drying times, we recommend you do not overload the machine.

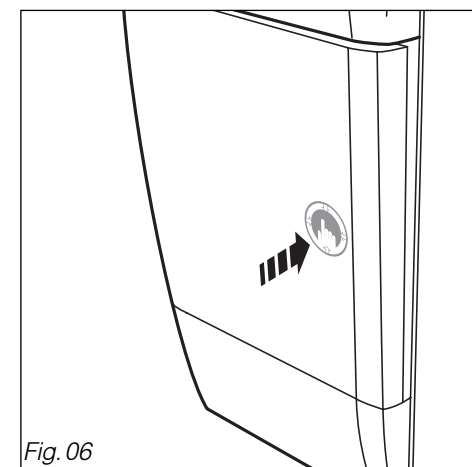
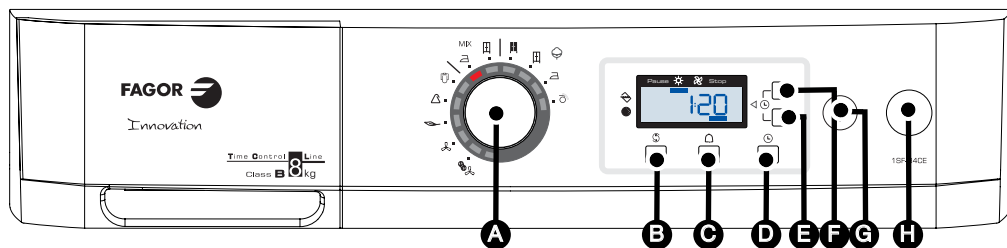


Fig. 06

⚠ WARNING :
To reduce the risk of fire, electric shock, or injury to persons, read the **IMPORTANT SAFETY INSTRUCTIONS** before operating this appliance.

• PRESENTATION OF THE CONTROL PANEL



- A** Programs dial
- B** Anti-creasing
- C** Beeper
- D** Extra drying time

- E** Delay timer “-”
- F** Delay timer “+”
- G** Start/Pause
- H** On/Off

• PROGRAMMING A DRYING CYCLE

• Starting the appliance :

Check that the power cable is plugged in. *The appliance will not start unless the door is properly closed.*

Press the “On/Off” button **H**.

Select your program (see the table “Your dryer’s programs” on the following pages) by turning the **programs dial A** (it turns in both directions). The indicator light shows you the program you have selected.

Press “Start/Pause” **G** and the program will start.

The screen tells you the time remaining, which becomes more precise as the drying cycle progresses.

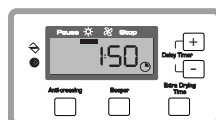
• “MEMO ACTIV’ ” function :

Your dryer remembers the programs that you use most often.

After a few drying cycles, the program displayed when you switch on your machine is the one that you have used most often.

Program progress

Time remaining



• Delaying a program’s start :

Select your program using the **program dial A**. The indicator light shows you the program you have selected.

Press the “Delay timer +” button **F** to delay the start of your program thirty minutes at a time until you reach the desired delay time (max 23 ½ hours). To decrease the differed starting time, press the “Delay timer -” button **E**.

Confirm by pressing the “Start/Pause” button **G**.

The display shows you how much time remains before your program starts.

Once the **time delay** has expired, the program actually starts. The screen tells you the time remaining, which becomes more precise as the drying cycle progresses.

• Adding or removing an item during drying :

Press “Start/Pause” **G** to interrupt drying or open the door.

Insert or remove the item or items and close the door.

Press the “Start/Pause” button **G** to resume drying.

• Altering programming or drying during operation :

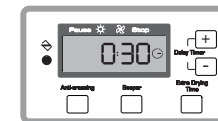
If you have entered the wrong program, you can change your selection during the cycle.

Press “Start/Pause” **G** to interrupt drying. Select another program using the program dial.

Press the “Start/Pause” button **G** to resume drying.

Time remaining until drying cycle begins

Delayed start



Program stop



Time remaining




Advice :

Consult the Programs table on the next page to determine the program needed for the type of items being dried.


• Stopping the appliance :

At the end of the program, the “Filter”  and “Tank Full”  lights flash alternately to remind you that you must clean the filter and empty the water collection tank after every drying cycle :


Press the “On/Off” button  and empty your drier.

Clean the filter and empty the water collection tank (see the “REGULAR MAINTENANCE” section).


• “Anti-creasing” option :

The “Anti-creasing” option fluffs the textiles every 10 minutes for up to 24 hours, until the door is opened or the machine is turned off. It begins as soon as the drying finishes and prevents the clothes from settling in the machine. To select this function, press the “Anti-creasing” . An indicator lights up to show that this option has been activated.

• “Beeper” option :

Press the “Buzzer” button . At the end of drying, three beeps will sound every 10 minutes for one hour until the door is opened or the appliance is stopped. The indicator light corresponding to this option lights up at the bottom of the screen, indicating that the buzzer is activated.

• “Additional Drying” option :

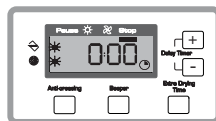
This function enables you to add drying time at the end of a program in units of 10 minutes by successively pressing the “Extra Drying Time” button .

Press the “Start/Pause” button. The additional drying time is added at the end of the selected program.

Remarks :

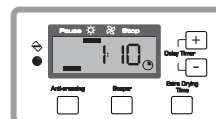
The “Anti-creasing” and “Beeper” options remains selected from one program to the next. You can simply press the button to deactivate these options, even during a program.

End of program

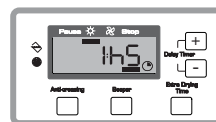


The “Filter” and “Tank Full” lights flash

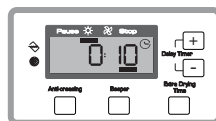
“Anti-creasing” option



“Beeper” option




Additional time

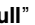


• Cooling cycle :

All programs finish with a cooling cycle that lasts for a few minutes to allow the washing to cool gradually.

 **Important :**
Do not stop your dryer before this cycle has finished.

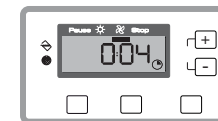
• During the cycle :

Your tank is full during the drying cycle. The appliance stops during the program. The “Tank Full”  and “Pause” turns on, the time remaining flashes.

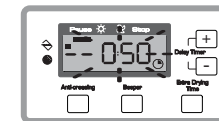
Proceed to empty your water collection tank (see the “REGULAR MAINTENANCE” section).

Press “Start/Pause”  to restart your program.

Cooling cycle




Program stop



The “Tank Full” light illuminates.

 **Important :**
A power failure cancels the current program. In this case, you have to reset all the programming operations.

 **Advice :**
As a safety measure, you are advised to unplug the power cable when you are not using the appliance.

• YOUR DRIER'S PROGRAMS

Regular programs	Type of textile	Drying results
COTTON		
Extra Dry	Cotton	Dry
Dry	Cotton	Dry
Damp Dry	Cotton	Slightly damp
Heavy Duty	Cotton	Damp
REGULAR TEXTILES		
Dry	Regular textiles	Dry
Damp Dry	Regular textiles	Slightly damp
Other drying programs		
Permanent Press	Synthetic, easy iron	Dry
Delicates	Delicate, synthetic	Dry
Ultra Delicates	Very delicate: silk, light synthetic lingerie ...	Dry
Refreshing and airing your textiles after prolonged storage		
Air Dry	Other textiles	15 minutes
Air Dry - Wool	Woollens already dry	6 minutes

• CLEANING THE FILTER

Important :
Please remember that the filter must be cleaned after every drying.

The filter is located in the lower part of your dryer.

Clean it as follows:

- Remove it from its housing by pulling it upwards (Fig. 07)
- Open the filter (Fig. 08)
- Clean it by removing the thin coating of fluff covering it (Fig. 09)

Ensure that there is no fluff accumulating round the dryer.

Important :
Do not wash filter with water (Fig. 10).
– Re-insert it in its housing, pushing it well in.

• EMPTYING THE CONDENSATION CONTAINER

This is located at the top of your appliance. It collects the water extracted from your items as they are dried.

- To empty it, release it from its housing by pulling it towards you (Fig. 11).

Important :
The condensation container must be emptied after each drying cycle (Fig.12).

Important :
Risk of frost : if there is a risk of frost, empty the condensation container.

Important :
Moving the appliance : empty the condensation container if you wish to move or tilt your appliance.
– Empty the container (Fig. 12).

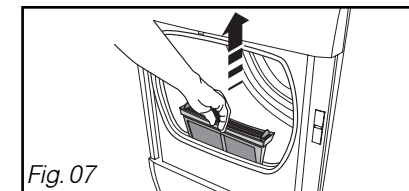


Fig. 07

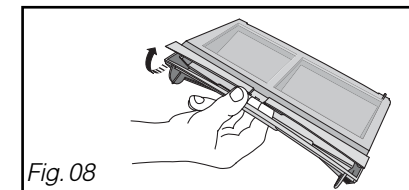


Fig. 08

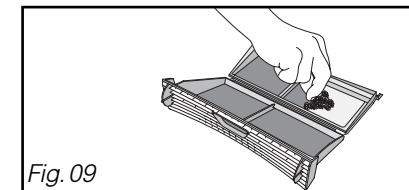


Fig. 09

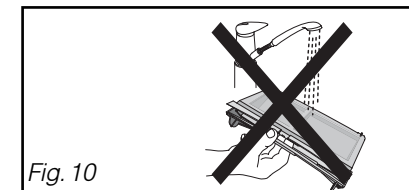


Fig. 10

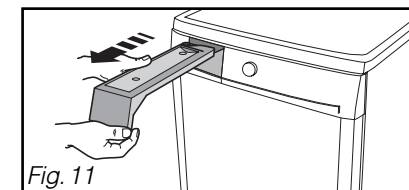


Fig. 11

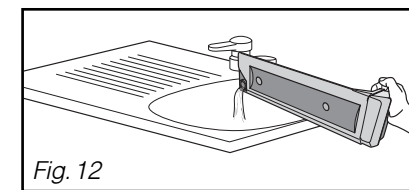


Fig. 12

• DIRECT EVACUATION OF WATER CONDENSER

To avoid having to empty the collection tank every time you use the appliance, you have a kit (*) for removing the water from the condenser directly into the drain (hose and deflector). To fit this :

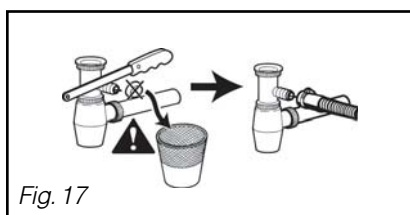
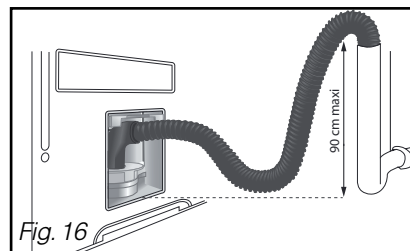
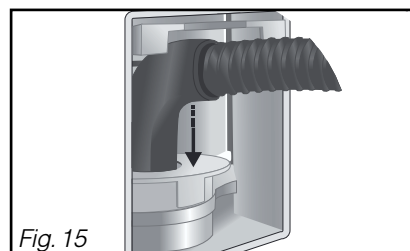
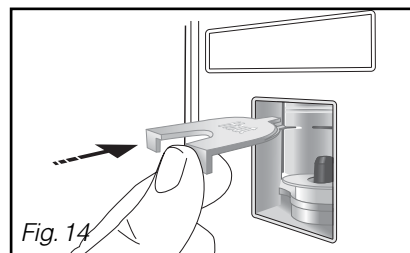
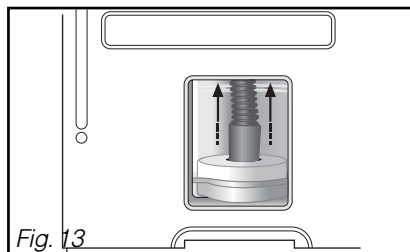
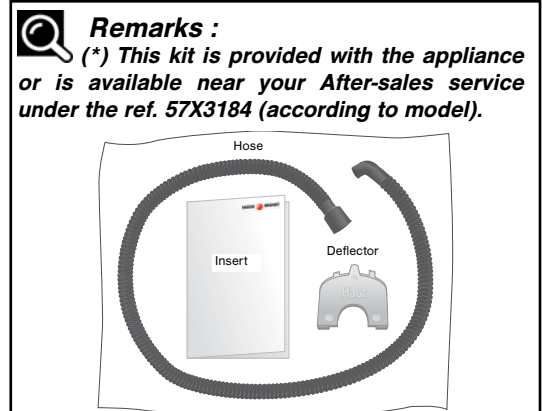
- Take off the existing pipe and push it inside the appliance (Fig. 13).
- Clip the deflector with the top of the pump (Fig. 14).
- Connect the hose from the kit to the end connector on the appliance (Fig. 15)

You can connect the other end of the hose either :

- To a ventilated trap (Fig. 16).
- Or a sink trap (Fig. 17).

When connecting to a trap, you must remove the filler plug. Then press home the rubber tip. If necessary, add a clamp connection (Fig. 17).

⚠ Important :
The deflector must be positioned before the drain hose connection to avoid any water splashes when taking off the hose.



• CLEANING THE CONDENSER

⚠ Important :
The condenser must be cleaned twice a month.

⚠ Important :
Unplug the power cable from the socket before cleaning the condenser.

- Open the grill at the front of the appliance.
- Release the condenser (Fig.18).
- Remove it carefully (Fig.19).
- Remove any fluff from the condenser.
- Clean it with water only under the tap (Fig.20).
- After cleaning, ensure that none of the tubes are “blocked” and that the fins are clean.
- Rub it superficially.
- Re-insert the condenser and lock it in place. Close the grill.

⚠ Important :
When refitting the condenser, ensure that it is pushed in firmly right to the back of its housing when locking it in

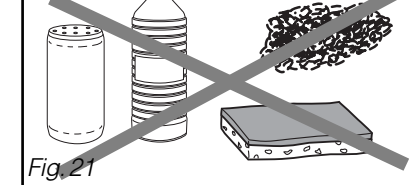
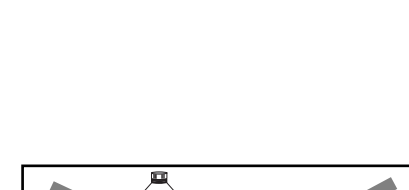
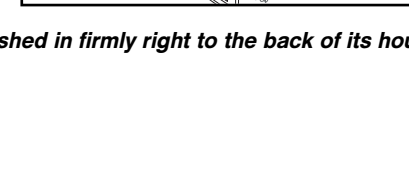
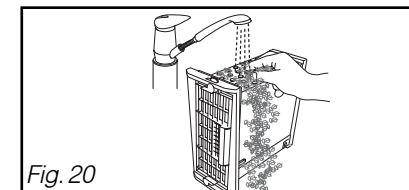
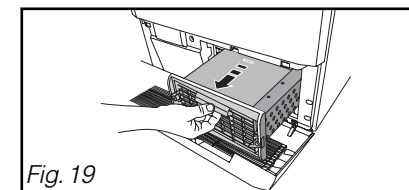
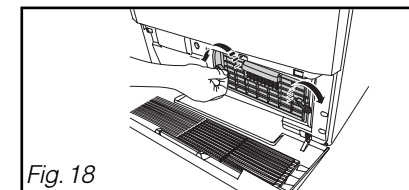
• CLEANING THE APPLIANCE

🔍 Advice :
To clean the control panel, the access to the drum and the casing, use only a sponge or a damp cloth and some soapy water.

- Ensure that there is no fluff accumulating round the dryer.
- Clean the door seal with a damp cloth.
- Clean the filter housing with your vacuum cleaner once a year.

You should **not use**, under any circumstances (Fig 21):

- Abrasive powders
- Metal or plastic sponges
- Alcohol-based products (alcohol, thinners, etc.)



**Advice :**

Some incidents may arise when you are using your dryer. Here are the points you should check.

Fault :	Check whether :
The dryer does not start :	<ul style="list-style-type: none"> - The plug is in the socket - The On/Off button is pressed in - The door is properly closed - The condenser is correctly locked in place.
The drying times are too long :	<ul style="list-style-type: none"> - The filter in the drum is clogged with fluff - The laundry has been spun enough beforehand (500rpm minimum, but spinning at 850rpm provides better drying times) - The condenser is not clogged. - The air inlets and outlets are unobstructed enough to ensure correct air circulation. - The drying program selected matches the type of items in the drum.
The laundry is too damp :	<ul style="list-style-type: none"> - The filter in the drum is clogged with fluff - The type of drying has been selected correctly (too low) : switch to the next programme up or increase the drying time. - The condenser is not blocked by fluff.
The laundry is too dry, too creased :	<ul style="list-style-type: none"> - The drying time selected is too long : the drying time is better to be too short than too long: this avoids the laundry becoming too dry and difficult to iron.
The items are unevenly dried :	<ul style="list-style-type: none"> - The types of textiles in the load are too different (e.g. sheets together with jeans) - The laundry has been laid correctly 'unfolded' in the dryer - The drum is not overloaded.
The synthetic items are loaded with static electricity :	<ul style="list-style-type: none"> - The laundry has been dried too much - You have used softener during washing. By using this product, you can reduce most of the problems with static electricity.
The "Tank Full" indicator light is lit :	<ul style="list-style-type: none"> - The condensate container is full : once you have emptied it, re-insert it correctly, pushing it completely into its housing
The "Tank Full" indicator light illuminates although the tank is empty :	<ul style="list-style-type: none"> - Check whether the container has been properly inserted: push it in completely. - Check if the condenser is tightly locked on the two sides.

• INTERVENTIONS

Any work on your appliance must be performed by a brand approved qualified professional. When you call, mention your appliance's full reference (model, type, serial number). These details are shown on the manufacturer's information plate (Fig. 22).

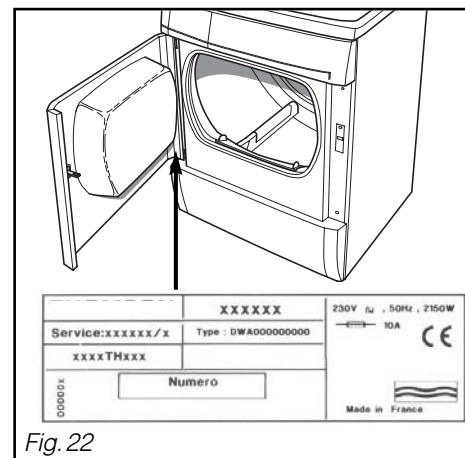


Fig. 22

• CHANGING THE BULB

You can replace the light bulb (type E14-15W/230V) yourself (Fig. 23).

**Important :**

Unplug the power cord before changing the bulb.

To do this :

- Unscrew the glass cover located to the left inside the appliance.
- Unscrew the extinguished bulb and replace it.
- Screw on the glass cover tightly.

**Important :**

The bulb must be replaced when the appliance is cooled down.

ORIGINAL PARTS

During any maintenance work, ask that only **certified original replacement parts be used.**

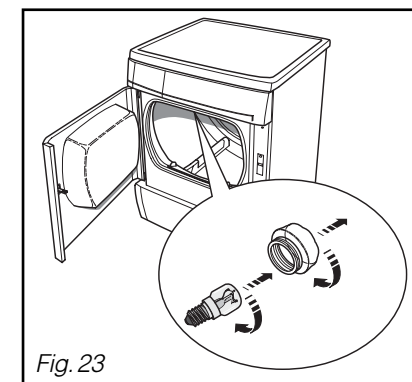


Fig. 23

