

# FZU18L



|                  |                 |
|------------------|-----------------|
| Product family   | Freezers        |
| Installation     | Built-in        |
| Category         | One Door        |
| Reference width  | Until 60        |
| Reference height | Higher than 200 |
| Cooling type     | No-frost        |
| Hinge            | Door-to-door    |
| Hinge position   | Left            |



## Aesthetic

|               |           |                       |       |
|---------------|-----------|-----------------------|-------|
| Aesthetics    | Universal | Drawers profile color | White |
| Material      | Steel     | Display               | TFT   |
| Side material | Metal     |                       |       |

## Freezer features



|                   |     |
|-------------------|-----|
| Freezer lighting  | Yes |
| Freezer lighting  | LED |
| Number of drawers | 3   |

## Other Freezer features

|           |            |
|-----------|------------|
| Ice maker | Automatico |
|-----------|------------|

## Other technical features



|                      |  |                             |            |
|----------------------|--|-----------------------------|------------|
| Display functions    | Holiday, Fast-freezing, MultiZone, Sabbath | Type of temperature control | Electronic |
| Fast-freezing button | Yes  | No. of compressors          | 1          |
| Power-on light       | Yes  | Refrigerant gas type        | R600a      |
| Door-open alarm      | Yes  | Type of compressor          | Inverter   |
| Temperature Alarm    | Yes  | Refrigerant quantity        | 57 oz      |
| Antibacterial Gasket | Yes  |                             |            |

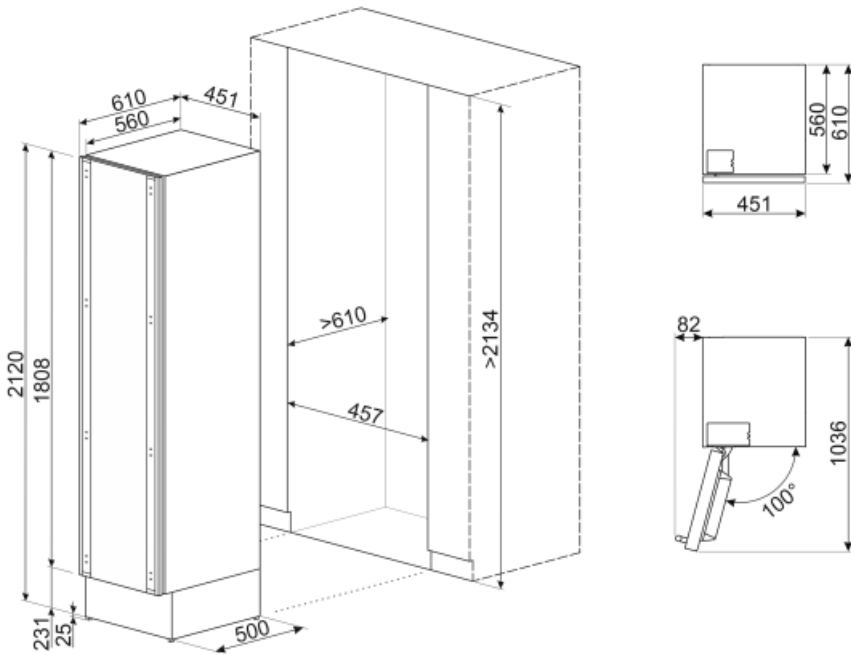
Metal panel on the back Metal of the fridge

## Performance / Energy Label NEW

|                           |              |                |              |
|---------------------------|--------------|----------------|--------------|
| Annual energy consumption | 480 KWh/year | Climatic class | SN, N, ST, T |
| Total volume              | 61.3 gal     |                |              |

## Electrical Connection

|         |              |                   |          |
|---------|--------------|-------------------|----------|
| Plug    | (B) USA 120V | Frequency (Hz)    | 60 Hz    |
| Current | 2.5 A        | Power cord length | 78 3/4 " |
| Voltage | 115 V        |                   |          |



---

## Symbols glossary (TT)

---



**Fast freezing:** The fast freezing function brings the temperature of the compartment down when activated a few hours prior to usage.



**LED interior lighting:** is a more energy efficient and long lasting way of illuminating the interior of the appliance.



**Multizone:** Multizone compartment can be used as a refrigerator or a freezer compartment. Depending on your needs and eating habits, you can select settings, program the temperature using.



**Power saving mode:** The power saving mode allows you to disable the refrigerator and keep the freezer working.



**Inverter technology:** The evolution of Smeg's driers towards more intelligent and environmentally sustainable models has led to the choice of using Inverter technology with heat pumps, which reduces significantly energy consumption.



**No Frost:** The No Frost and Frost free systems prevent ice from forming so that no defrosting is required.