



FX510BGS

5.8 cu. ft. Freestanding Gas Range with Convection

Features

- Large Oven Capacity – 5.8 cu. ft.
- 5 Porcelain Enamel (Black) burners
- Continues Matte Grates
- 17000 BTU power burner
- Large oval burner
- Convection Cooking
- Convection Bake
- Convection Roast
- Storage Drawer

Convenience

- Auto Oven Light
- Auto Shut Off Option
- Proofing
- Sabbath Mode
- Kitchen Timer
- Delay Start
- Child Safety Lock
- Self-Clean (2 / 3 / 4 hrs.)
- 4 Easy Cook Pre-Sets
- Custom Cook
- 2 Chrome Oven Racks



5.8 cu ft Freestanding Gas Range with Fan Convection



5 burners



Fan Convection Cooking



Signature Features

Available Colors

- Stainless Steel (shown)

Fan Convection Cooking

Fan convection cooks food faster producing juicier meats, flakier crusts and perfectly roasted vegetables.

Versatile Cooktop

Five Burners including a large oval center and a 17K BTU power burner gives you ultimate control of your foods for serious and even cooking.

Large Capacity

Extra-large 5.8 cu. ft. oven accommodates everyday needs as well as turkey roasters and extra large baking sheets.

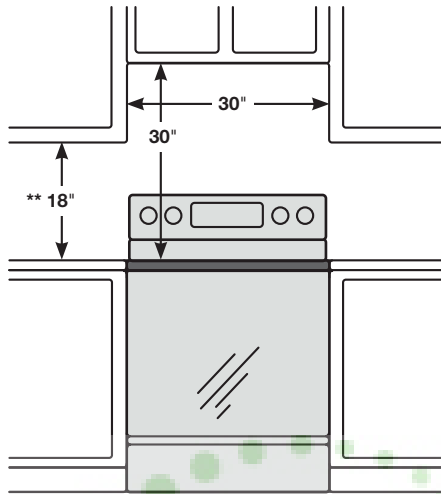
FX510BGS

5.8 cu. ft. Freestanding Gas Range with Convection

Installing your Range

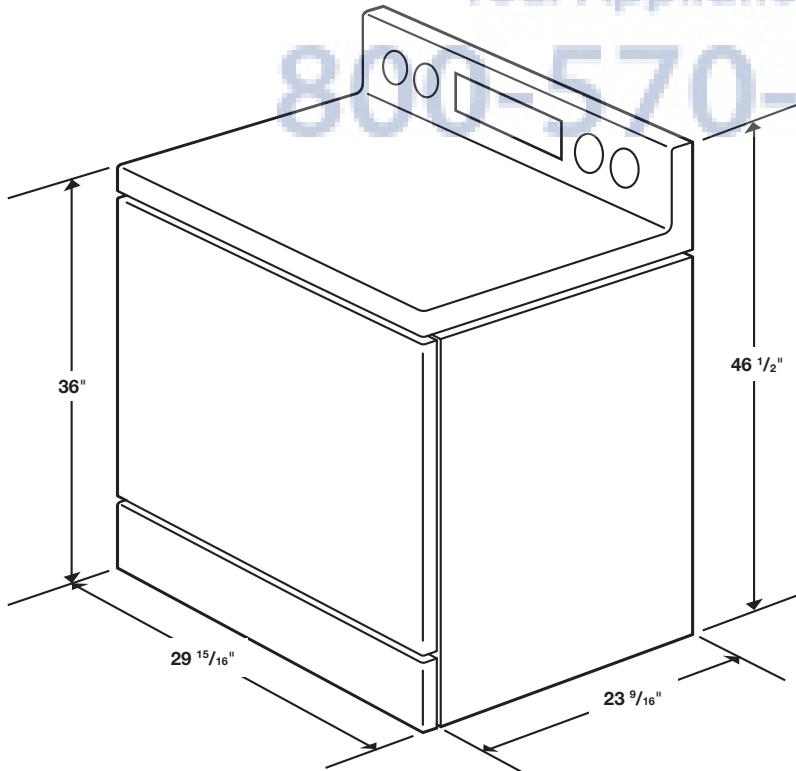
* 30" minimum clearance between the top of the cooking surface and the bottom of an unprotected wood or metal cabinet; or 24" minimum when the bottom of the wood or metal cabinet is protected by not less than 1/4" flame retardant millboard covered with not less than no.28 MSG sheet steel, 0.015" stainless steel, 0.024" aluminum or 0.020" copper.

** 18" minimum between the countertop and the adjacent cabinet bottom.



IMPORTANT: To eliminate the risk of burns or fire caused by reaching over heated surface units, cabinet storage space located above the surface units should be avoided. If cabinet storage is to be provided, the risk can be reduced by installing a range hood that projects horizontally a minimum of 5" beyond the bottom of the cabinets.

Dimensions



Power Consumption

56,000 BTU

Power Source

120 V / 60 Hz

Gas Range Cooktop

- Right Front: 17000 BTU
- Left Front: 15000 BTU
- Right Rear: 5000 BTU
- Left Rear: 9500 BTU
- Center Rear: 9500 BTU – Oval

Oven

- Bake: 150°F - 550°F
- Convection Bake: 175°F - 550°F
- Bake Burner: 18000 BTU
- Broil Burner: 13500 BTU
- Variable Broil: 375°F - 480°F
- Convection Roast: 175°F - 550°F
- Proofing
- Sabbath Mode

Storage Drawer

- Capacity – 0.7 cu. ft.

Warranty

- One (1) Year All Parts and Labor
- Five (5) Years Gas Cooktop

Product Dimensions + Weight

Actual Oven Dimensions

(WxHxD) 25" x 21 1/8" x 19"

Outside Net Dimensions:

(WxHxD) 29 15/16" x 46 1/2" x 23 9/16"

Weight 189.6 lbs / 86 kg

Shipping Dimensions + Weight

Dimensions: (WxHxD) 32 7/8" x 50 13/32" x 30 1/8"

Weight: 212.3 lbs / 96.3 kg

Color

Stainless Steel

Model

FX510BGS

UPC Code

036725560499