



UNDERCOUNTER WINE CELLARS

Viking 5 Series – FWUI

PROFESSIONAL FEATURES

- 15" W. Wine Cellar with a single controlled temperature zone
 - 2.7 cu. ft. capacity stores up to 24 wine bottles on (6) 4-bottle smooth-glide wine racks
- 24" W. Wine Cellar featuring two independently controlled temperature zones
 - 4.9 cu. ft. capacity stores 40 bottles of wine total
 - Upper zone includes (3) 8-bottle smooth-glide full wine racks and (2) 4-bottle smooth-glide half-depth wine racks
 - Lower zone includes (1) 8-bottle smooth-glide wine rack and (2) 4-bottle smooth-glide wine racks
- Vibration Neutralization System protects wine from agitation, allowing it to come to full maturation
- Dynamic cooling technology delivers precise temperature stability and frost-free operation
- Argon-filled, UV-resistant tinted dual pane glass door protects contents from damaging ultraviolet light and helps conserve energy
- Multifunction controls allow selection of precise cabinet temperature from 38°F to 65° F
- At the touch of a button, change the interior light color to sapphire blue or arctic white
- Elegant midnight black interior
- Reversible door for left or right swing
- Panel ready doors expand design options
- Accepts 3/4" or 5/8" custom panels or accessory door panel kits

MODEL NUMBER

- FWUI15152G – 15" W. Undercounter Wine Cellar, Panel Ready Frame Glass
- FWUI5242G – 24" W. Undercounter Wine Cellar, Panel Ready Frame Glass



FWUI15152G



FWUI5242G

ACCESSORIES

- PDPUG515SS – Professional Door Panel for 15" W. Wine Cellar with Glass Door, Stainless Steel
- CDPUG515SS – Classic Door Panel for 15" W. Wine Cellar with Glass Door, Stainless Steel
- PDPUG524SS – Professional Door Panel for 24" W. Wine Cellar with Glass Door, Stainless Steel
- CDPUG524SS – Classic Door Panel for 24" W. Wine Cellar with Glass Door, Stainless Steel

DESIGN OPTIONS

- Choice of two accessory door panel kits for each unit
 - Professional Door Panel features the iconic Viking handle for true design integrity
 - Classic Door Panel features a slim handle that coordinates with any kitchen design

WARRANTY

- 2-year full covers complete unit
- 6-year full – sealed refrigeration system
- 90-day full – cosmetic parts such as glass, painted items, and decorative items
- 12-year limited – sealed refrigeration system



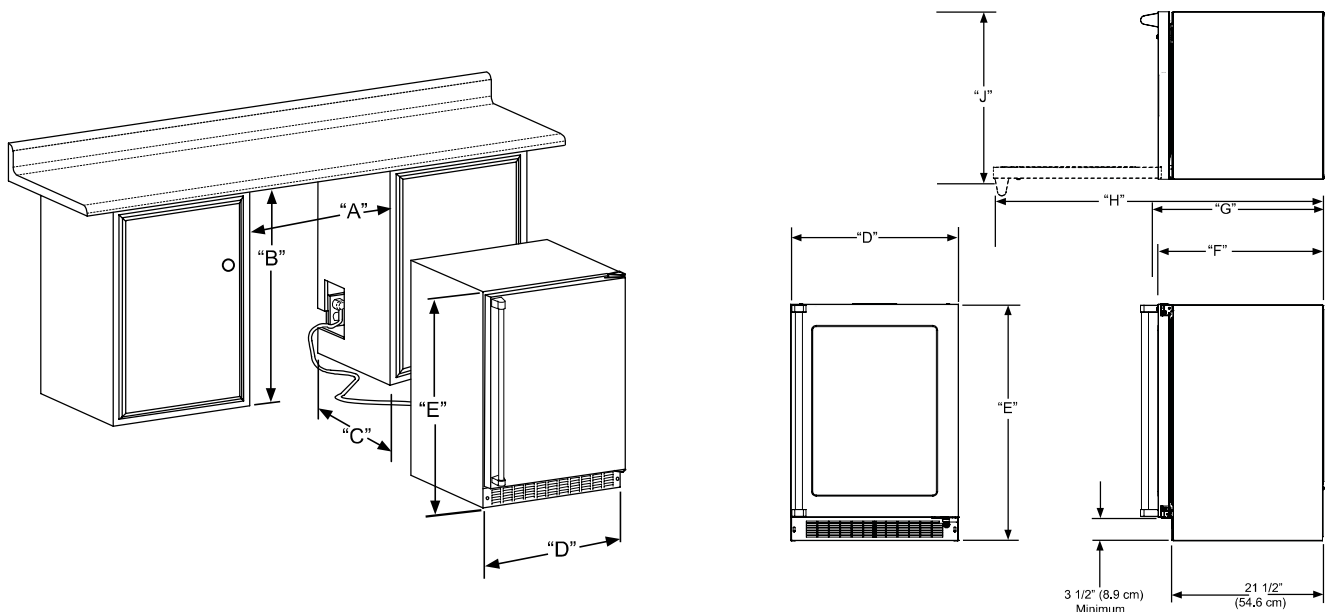
UNDERCOUNTER WINE CELLARS

Viking 5 Series – FWUI

15" AND 24" UNDERCOUNTER/FREESTANDING WINE CELLARS		
DESCRIPTION	FWUI512G	FWUI5242G
Overall Width	14-7/8" (37.8 cm)	23 7/8" (60.7 cm)
Overall Height	33-3/4" min to 34-3/4" max (85.7 cm to 88.3 cm)	33-3/4" min to 34-3/4" max (85.7 cm to 88.3 cm)
Overall Depth from Rear	To front of door: 22-7/8" (58.1 cm) To handle: 26-3/8" (67 cm) With door at 90° angle: 38-7/8" (98.7 cm)	To front of door: 23-5/8" (60.2 cm) To handle: 26-1/8" (66.4 cm) With door at 90° angle: 47-3/4" (121.3 cm)
Electrical Requirements	115V/60Hz/15A	115V/60Hz/15A
Maximum Amp Usage	3.0 amps	3.0 amps
Maximum Storage Capacity	2.7 cu.ft	5.2 cu.ft.
Cord Length	6 ft.	6 ft.
Interior Finish	Black	Black
ENERGY STAR	Yes	Yes
Refrigerant Type	R600a	R600a
Sabbath Mode	Yes	Yes
Temperature Range	33° F to 70° F	33° F to 70° F
Shipping Dimensions	19" W. x 31" D. x 37" H.	28" W. x 31" D. x 37" H.
Approximate Shipping Weight	125 lbs.	160 lbs.

Please do not prepare installation from brochure data only. See installation instructions for important clearance/installation information.

	Rough-In Opening Dimensions			Cabinet Dimensions					
	A	B	C	D	E	F	G	H	J
FWUI512G	15" (38.1 cm)	34" to 35" (86.4 cm to 88.9 cm)	24" (61 cm)	14-7/8" (37.8 cm)	33-3/4" to 34-3/4" (85.7 cm to 88.3 cm)	22-7/8" (58.1 cm)	26-3/8" (67 cm)	38-7/8" (98.7 cm)	17-1/2" (44.5 cm)
FWUI5242G	24" (61 cm)	34" to 35" (86.4 to 88.9 cm)	24" (61 cm)	23-7/8" (60.7 cm)	33-3/4" to 34-3/4" (85.7 to 88.3 cm)	23-5/8" (60.0 cm)	26-1/8" (66.4 cm)	47-3/4" (121.3 cm)	26 3/8" (67 cm)



VIKING RANGE, LLC 111 FRONT STREET GREENWOOD, MISSISSIPPI 38930 USA

For detailed product information, model numbers, or to request a quote call 1-888-845-4641 or visit vikingrange.com

© 2025 Viking Range, LLC All rights reserved. Specifications subject to change without notice.