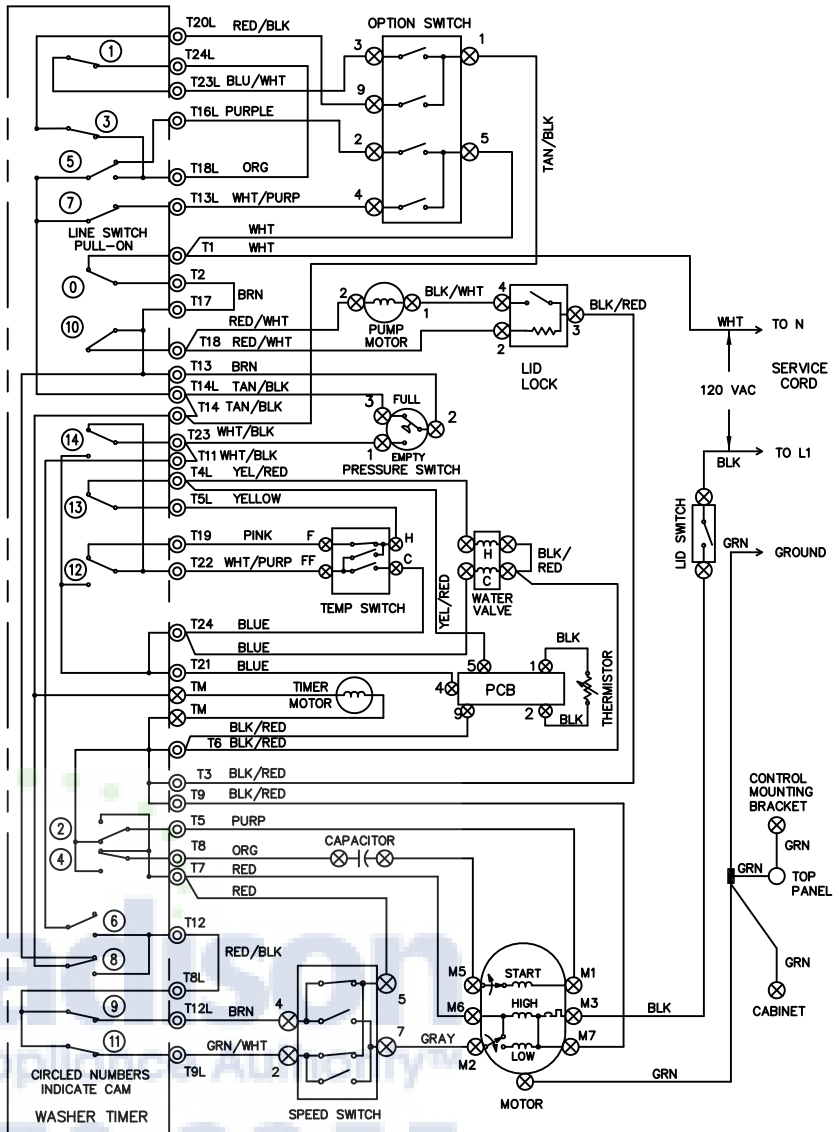
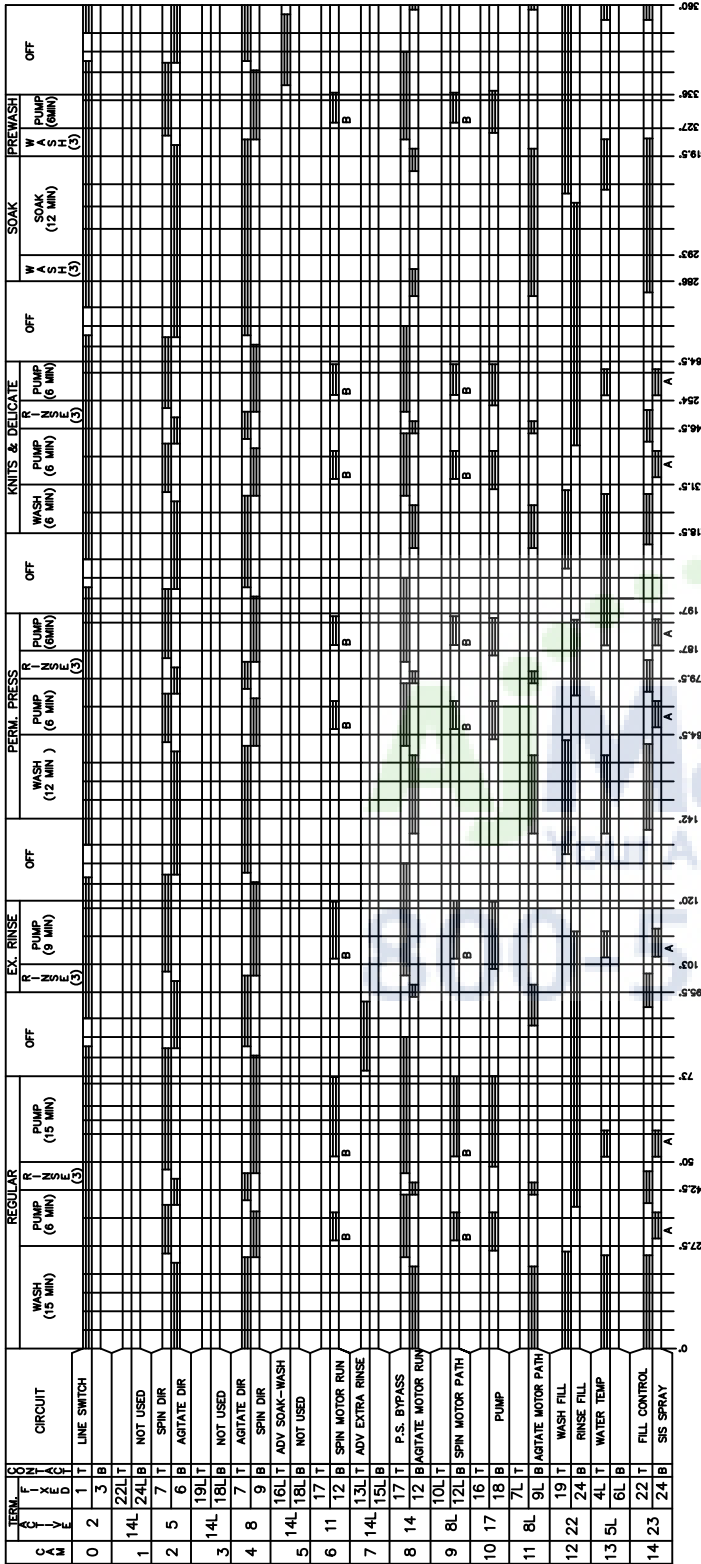


CAUTION: DISCONNECT ELECTRIC CURRENT BEFORE SERVICING



TEMPERATURE SWITCH CIRCUIT

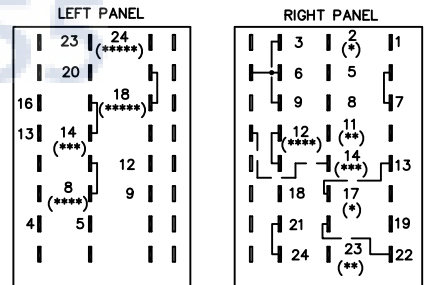
| WASH/RINSE | F-H | FF-H | FF-C |
|------------|-----|------|------|
| R H/C | X | | |
| W/C | X | | X |
| C/C | | | X |
| W/W | | X | X |

H=HOT R=REGULATED
C=COLD
W=WARM

OPTION SWITCH

| POS | OPTION | 1-9 | 1-3 | 5-4 | 5-2 |
|-----|-------------------------|-----|-----|-----|-----|
| 1 | POWER SCRUB/EXTRA RINSE | | | X | X |
| 2 | EXTRA RINSE | X | | X | |
| 3 | POWER SCRUB | | X | | X |
| 4 | OFF | X | X | | |

X=SWITCH CLOSED



TIMER PLUG-MALE (END VIEW)

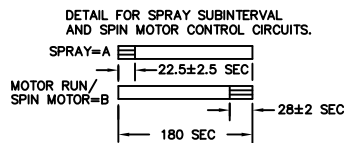
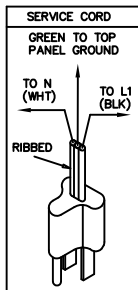
(END VIEW) WIRING CODES

- ⊙ PLUG IN TIMER TERMINAL
- ⊗ QUICK DISCONNECT TERMINAL
- SCREW TERMINAL
- CONNECTION
- + NO CONNECTION
- ⊕ MOTOR SWITCH
- ⊖ SPLICE
- ⊔ MOTOR PROTECTOR
- ⊕ CHASSIS (CABINET) GROUND

SPEED SWITCH CIRCUIT

| AGIT/SPIN | 2-5 | 2-7 | 4-7 | 4-5 |
|-----------|-----|-----|-----|-----|
| N/N | X | | | X |
| N/S | X | | X | |
| S/N (OPT) | | X | | X |
| S/S | | X | X | |

N=NORMAL S=SLOW X=CLOSED



CAUTION: DISCONNECT ELECTRIC CURRENT BEFORE SERVICING

WIRING DIAGRAM PART NO. 137171200 A