



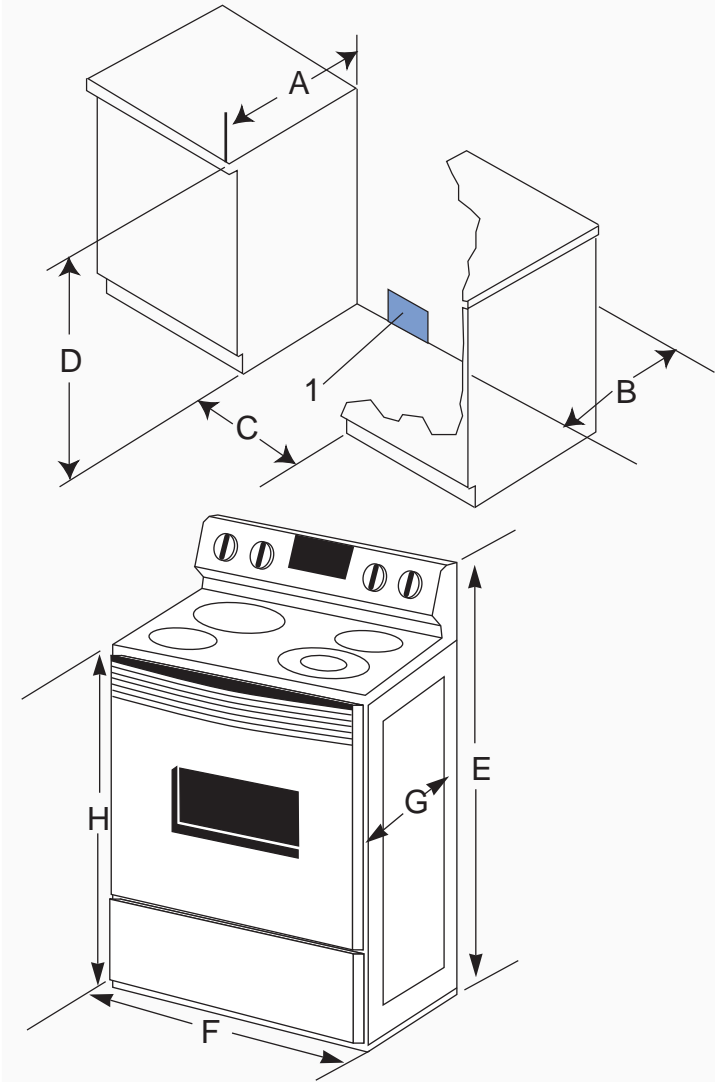
30"

FREE-STANDING RANGES

4.0 Electric Range Models

Dimensions

■	Inches	Centimeters
A	25	63.5
B	24	61.0
C ²	30	76.2
D	36	91.4
E	46 3/4	118.7
F	29 7/8	75.9
G ³	25	63.5
H ⁴	36	91.4



Notes:

1. Provide for 120/240 volt, 120/208 volt flush outlet per applicable cord in this area.
2. For Canadian models, cutout width is 31" (78.7 cm).
3. Excluding handle.
4. May vary slightly depending upon leveling leg adjustment.

Important: Because of continuing product improvements, Maytag reserves the right to change specifications without notice. Dimensional specifications are provided for planning purposes only. For complete details see installation instructions that accompany each product before selecting cabinetry, making cutouts or beginning installation.