

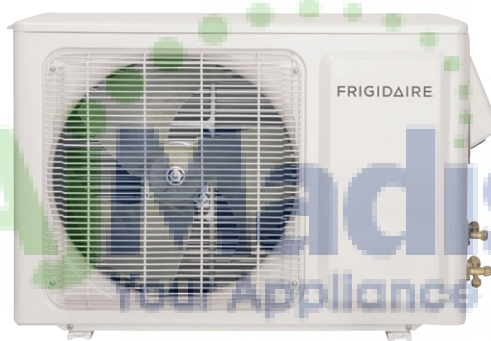
Home Comfort

FRS184YS2

Ductless Mini-Split Air Conditioner



FRS184YW2¹ Indoor



FRS184YC2¹ Outdoor

Product Dimensions Evaporator (Indoor) Model

Height	11-3/4"
Width	37"
Depth	7-7/8"

Product Dimensions Condenser (Outdoor) Model

Height	27-1/2"
Width	35-1/16"
Depth	13-3/8"

More Easy-To-Use Features

Energy and Cost Savings

A split system helps avoid the energy losses that normally come with ductwork. This loss can amount to up to 40% due to leaks, tears and long lengths.

Inverter Technology

Allows the unit to maintain room temperatures while operating at a lower and quieter speed.

Multi-Speed Fan

Features three different fan speeds, for more cooling flexibility.

Sleep Mode

Quiet operation keeps you cool without keeping you awake. Plus, Sleep Mode gradually increases room temperature after being activated.

Quickly Cools

Turbo Mode for that quick cool-down when you first turn it on.

Comfort Control Design

Easily control the direction of your cool air, wherever your unit is.

Effortless™ Restart

Automatically resumes operating at its previous settings when power is restored to your unit.

24-Hour On/Off Timer



ENERGY STAR®

Performance	BTUs
Cool	18,000

¹Photo may not represent actual model.

Signature Features

Effortless™ Temperature Control

Our air conditioners maintain the preset room temperature, so you will remain comfortable at all times.

Remote Control

Allows you to precisely control the temperature and fan speed from across the room.

Ready-Select® Controls

Easily select options with the touch of a button.

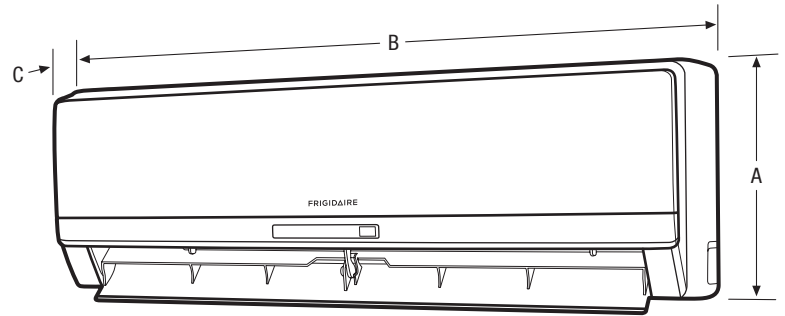
Effortless™ Clean Filter

Our antimicrobial filter cleans the air, removing harmful bacteria.

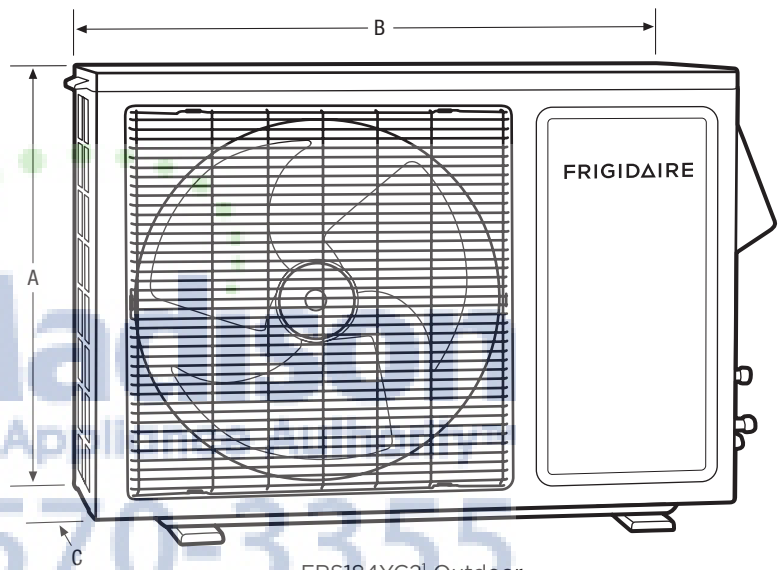
Model Numbers	
System Model Number	FRS184YS2
Indoor Unit Part Number	FRS184YW2
Outdoor Unit Part Number ¹	FRS184YC2
Performance	
BTU (Cool)	18,000
Cooling Area (Sq. Ft.)	1,100
SEER (Air Conditioner)	18
Inverter Technology	Yes
Electrical	
Volts (Cool) Indoor/Outdoor	230 / 208
Amps (Cool) Indoor/Outdoor	0.3 / 6.6
Watts (Cool) Indoor/Outdoor	23 / 1,500 (380-2,650)
Fuse (Amps) Indoor/Outdoor	3.15 / 25
Features	
Controls	Ready-Select® Controls
Fan Speeds (Cool/Fan)	3 / 3
Low Voltage Start-Up	Yes
Turbo Fan	Yes
Auto Fan	Yes
Energy Saver	Yes
Sleep Mode	Yes
24-Hour On/Off Timer	Yes
Remote Control	Full-Function
Air CFM (High/Med/Low) Indoor	270 / 224 / 190
Air Direction Control (Vert./Horz.)	Yes/Yes
Air Discharge (Full-Width)	Bottom
Filter Type	Antimicrobial Mesh
Filter Access	Slide-Out
Air Direction Control - Horizontal	Manual
Air Direction Control - Vertical	Swing
dB (Indoor) (High/Med/Low)	44 / 40 / 35
dB (Outdoor)	54
Warranty ²	Yes
Included Accessories	
Drain Kit (Outdoor Unit)	Yes
Installation Plate (Indoor Unit)	Yes
Line Set (Indoor Unit)	Yes
Remote Holder (Indoor Unit)	Yes
Certifications	
ENERGY STAR®	Yes
Performance	ARI
Specifications	
Refrigerant	R410a
Shipping Weight (Approx.) Indoor	37 Lbs.
Shipping Weight (Approx.) Outdoor	121 Lbs.

¹Includes 16.4 ft. line set.

²Warranty 5 year sealed system/1 year full parts and labor.



FRS184YW2¹ Indoor



FRS184YC2¹ Outdoor

NOTE: For planning purposes only. Always consult local and national electric codes. Refer to Product Installation Guide for detailed installation instructions on the web at frigidaire.com.



Product Dimensions	
Indoor -	
A - Height	11-3/4"
B - Width	37"
C - Depth	7-7/8"
Max. Wall Thickness	18"
Outdoor -	
A - Height	27-1/2"
B - Width	35-1/16"
C - Depth	13-3/8"

¹Illustration may not represent actual model.

All refrigeration and electrical work must be performed by a certified and licensed refrigeration technician for full parts and labor warranty validation. Insulated line sets and control wires are required and available for Frigidaire split systems in 16.4 ft. length. Each line set is equipped with flare nuts on both ends. Each system requires one line set for each indoor unit installed.

Accessories information available on the web at frigidaire.com

Ductless Mini-Split System Air Conditioners Servicer Technical Data Sheet

FRIGIDAIRE®

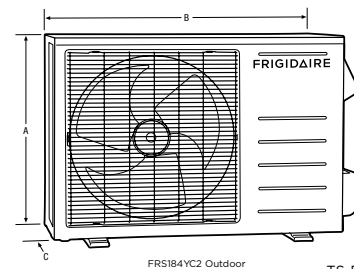
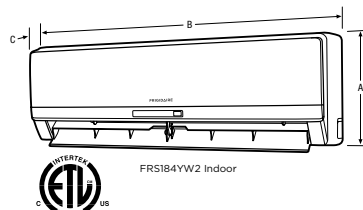
FRS184YS2

POWER	
Circuit Amps	13.8/12.5 A
Maximum Fuse Size	25 A
CAPACITIES	
Cooling	18000 Btu
Amps	7.59/6.86 A (Rated Current under cooling mode)
Watts	1500 W
Min/Max Cooling	6000/22350 Btu
SEER	18
EER	12
Low Ambient Temperature	5° F ≤ T ≤ 115° F
Voltage/Frequency/Phase	208V/230V /60Hz/1P
Dehumidification	4.22PT/H
INDOOR UNIT	
Sound Rating	46/44/40/35dB (A)
Net Weight	28.66 lb
Shipping Weight	37.47 lb
Dimensions (H x W x D)	11.73" x 37.01" x 7.87"
Full Loaded Amps	0.27 A
Number of Fan Speeds	4
Fan Type	cross flow
RPM at High Speed)	1350 RPM
Motor Watts	20 A
Full Loaded Amps	0.25 A
Coil Type	aluminum fin & copper tube
Fin Type	window
Pipe Type	inner-wing
Fin Rows (FPI)	2
Tube Diameter	ϕ 7.15 mm (9/32")
Drain Connection Size	ϕ 16 mm (5/8")
FEATURES	
Controls	microprocessor
Remote Control	lcd wireless
Temperature Control	16-30° C
Timer	24 hr
Air Louvers	2 pieces
Horizontal	manual
Vertical	swing
Low Voltage Restart	built-in
Self-Diagnosis	yes
Quiet Operation	no
Air Filter	washable, anti-mold
COMPRESSOR	
	C-6RZ146H1A
Controls	twin rotary DC inverter
Remote Control	8.4 A
Temperature Control	41 A

REFRIGERANT SYSTEM	
Refrigerant	R410A
Ounces	51.15
Control	electric expansion valve
Lineset	16.4 ft
Maximum Height	49.2 ft
Maximum Line length	98.43 ft
Discharge Vapor Line (od)	ϕ 6 mm (1/4")
Suction (od)	ϕ 12 mm (1/2")
OUTDOOR UNIT	
Sound rating	≤ 54 dB (A)
Net Weight	110.23 lb
Shipping Weight	121.25 lb
Dimensions (H x W x D)	27.56" x 35.04" x 13.38"
Recommended Fuse	25 A
Minimum Amps	14 A
Running Current	13.8/12.5 A
Fan Type	Axial
Fan Diameter/Number of Speeds	20.47"-2
Drive Type	dc motor
Motor Watts	60 W
Number of Poles and RPM	2-690/500 rpm
CFM (High)	1904
Coil Type	aluminum fin & copper tube
Fin Type	flat
Pipe Type	innergroove copper
Fin Rows (FPI)	2
Tube Size	ϕ 7.15 mm (9/32")
OPERATING RANGE	
Indoor Air	
	intake temp
Cooling	90° F db/wb
	41° F db/wb
Heating	81° F db/wb
	32° F db/wb
Outdoor Air	
	intake temp
Cooling	115° F db/wb
	41° F db/wb
Heating	75° F db/wb
	5° F db/wb

PRODUCT DIMENSIONS

Indoor -	
A - Height	11-3/4"
B - Width	37"
C - Depth	7-7/8"
Max. Wall Thickness	18"
Outdoor -	
A - Height	27-1/2"
B - Width	35-1/16"
C - Depth	13-3/8"



Ductless Mini-Split System Air Conditioners Submittal Sheet

FRIGIDAIRE®

FRS184YS2

Job: _____ Reference: _____ Construction: _____
 Location: _____ Approval: _____ Unit Number: _____
 Engineer: _____ Date: _____ Drawing Number: _____
 Submitted to: _____ Submitted by: _____

POWER	
Circuit Amps	13.8/12.5 A
Maximum Fuse Size	25 A
CAPACITIES	
Cooling	18000 Btu
Amps	7.59/6.86 A (Rated Current under cooling mode)
Watts	1500 W
Min/Max Cooling	6000/22350 Btu
SEER	18
EER	12
Low Ambient Temperature	5° F ≤ T ≤ 115° F
Voltage/Frequency/Phase	208V/230V /60Hz/1P
Dehumidification	4.22PT/H
INDOOR UNIT	
Sound Rating	46/44/40/35dB (A)
Net Weight	28.66 lb
Shipping Weight	37.47 lb
Dimensions (H x W x D)	11.73" x 37.01" x 7.87"
Full Loaded Amps	0.27 A
Number of Fan Speeds	4
Fan Type	cross flow
Motor Watts	20 A
Full Loaded Amps	0.25 A
COMPRESSOR	
Type	twin rotary DC inverter
Amps	8.4 A
Locked Rotor Amps	41 A

OUTDOOR UNIT	
Sound Rating	≤ 54 dB (A)
Net Weight	110.23 lb
Shipping Weight	121.25 lb
Dimensions (H x W x D)	27.56" x 35.04" x 13.38"
Recommended Fuse	25 A
Minimum Amps	14 A
Running Current	13.8/12.5 A
Drive Type	dc motor
Motor Watts	60 W
CFM (high)	1904
FEATURES	
Controls	microprocessor
Remote Control	lcd wireless
Temperature control	16-30° C
Timer	24 hr
Air Louvers	2 pieces
Horizontal	manual
Vertical	swing
Low Voltage Restart	built-in
Self-Diagnosis	yes
Quiet Operation	no
Air Filter	washable, anti-mold
REFRIGERANT SYSTEM	
Refrigerant	R410A
Ounces	51.15
Lineset	16.4 ft
Maximum Height	49.2 ft
Maximum Line length	98.43 ft
Discharge Vapor Line (od)	Φ 6 mm (1/4")
Suction (od)	Φ 12 mm (1/2")

PRODUCT DIMENSIONS	
Indoor -	
A - Height	11-3/4"
B - Width	37"
C - Depth	7-7/8"
Max. Wall Thickness	18"
Outdoor -	
A - Height	27-1/2"
B - Width	35-1/16"
C - Depth	13-3/8"

