

# 30" Gas Freestanding Range 700 Series - Stainless Steel HGS7282UC



## Features and Benefits

### Key Features

- Genuine European Convection™ with Advanced Circulation System (ACS)
- Metal Colored Knobs
- PowerSim® – Quick Heating with Large Flame or Gentle Simmering with a Diffuser Cap
- OptiSim® – Simmer Delicate Sauces without Scorching
- Integrated Warming Drawer

### Design

- ClearTouch™ Electronic Oven Controls
- Stainless steel cooktop control panel
- Stainless steel cooktop
- Low Profile Grates
- Metal Colored Knobs

### Performance

- Genuine European Convection™ with Advanced Circulation System (ACS)
- PowerSim® – Quick Heating with Large Flame or Gentle Simmering with a Diffuser Cap
- OptiSim® – Simmer Delicate Sauces without Scorching
- 16000 BTU, 12500 BTU, 9100 BTU, 5500 BTU burners
- Convection Assisted Self Cleaning Oven

### Convenience

- Full Extension Rack
- Touch & Turn® Electronic Oven Control with 8 Cooking Modes
- Temperature probe with automatic switch-off

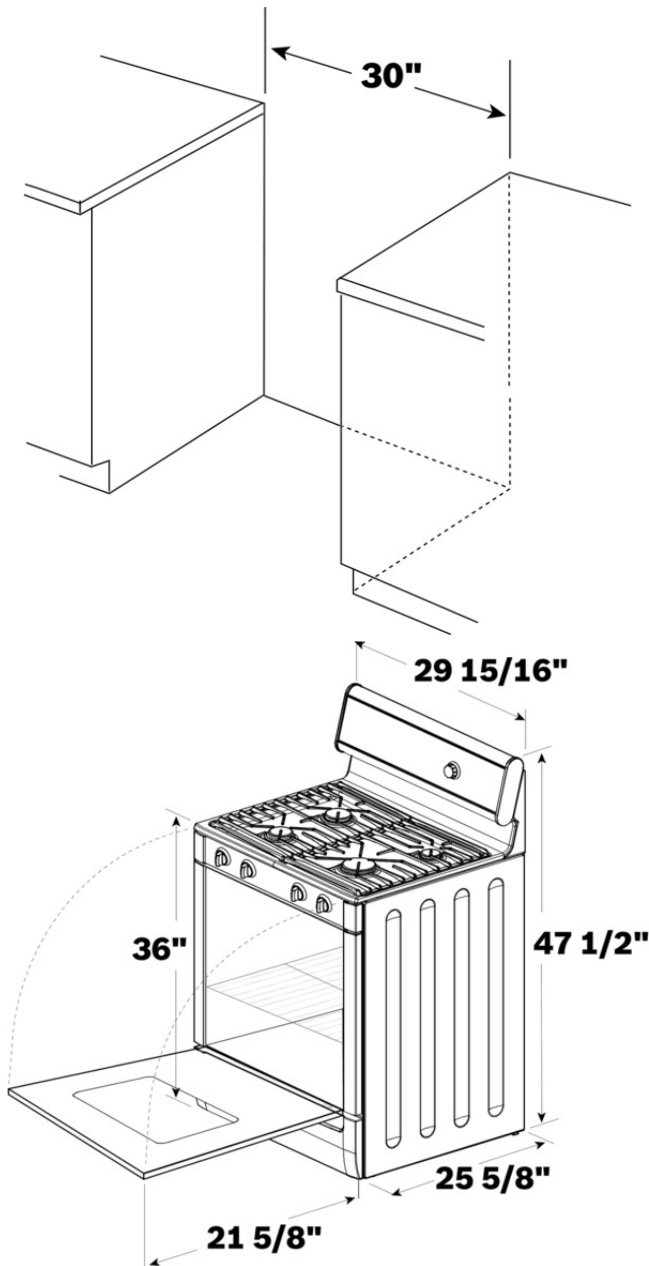
Notes: All height, width and depth dimensions are shown in inches. \*Please refer to installation instructions prior to making cutout. BSH reserves the absolute and unrestricted right to change product materials and specifications, at any time, without notice. Consult the product's installation instructions for final dimensional data and other details. Applicable product warranty can be found in a accompanying product literature or you may contact your account manager for further details.

For more information on our entire line of products, go to [boschappliances.com](http://boschappliances.com) or call 1-800-944-2904.

Copyright ©2013 BSH Home Appliances Corporation. All rights reserved. Bosch is a registered trademark of Robert Bosch GmbH.

Litho Date: 04/2013

# 30" Gas Freestanding Range 700 Series - Stainless Steel HGS7282UC



## Features

Total number of cooktop burners	4
Cooking method first cavity	Bake, Broil, Convection Bake, Convection Roast, Dehydrate, Proof, Sabbath function, Self-Clean, Warm, Warming drawer
Cleaning system - cavity 1	, Self Clean
Oven Control	electronical
Knob Material	Plastic with steel cap
Included accessories	3 x Oven racks /upper, 1 x Temperature probe /upper
Sealed Burners	Yes
Number of Double grates	2
Bake Element Wattages cavity 1 (W)	4980
Broil Element Wattages cavity 1 (W)	3670
Convection Element Wattages cavity 1 (W)	400
Number of gas burners	4
Location of 1st heating element	front left
Power of 1st burner (BTU)	9100
Location of 2nd heating element	back left
Power of 2nd burner (BTU)	12500
Location of 3rd heating element	
Power of 3rd burner (BTU)	
Location of 4th heating element	back right
Power of 4th burner (BTU)	5500
Location of 5th heating element	front right
Power of 5th burner (BTU)	16000
Location of 6th heating element	
Power of 6th burner (BTU)	
Power of griddle element	
Display	green, red
Safety device	Thermostat

## Technical Specification

UPC code	825225843955
Product color	Stainless steel
Gas type	Natural gas 15 mbar (USA)
Alternative gas type	Liquid gas 27,5 mbar (USA)
Total BTU load	72600
Watts (W)	1200
Current (A)	10

Notes: All height, width and depth dimensions are shown in inches. \*Please refer to installation instructions prior to making cutout. BSH reserves the absolute and unrestricted right to change product materials and specifications, at any time, without notice. Consult the product's installation instructions for final dimensional data and other details. Applicable product warranty can be found in a accompanying product literature or you may contact your account manager for further details.

For more information on our entire line of products, go to [boschappliances.com](http://boschappliances.com) or call 1-800-944-2904.

Copyright ©2013 BSH Home Appliances Corporation. All rights reserved. Bosch is a registered trademark of Robert Bosch GmbH.

Litho Date: 04/2013