



## 30" Single and Double Built-in Oven Four encastré de 30" simple ou double

Model / Modèle: FBOEL1358-30 / FBOEL1365-30



Installation Instructions  
Instructions d'installation

**IMPORTANT:** Save for local electrical inspector's use.

**IMPORTANT :** Conserver pour consultation par l'inspecteur local des installations électriques.

## TABLE OF CONTENTS

<b>OVEN SAFETY .....</b>	<b>1</b>
<b>INSTALLATION REQUIREMENTS .....</b>	<b>2</b>
Tools and Parts.....	2
Location Requirements.....	3
Opening Dimensions.....	5
Electrical Requirements .....	6
<b>INSTALLATION INSTRUCTIONS .....</b>	<b>8</b>
Step 1 - Unpack the Oven .....	8
Step 2 - Remove the Oven Door.....	9
Step 3 - Install Oven .....	10
Step 4 - Make Electrical Connection .....	11
Step 5 - Mount the Oven .....	14
Step 6 - Replace the Door .....	14
Step 7 - Complete Installation.....	15

## OVEN SAFETY

### Your safety and the safety of others are very important.

We have provided many important safety messages in this manual and on your appliance. Always read and obey all safety messages.



This is the safety alert symbol.

This symbol alerts you to potential hazards that can kill or hurt you and others. All safety messages will follow the safety alert symbol and either the word "DANGER," "WARNING" or "CAUTION."

These words mean:

**⚠ DANGER**

An imminently hazardous situation. You could be killed or seriously injured if you don't immediately follow instructions.

**⚠ WARNING**

A potentially hazardous situation which, if not avoided, could result in death or serious bodily injury.

**⚠ CAUTION**

A potentially hazardous situation which, if not avoided, may result in moderate or minor injury.

All safety messages will tell you what the potential hazard is, tell you how to reduce the chance of injury, and tell you what can happen if the instructions are not followed.

State of California Proposition 65 Warnings:

**WARNING:** This product contains one or more chemicals known to the State of California to cause cancer.

**WARNING:** This product contains one or more chemicals known to the State of California to cause birth defects or other reproductive harm.

## INSTALLATION REQUIREMENTS

### TOOLS AND PARTS

Gather the required tools before starting installation. Read and follow the instructions provided with any tools listed here.

#### ALL INSTALLATIONS

##### Tools Needed:

- Measuring Tape
- Straightedge
- Pencil
- Phillips Screwdriver
- Level
- Wire Cutters and Wire Stripper
- Hand or Sabre Saw
- 1" Hole Saw
- Cordless Drill and Drill Bit
- Safety Gloves and Goggles
- Volt Meter (0-250VAC)

##### Parts Needed:

- UL Listed Conduit Connector
- UL Listed Wire Connectors

##### Parts Provided:

- #8-14 x 1" Screws - Single Ovens (2),  
Double Ovens (4)

TECHNICAL DATA						
OVEN	DIMENSION	MODEL	Electrical Ratings and Maximum Connected Load			
			@ 240 Volts 60 Hz		@ 208 Volts 60 Hz	
Single Built-in Oven	30" (76 cm)	HCW3260AES	Amperes	Watts	Amperes	Watts
						20
Double Built-in Oven	30" (76 cm)	HCW3285AES	35.4	8500	30.7	6381

## LOCATION REQUIREMENTS

**IMPORTANT:** Observe all governing codes and ordinances.

- Cabinet opening dimensions that are shown must be used. Given dimensions provide minimum clearance with oven.
- Recessed installation area must provide complete enclosure around the recessed portion of the oven.
- The oven support surface must be solid, level and flush with the bottom of the cabinet cutout.

**The oven support surface must be able to support the weight of:**

Single Oven: 130 lbs (59 kg) plus 30 lb (14 kg) food load

Double Oven: 230 lbs (105 kg) plus 60 lb (28 kg) food load

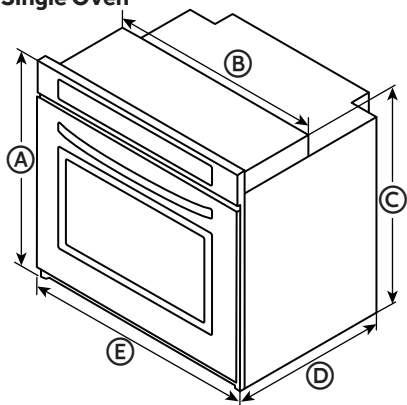
- Grounded electrical supply is required. See "Electrical Requirements" section.

**NOTE:** For undercounter installation, it is recommended that the junction box be located in the adjacent right or left cabinet.

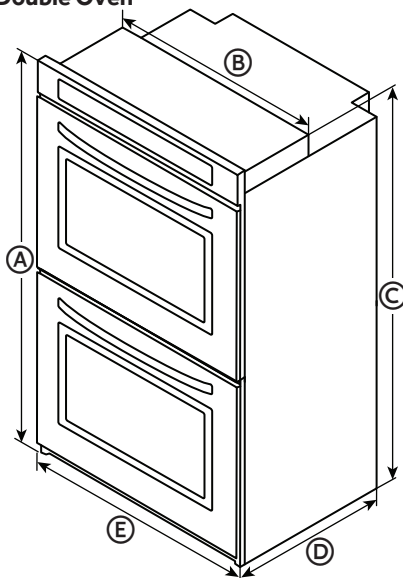
**IMPORTANT:** To avoid damage to your cabinets, check with your builder or cabinet supplier to make sure that the materials used will not discolor, delaminate or sustain other damage. This oven has been designed in accordance with the requirements of UL and CSA International and complies with the maximum allowable wood cabinet temperatures of 194°F (90°C).

## PRODUCT DIMENSIONS

### Single Oven



### Double Oven

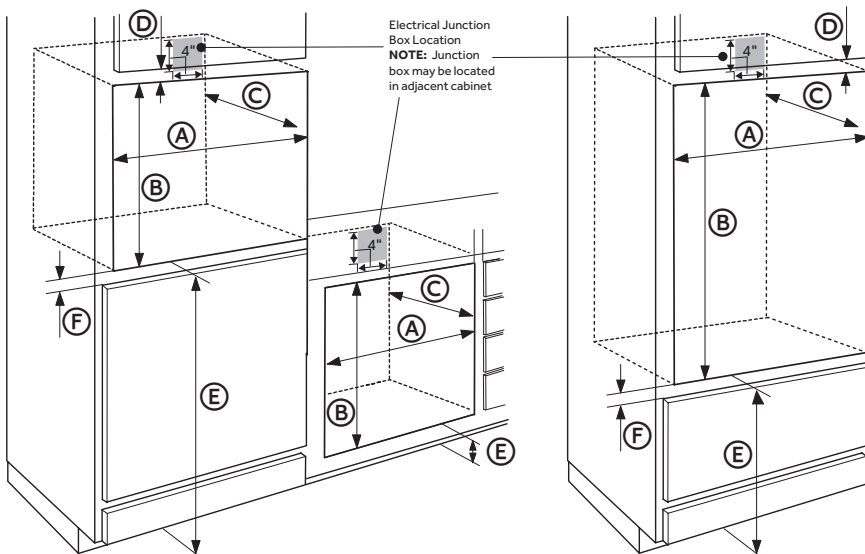


Letter	Single Oven Dimensions	Double Oven Dimensions
(A)	28 $\frac{7}{16}$ " (72.2 cm) Height (overall)	51 $\frac{3}{16}$ " (130.0 cm) Height (overall)
(B)	28 $\frac{1}{2}$ " (72.4 cm) Width (recessed)	28 $\frac{1}{2}$ " (72.4 cm) Width (recessed)
(C)	27 $\frac{3}{16}$ " (69 cm) Height (recessed)	49 $\frac{15}{16}$ " (126.8 cm) Height (recessed)
(D)	23 $\frac{1}{2}$ " (59.7 cm) Depth (recessed)	23 $\frac{1}{2}$ " (59.7 cm) Depth (recessed)
(E)	29 $\frac{7}{8}$ " (75.9 cm) Width (overall)	29 $\frac{7}{8}$ " (75.9 cm) Width (overall)

# OPENING DIMENSIONS

## Single Oven - Installed in Cabinet and Installed Undercounter

## Double Oven - Installed in Cabinet



		Single Oven Undercounter w/o Cooktop	Single Oven in Cabinet	Double Oven in Cabinet
(A)	<b>Width (cutout)</b>	28 <sup>5</sup> / <sub>8</sub> " (72.7 cm)	28 <sup>5</sup> / <sub>8</sub> " (72.7 cm)	28 <sup>5</sup> / <sub>8</sub> " (72.7 cm)
(B)	<b>Height (cutout)</b>	27 <sup>1</sup> / <sub>2</sub> " (70 cm)	27 <sup>1</sup> / <sub>2</sub> " (70 cm)	50 <sup>1</sup> / <sub>4</sub> " (127.6 cm)
(C)	<b>Depth (cutout)</b>	24" (61.0 cm)	24" (61.0 cm)	24" (61.0 cm)
(D)	<b>Top of Cutout to Bottom of Upper Cabinet Door</b>	N/A	1 <sup>1</sup> / <sub>2</sub> " (3.8 cm)	1 <sup>1</sup> / <sub>2</sub> " (3.8 cm)
(E)	<b>Bottom of Cutout to Floor (recommended)*</b>	5 <sup>1</sup> / <sub>4</sub> " (13.3 cm)	32" (81.3 cm)	14 <sup>3</sup> / <sub>4</sub> " (37.5 cm)*
(F)	<b>Bottom of Cutout to Top of Cabinet Door</b>	N/A	1 <sup>1</sup> / <sub>2</sub> " (3.8 cm)	1 <sup>1</sup> / <sub>2</sub> " (3.8 cm)
(G)	<b>Overlap of oven with sides of cutout</b>	1 <sup>1</sup> / <sub>16</sub> " (1.7 cm)	1 <sup>1</sup> / <sub>16</sub> " (1.7 cm)	1 <sup>1</sup> / <sub>16</sub> " (1.7 cm)

\* Bottom of Cutout to Floor (acceptable) 4" to 14<sup>3</sup>/<sub>4</sub>" (10.2 cm to 37.5 cm)

## ELECTRICAL REQUIREMENTS

If codes permit and a separate ground wire is used, it is recommended that a qualified electrical installer determine that the ground path is adequate and wire gauge is in accordance with local codes.

Do not use an extension cord.

### **In U.S.A. :**

Be sure that the electrical connection and wire size are adequate and in conformance with the National Electrical Code, ANSI/ NFPA No. 70-latest edition and all local codes and ordinances.

A copy of the above code standards can be obtained from:

National Fire Protection Association  
One Batterymarch Park  
Quincy, MA 02269

### **In Canada:**

Be sure that the electrical connection and wire size are adequate and in conformance with CSA standard C22.1, Canadian Electrical Code, Part 1 - latest edition, and all local codes and ordinances.

A copy of the above code standards can be obtained from:

Canadian Standards Association  
178 Rexdale Blvd.  
Toronto, ON M9W 1R3 CANADA.

# ⚠ WARNING



## Electrical Shock Hazard

The electrical power to the oven branch circuit must be shut off while line connections are being made.

Do not use an extension cord with this appliance.

Electrical ground is required on this appliance. The free end of the green wire (the ground wire) must be connected to a suitable ground. This wire must remain grounded to the oven.

If cold water pipe is interrupted by plastic, non metallic gaskets, union connections or other insulating materials, DO NOT use for grounding.

DO NOT ground to a gas pipe.

DO NOT have a fuse in the NEUTRAL or GROUNDING circuit. A fuse in the NEUTRAL or GROUNDING circuit could result in an electrical shock.

Check with a qualified electrician if you are in doubt as to whether the appliance is properly grounded.

Failure to do so could result in death, fire or electric shock.

## Electrical Connection

To properly install your oven, you must determine the type of electrical connection you will be using and follow the instructions provided for it here.

- Oven must be connected to the proper electrical voltage and frequency as specified on the model/serial number rating plate. The model/serial number rating plate is located under the control panel on single ovens and under the control panel on the upper oven cavity on double ovens. All models are dual rated, and designed to be connected to either 120/208V or 120/240V AC, 60Hz, 3-wire or 4-wire, single-phase power supply.

Style	Voltage and Frequency	Amps	Circuit Required
Single Oven	240V, 60 Hz	20.0A	25 Amp Circuit
	208V, 60 Hz	17.4A	20 Amp Circuit
Double Oven	240V, 60 Hz	35.4A	40 Amp Circuit
	208V, 60 Hz	30.7A	35 Amp Circuit

- Install a suitable conduit box (not furnished). An appropriately sized, UL conduit connector must be used to correctly attach the conduit to the junction box.

**IMPORTANT:** Local Codes may vary; installation electrical connections and grounding must comply with all applicable local codes.

If local codes permit grounding through the electrical supply neutral, connect both the white neutral wire and the green ground wire from the oven to the white neutral electrical supply wire.

- Check with a qualified electrical installer if you are not sure the oven is properly grounded.
- **Single Oven** - When a 4-wire, single phase 120/240 volt, 60 Hz., AC only electrical supply is available, a 25-amp maximum circuit protection is required (or, if specified on the model/serial rating plate, when a 4-wire, single phase 120/208 volt 60 Hz., AC only electrical supply is available, a 20-amp maximum circuit protection is required).
- **Double Oven** - When a 4-wire, single phase 120/240 volt, 60 Hz., AC only electrical supply is available, a 40-amp maximum circuit protection is required (or, if specified on the model/serial rating plate, when a 4-wire, single phase 120/208 volt 60 Hz., AC only electrical supply is available, a 35-amp maximum circuit protection is required).

## INSTALLATION INSTRUCTIONS

**IMPORTANT:** This appliance shall be installed only by authorized persons and in accordance with the manufacturer's installation instructions, local gas fitting regulations, municipal building codes, electrical wiring regulations, local water supply regulations.

### STEP 1 - UNPACK THE OVEN

## WARNING

### Excessive Weight Hazard

Use two or more people to move and install oven.

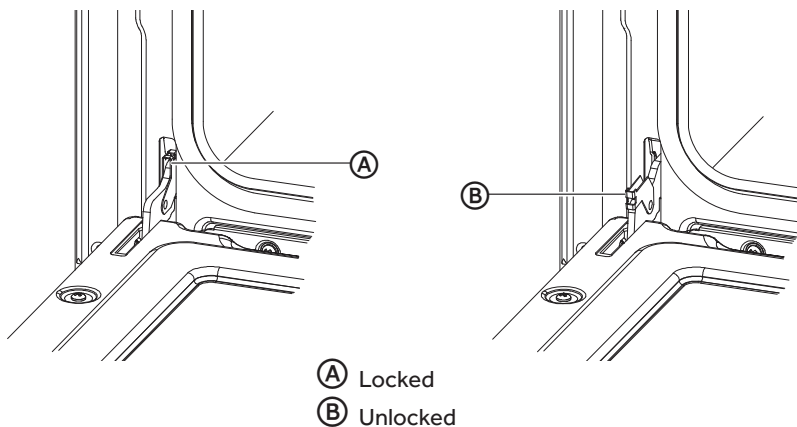
Failure to do so can result in back or other injury.

1. Using two or more people, remove the oven and set it on cardboard to avoid floor damage.  
**NOTE:** Do not use the handle or any portion of the front frame for lifting.
2. Remove the shipping materials and tape from the oven.
3. Remove the hardware package from inside the bag containing literature.
4. Remove and set aside racks and other parts from inside the oven.
5. Move the oven on the cardboard near where it will be installed.

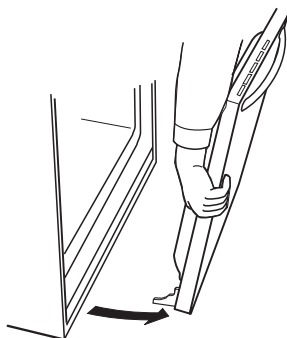
## STEP 2 - REMOVE THE OVEN DOOR

**IMPORTANT:** The oven door is heavy and fragile, and the door front is glass. To avoid oven door glass breakage, use both hands, and grasp only the sides of the oven door to remove.

1. Open the oven door.
2. Locate the door latches in both corners of the oven door, and rotate the latches forward to the unlocked position.



3. Grasp the edges of the oven door with both hands and push the oven door fully closed. Lift up and pull oven door toward you to remove. Set the oven door(s) aside on a covered work surface.



## STEP 3 - INSTALL OVEN

### **⚠ WARNING**

#### **Excessive Weight Hazard**

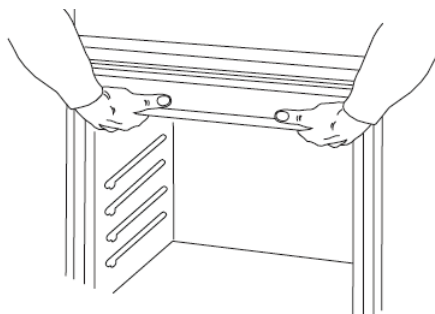
Use two or more people to move and install oven.

Failure to do so can result in back or other injury.

1. Using two or more people, grasp the ceiling of the oven cavity and lift the oven onto a table or platform even with the cutout opening.

**NOTE:** The surface must be able to support the following weight:

- Single Oven : 160 lb (73 kg)
- Double Oven: 290 lb (132 kg)



2. Feed the flexible electrical supply conduit from the oven to the junction box.

## STEP 4 - MAKE ELECTRICAL CONNECTION

To properly install your oven, you must determine the type of electrical connection you will be using and follow the instructions provided for it here.

### DIRECT WIRE

## ⚠ WARNING



### Electrical Shock Hazard

Disconnect power before servicing.

Improper connection of aluminum house wiring and copper appliance leads can result in an electrical hazard or fire. If the home has aluminum wiring, only use connectors designed and UL listed for joining copper to aluminum and precisely follow the manufacturer's recommended procedure. Aluminum-to-Copper connections must conform with local codes.

For Single Oven, use 10 gauge copper or aluminum wire.

For Double Oven, use 8 gauge copper or aluminum wire.

Electrically ground oven.

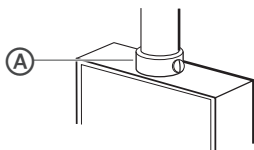
Failure to do so can result in death, fire or electrical shock.

**Be sure your appliance is properly installed and grounded by a qualified technician. Ask your dealer to recommend a qualified technician or an authorized repair service.**

This oven is manufactured with a neutral (white) power supply wire and a cabinet-connected green (or bare) ground wire twisted together.

After making sure that the power has been turned off, connect the flexible conduit from the oven to the junction box using a UL listed conduit connector. The Grounded Neutral and Ungrounded Neutral Graphics on the following pages and the instructions provided, present the most common way of connecting ovens. Your local codes and ordinances, of course, take precedence over these instructions. Complete electrical connections according to local codes and ordinances.

1. Disconnect power.
2. Remove junction box cover.
3. Install a UL listed or CSA approved conduit connector to the junction box.



Ⓐ UL or CSA Listed Conduit Connector

- Route the flexible electrical supply conduit from the oven to the junction box through a UL listed or CSA approved conduit connector.
- Tighten screws on conduit connector.

### 3-WIRE CONNECTION (GROUNDED NEUTRAL) - U.S.A. ONLY

## ⚠ WARNING



### Electrical Shock Hazard

Grounding through the neutral conductor is prohibited for new branch-circuit installations (1996 NEC); mobile homes; and recreational vehicles, or in an area where local codes prohibit grounding through the neutral conductor. For installations where grounding through the neutral conductor is prohibited, see the Ungrounded Neutral graphic.

Use grounding terminal or lead to ground unit.

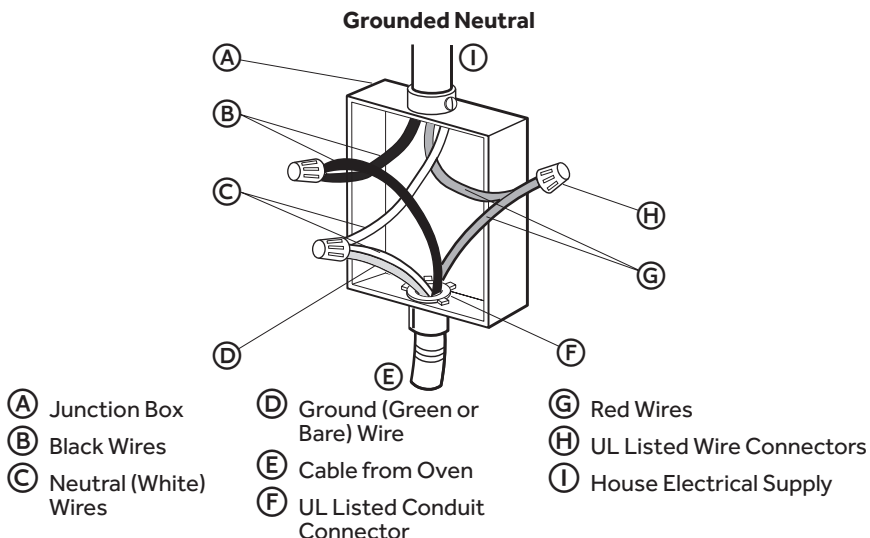
Connect neutral terminal or lead to branch circuit neutral in usual manner.

Failure to do so could result in death, fire or electric shock.

### 3-Wire Cable from Home Power Supply

**IMPORTANT:** Use the 3-wire cable from home power supply where local codes permit a 3-wire connection.

- Disconnect power.



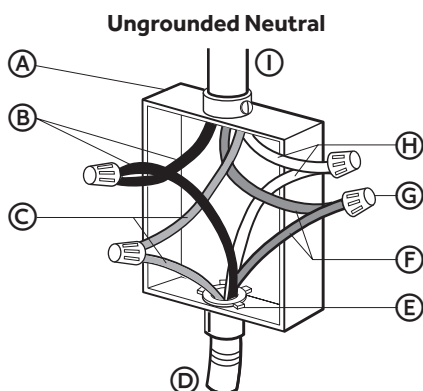
2. Connect the two black wires **(B)** together using a UL listed wire connector.
3. Connect the two neutral (white) wires **(C)** and the ground (green or bare) wire **(D)** (of the oven cable) using a UL listed wire connector.
4. Connect the two red wires **(G)** together using a UL listed wire connector.
5. Install junction box cover.

## 4-WIRE CONNECTION (UNGROUNDING NEUTRAL) - U.S.A. AND CANADA

### 4-Wire Cable from Home Power Supply

**IMPORTANT:** Use the 4-wire cable from home power supply in the U.S. where local codes do not allow grounding through neutral, New Branch circuit installations (1996 NEC), mobile homes and recreational vehicles, new construction and in Canada.

1. Disconnect power.



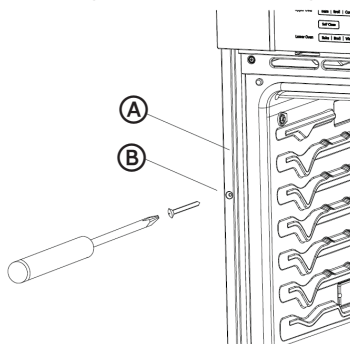
- |                            |  |                                     |
|----------------------------|--|-------------------------------------|
| <b>(A)</b> Junction Box    | <b>(E)</b> UL listed or CSA Approved Conduit Connector | <b>(G)</b> UL Listed Wire Connector |
| <b>(B)</b> Black Wires     | <b>(F)</b> Ground (Green or Bare) Wires                | <b>(H)</b> Neutral (White) Wires    |
| <b>(C)</b> Red Wires       |  | <b>(I)</b> House Electrical Supply  |
| <b>(D)</b> Cable from Oven |  |                                     |

2. Connect the 2 black wires **(B)** together using a UL listed wire connector.
3. Connect the 2 red wires **(C)** together using a UL listed wire connector.
4. Untwist white wire from green (or bare) ground wire coming from the oven.
5. Connect the 2 neutral (white) wires **(H)** together using a UL listed wire connector.
6. Connect the ground (green or bare) wire **(F)** from the oven cable to the ground (green or bare) wire (in the junction box) using a UL listed wire connector.
7. Install junction box cover.

## STEP 5 - MOUNT THE OVEN

1. Slide the oven completely into the cabinet until the back surface of the front frame touches the front wall of the cabinet. Center the oven within the cabinet cutout.

**NOTE:** Push against seal area of the oven front frame when pushing the oven into the cabinet. Do not push against the outside edges.



- (A) Mounting Frame
- (B) Mounting Frame Hole

2. There are two holes, one on each side of the front frame that surrounds the oven cavity. Drill  $\frac{1}{8}$ " (3.18 mm) pilot holes through the holes, and into the front wall of the cabinet.

**NOTE:** The double oven has four mounting holes, two on each side.

3. Insert the # 8-14 x 1" screws (provided) through the pilot holes to securely fasten the oven to the cabinet. Do not overtighten screws.
4. Replace the oven racks.
5. Reconnect power to the oven.

## STEP 6 - REPLACE THE DOOR

**IMPORTANT:** The oven door is heavy and fragile, and the door front is glass. To avoid oven door glass breakage, use both hands, and grasp only the sides of the oven door to remove.

1. Verify that the door hinge latches are forward, and then insert the oven door hinges into the openings.
2. Lower the oven door to engage the hinges.
3. Press the hinge latches down to lock.

## STEP 7 - COMPLETE INSTALLATION

1. Check that all parts are now installed. If there is an extra part, go back through the steps to see which step was skipped.
2. Dispose of/recycle all packaging materials.
3. Check Operation of Oven.
  - Turn on power.
  - Press BROIL.
  - Set the temperature.
  - Press START.

**NOTE:** If oven(s) does not operate, check the following:

- Household fuse is intact and tight; or circuit breaker has not tripped.
  - Electrical supply is connected.
  - See “Troubleshooting” section in the User Manual.
4. When oven has been on for 5 minutes, feel for heat. If you do not feel heat or if an error message appears in the display, turn off the oven and contact a qualified technician.
  5. Press CANCEL to turn off the oven.

**IMPORTANT:** For oven use and cleaning, read the User Manual.

# TABLE DES MATIERES

<b>SÉCURITÉ DU FOUR .....</b>	<b>17</b>
<b>EXIGENCES D'INSTALLATION.....</b>	<b>18</b>
Outils et pièces.....	18
Exigences d'emplacement.....	18
Dimensions de l'ouverture.....	20
Spécifications électriques.....	21
<b>INSTRUCTIONS D'INSTALLATION .....</b>	<b>23</b>
Étape 1 - Déballage du four .....	23
Étape 2 - Dépose de la porte du four .....	24
Étape 3 - Installation du four .....	25
Étape 4 - Raccordement électrique.....	26
Étape 5 - Installation du four .....	30
Étape 6 - Reprise de la porte du four.....	30
Étape 7 - Fin de l'installation .....	31

## SÉCURITÉ DU FOUR

### **Votre sécurité et celle des autres est très importante.**

Nous donnons de nombreux messages de sécurité importants dans ce manuel et sur votre appareil ménager. Assurez-vous de toujours lire tous les messages de sécurité et de vous y conformer.



Voici le symbole d'alerte de sécurité.

Ce symbole d'alerte de sécurité vous signale les dangers potentiels de décès et de blessures graves à vous et à d'autres. Tous les messages de sécurité suivront le symbole d'alerte de sécurité et le mot "DANGER", "AVERTISSEMENT" ou "ATTENTION".

Ces mots signifient :



Une situation de danger imminent. Vous courez le risque d'un décès ou de blessures graves si vous ne suivez pas immédiatement les instructions.



Une situation potentiellement dangereuse qui, si vous ne l'évitez pas, peut provoquer la mort ou des blessures graves.



Une situation potentiellement dangereuse qui, si vous ne l'évitez pas, peut entraîner des blessures légères à modérées.

Tous les messages de sécurité vous diront quel est le danger potentiel et comment réduire le risque de blessure et ce qui peut se produire en cas de non-respect des instructions.

# EXIGENCES D'INSTALLATION

## OUTILLAGE ET PIÈCES

Rassembler les outils nécessaires avant d'entreprendre l'installation. Lire et observer les instructions fournies avec chacun des outils de la liste ci-dessous.

### TOUTES LES INSTALLATIONS

#### Outils nécessaires :

- Mètre-ruban
- Règle
- Crayon
- Tournevis Phillips
- Niveau
- Coupe-fils et pince à dénuder
- Scie sauteuse ou scie à main
- Scie-cloche de 1"
- Perceuse sans fil et foret
- Gants et lunettes de sécurité
- Voltmètre (0-250VAC)

#### Pièces nécessaires:

- Connecteur de conduit homologué UL
- Connecteurs de fils (homologation UL)

#### Pièces fournies :

- Vis n° 8-14 x 1" – Fours simples (2), fours doubles (4)

### DONNÉES TECHNIQUES

FOUR	DIMENSION	MODÈLE	Caractéristiques électriques et puissance raccordée maximum			
			@ 240 Volts 60 Hz		@ 208 Volts 60 Hz	
			Ampères	Watts	Ampères	Watts
Four simple encastrable	30" (76 cm)	HCW3260AES	20	4800	17,3	3605
			35,4	8500	30,7	6381
Four double encastrable	30" (76 cm)	HCW3285AES	35,4	8500	30,7	6381

## EXIGENCES D'EMPLACEMENT

**IMPORTANT :** Observer les dispositions de tous les codes et règlements en vigueur.

- Respecter les dimensions de l'ouverture entre les placards illustrées. Ces dimensions indiquent le dégagement minimum avec le four.
- L'espace d'installation dans un encastrement doit permettre la formation d'une enceinte complète autour de la partie encastrée du four.
- La surface de support du four doit être robuste, horizontale et en affleurement avec le bas de l'ouverture découpée dans le placard.

### La surface de support du four doit pouvoir supporter un poids de :

Four simple : 130 lb (59 kg), plus 30 lb (14 kg) de nourriture

Four double : 230 lb (105 kg), plus 60 lb (28 kg) de nourriture

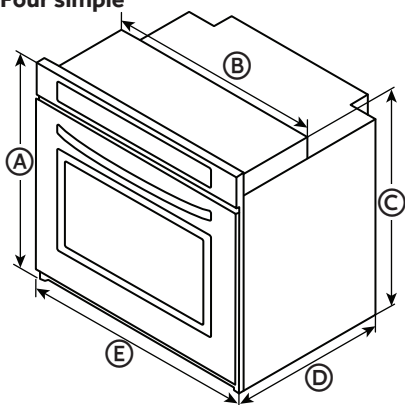
- Une source d'électricité avec liaison à la terre est nécessaire. Voir la section "Spécifications électriques".

**REMARQUE :** Pour l'installation sous un plan de travail, il est recommandé que le boîtier de connexion soit situé dans le placard adjacent, à droite ou à gauche.

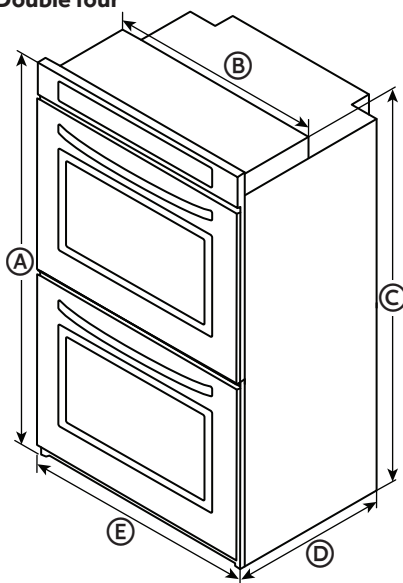
**IMPORTANT :** Afin d'éviter d'endommager les placards, consulter le constructeur de la maison ou le fabricant des placards pour déterminer si les matériaux utilisés peuvent subir un changement de couleur, une déstratification ou d'autres dommages. Ce four a été conçu conformément aux exigences des normes UL et CSA International et respecte les températures maximales permises de 194°F (90°C) pour les placards en bois.

## DIMENSIONS DU PRODUIT

Four simple



Double four

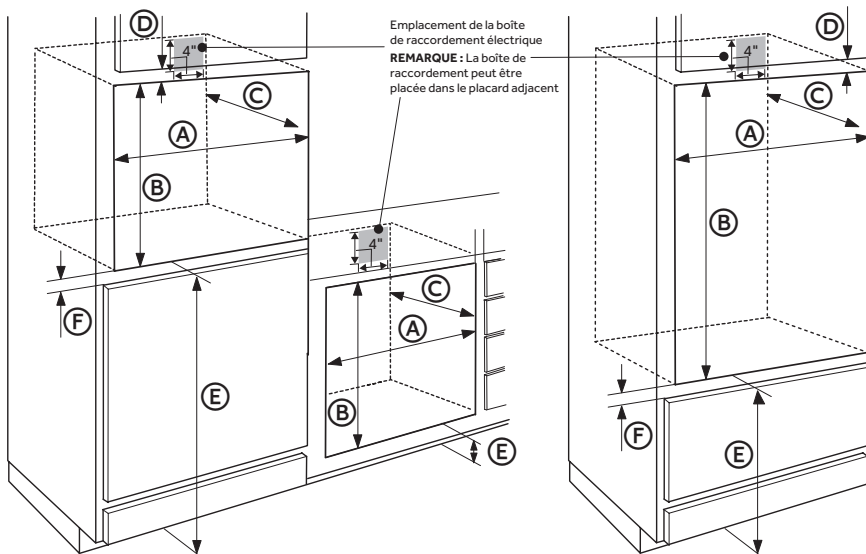


Lettre	Dimensions du four simple	Dimensions du four double
(A)	Hauteur totale de 28 <sup>7</sup> / <sub>16</sub> " (72,2 cm)	Hauteur totale de 51 <sup>3</sup> / <sub>16</sub> " (130 cm)
(B)	Largeur d'encastrement de 28 <sup>1</sup> / <sub>2</sub> " (72,4 cm)	Largeur d'encastrement de 28 <sup>1</sup> / <sub>2</sub> " (72,4 cm)
(C)	Hauteur d'encastrement de 27 <sup>3</sup> / <sub>16</sub> " (69 cm)	Hauteur d'encastrement de 49 <sup>15</sup> / <sub>16</sub> " (126,8 cm)
(D)	Profondeur d'encastrement de 23 <sup>1</sup> / <sub>2</sub> " (59,7 cm)	Profondeur d'encastrement de 23 <sup>1</sup> / <sub>2</sub> " (59,7 cm)
(E)	Largeur totale de 29 <sup>7</sup> / <sub>8</sub> " (75,9 cm)	Largeur totale de 29 <sup>7</sup> / <sub>8</sub> " (75,9 cm)

## DIMENSIONS DE L'OUVERTURE

**Four simple : installé dans un placard et sous le comptoir**

**Four double : installé dans un placard**



		Four simple sous le comptoir, sans table de cuisson	Four simple installé dans un placard	Four double installé dans un placard
(A)	<b>Largeur (découpe)</b>	28 <sup>5</sup> / <sub>8</sub> " (72,7 cm)	28 <sup>5</sup> / <sub>8</sub> " (72,7 cm)	28 <sup>5</sup> / <sub>8</sub> " (72,7 cm)
(B)	<b>Hauteur (découpe)</b>	27 <sup>1</sup> / <sub>2</sub> " (70 cm)	27 <sup>1</sup> / <sub>2</sub> " (70 cm)	50 <sup>1</sup> / <sub>4</sub> " (127,6 cm)
(C)	<b>Profondeur (découpe)</b>	24" (61,0 cm)	24" (61,0 cm)	24" (61,0 cm)
(D)	<b>Du sommet de l'ouverture au bas de la porte du placard supérieur</b>	N/A	1 <sup>1</sup> / <sub>2</sub> " (3,8 cm)	1 <sup>1</sup> / <sub>2</sub> " (3,8 cm)
(E)	<b>Du fond de l'ouverture au plancher (recommandé)*</b>	5 <sup>1</sup> / <sub>4</sub> " (13,3 cm)	32" (81,3 cm)	14 <sup>3</sup> / <sub>4</sub> " (37,5 cm)*
(F)	<b>Du bas de l'ouverture au sommet de la porte du placard</b>	N/A	1 <sup>1</sup> / <sub>2</sub> " (3,8 cm)	1 <sup>1</sup> / <sub>2</sub> " (3,8 cm)
(G)	<b>Chevauchement du four sur les côtés de la découpe</b>	1 <sup>1</sup> / <sub>16</sub> " (1,7 cm)	1 <sup>1</sup> / <sub>16</sub> " (1,7 cm)	1 <sup>1</sup> / <sub>16</sub> " (1,7 cm)

\* Bas de la découpe au plancher (acceptable) : 4" à 14<sup>3</sup>/<sub>4</sub>" (10,2 cm à 37,5 cm)

# SPÉCIFICATIONS ÉLECTRIQUES

Si on utilise un conducteur distinct de liaison à la terre lorsque les codes le permettent, il est recommandé qu'un électricien qualifié vérifie que la liaison à la terre et le calibre pour fils sont conformes aux codes locaux.

Ne pas utiliser de rallonge.

## **Aux États-Unis :**

S'assurer que la connexion électrique et le calibre des fils sont appropriés et conformes au National Electrical Code, aux normes ANSI/NFPA 70 - dernière édition et à tous les codes et règlements locaux

Pour obtenir un exemplaire des normes du code ci-dessus, contacter :

National Fire Protection Association  
One Batterymarch Park  
Quincy, MA 02269

## **Au Canada :**

S'assurer que la connexion électrique et le calibre des fils sont appropriés et en conformité avec le National Electrical Code, ANSI / NFPA n° 70 - dernière édition et avec tous les codes et règlements locaux.

On peut obtenir un exemplaire de la norme ci-dessus auprès de :

Canadian Standards Association  
178 Rexdale Blvd.  
Toronto, ON M9W 1R3 CANADA.

# ⚠ AVERTISSEMENT



## Risque de choc électrique

L'alimentation électrique du circuit du branchement du four doit être coupée lorsque les connexions des lignes sont mises en place.

Ne pas utiliser pas de rallonge avec cet appareil.

Une mise électrique à la terre est nécessaire pour cet appareil. L'extrémité libre du connecteur vert (le connecteur de mise à la terre) doit être connectée à la masse appropriée. Ce connecteur doit rester branché à la masse au four.

Si un tuyau d'eau froide est interrompu par du plastique, des joints non métalliques, des raccords union ou d'autres matériaux isolants, **NE PAS L'UTILISER** pour la mise à la terre.

**NE PAS** brancher la masse à une canalisation de gaz.

Le circuit du **NEUTRE** ou de **LIAISON A LA TERRE** **NE DOIT PAS** contenir de fusible. Un fusible dans le circuit du neutre ou de liaison à la terre pourrait entraîner une électrocution.

L'utilisateur doit consulter un électricien qualifié s'il n'est pas sûr que l'appareil est correctement relié à la terre.

Le non-respect de cette instruction peut causer un décès, un incendie ou un choc électrique.

## Raccordement électrique

Pour installer le four correctement, il faut établir le type de raccords électriques à utiliser et suivre les instructions indiquées ici.

- Le four doit être alimenté par une source d'électricité appropriée (caractéristiques de tension et fréquence spécifiées sur la plaque signalétique). Sur les fours simples, la plaque signalétique est située sous le tableau de commande et sur les fours doubles, sous le tableau de commande sur la cavité du four supérieur. Tous les modèles sont compatibles avec deux types d'installation électrique et conçus pour être raccordés à une alimentation CA monophasée à 3 ou 4 fils de 120/208 V or 120/240 V AC et 60 Hz.

Style	Tension et fréquence	Ampères	Circuit nécessaire
Four simple	240V, 60 Hz	20,0 A	Circuit de 25 ampères
	208V, 60 Hz	17,4 A	Circuit de 20 ampères
Four double	240V, 60 Hz	35,4 A	Circuit de 40 ampères
	208V, 60 Hz	30,7 A	Circuit de 35 ampères

- Installer un boîtier de connexion approprié (non fourni). Un connecteur de conduit homologué UL de dimension appropriée doit être utilisé pour relier correctement le conduit au boîtier de connexion.

**IMPORTANT :** Les codes électriques locaux peuvent varier; les raccordements électriques et la mise à la terre de l'installation doivent être conformes à la réglementation locale en vigueur.

Si les codes locaux autorisent la mise à la terre par le neutre de l'alimentation électrique, raccorder le conducteur neutre (blanc) et le conducteur de terre vert du four au conducteur neutre blanc de l'alimentation électrique.

- En cas de doute quant à la qualité de la liaison à la terre de la four, consulter un électricien qualifié.
- **Four simple** - Lorsqu'une source d'électricité monophasée de 120/240 volts, 60 Hz/4 conducteurs (CA uniquement) est disponible, le circuit doit comporter un dispositif de protection de 25 A maximum (ou 20 A si la source d'électricité spécifiée sur la plaque signalétique est de 120/208 volts).
- **Double four** - Lorsqu'une alimentation électrique monophasée de 120/240 volts, 60 Hz à 4 conducteurs (CA uniquement) est disponible, le circuit doit comporter un dispositif de protection de 40 A maximum (ou de 35 A si l'alimentation électrique spécifiée sur la plaque signalétique est de 120/208 volts, 60 Hz à 4 conducteurs (CA uniquement) est disponible).

## INSTRUCTIONS D'INSTALLATION

**IMPORTANT :** Cet appareil ne doit être installé que par des personnes autorisées et conformément aux directives d'installation du fabricant, aux règlements locaux en matière de raccordement au gaz, aux codes en bâtiment municipaux, aux règlements relatifs au câblage électrique et aux règlements locaux en matière d'alimentation en eau.

### ÉTAPE 1 - DÉBALLAGE DU FOUR

## AVERTISSEMENT

### Risque du poids excessif

Avec l'aide d'au moins deux personnes, déplacer et installer le four.

Le non-respect de cette instruction peut causer une blessure au dos ou d'autres blessures.

1. Avec l'aide d'au moins deux personnes, déballer le four et le placer sur une feuille de carton pour éviter d'endommager le sol.

**REMARQUE :** Pour soulever l'appareil, ne pas saisir la poignée ou toute autre partie de l'encadrement avant.

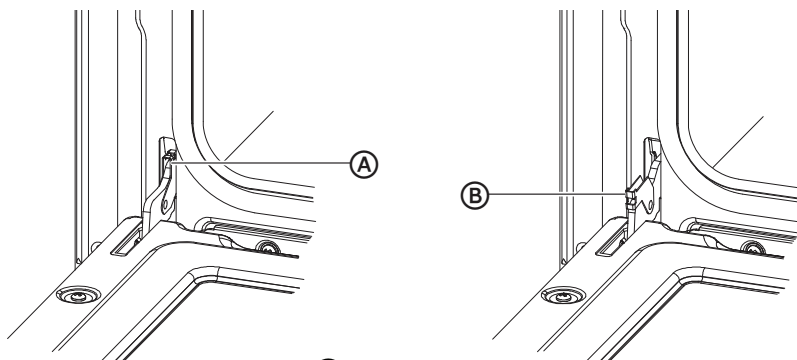
2. Enlever les matériaux d'emballage et les rubans adhésifs du four.
3. Retirer la visserie du sachet de documentation.

- Retirer et mettre de côté les grilles et autres pièces qui se trouvent à l'intérieur du four.
- Déplacer le four sur la feuille de carton, à proximité de l'endroit où il doit être installé.

## ÉTAPE 2 - DÉPOSE DE LA PORTE DU FOUR

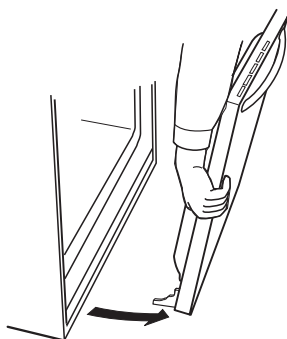
**IMPORTANT :** La porte du four est lourde et fragile, et l'avant de la porte est en verre. Pour éviter de briser le verre de la porte, utiliser les deux mains et agripper la porte du four uniquement par les côtés pour la retirer.

- Ouvrir la porte du four.
- Identifier les loquets de la porte dans les deux angles de la porte et faire pivoter les loquets vers l'avant jusqu'à la position de déverrouillage.



- (A) Verrouillé  
(B) Déverrouillé

- Saisir les rebords de la porte du four à deux mains et fermer la porte du four complètement en la poussant. Soulever et tirer la porte du four vers soi pour l'enlever. Conserver la/les porte(s) de four à part sur une surface de travail couverte.



## ÉTAPE 3 - INSTALLATION DU FOUR

### **⚠ AVERTISSEMENT**

#### **Risque du poids excessif**

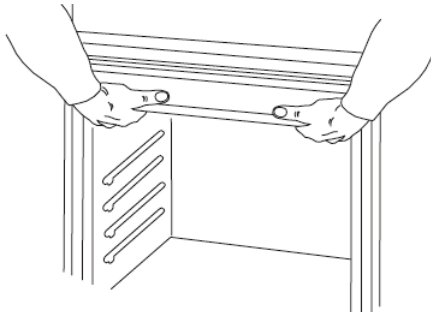
Avec l'aide d'au moins deux personnes, déplacer et installer le four.

Le non-respect de cette instruction peut causer une blessure au dos ou d'autres blessures.

1. À deux personnes ou plus, saisir le plafond de la cavité du four et soulever le four pour le poser sur une table ou une plateforme à hauteur de l'ouverture d'encastrement.

**REMARQUE :** La surface doit pouvoir supporter un poids de :

- Four simple : 160 lb (73 kg)
- Four double : 290 lb (132 kg)



2. Acheminer le conduit flexible d'alimentation électrique du four à la boîte de raccordement.

## ÉTAPE 4 - RACCORDEMENT ÉLECTRIQUE

pour installer le four correctement, il faut établir le type de raccord électrique que l'on utilisera et suivre les instructions indiquées ici.

### RACCORDEMENT PAR CÂBLAGE DIRECT

## ⚠ AVERTISSEMENT



### Risque de choc électrique

Déconnecter la source de courant électrique avant l'intervention.

Un raccordement incorrect du câblage en aluminium du domicile au câblage en cuivre de l'appareil peut créer un risque électrique ou déclencher un incendie. Si le domicile est doté d'un câblage en aluminium, n'utiliser que des connecteurs conçus et homologués UL pour raccorder le cuivre à l'aluminium et suivre rigoureusement la procédure recommandée par le fabricant. Les raccordements du cuivre à l'aluminium doivent être conformes aux codes locaux.

Pour le four simple, utiliser un conducteur en cuivre ou en aluminium de calibre 10.

Pour le four double, utiliser un conducteur en cuivre ou en aluminium de calibre 8.

Raccorder l'appareil à la terre.

Le non-respect de cette instruction peut causer un décès, un incendie ou un choc électrique.

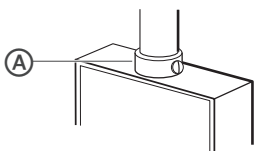
**Assurez-vous que votre appareil est correctement installé et relié à la terre par un technicien qualifié. Demandez à votre revendeur de vous recommander un technicien qualifié ou un service de réparation agréé.**

Le câblage d'alimentation de ce four comporte un conducteur neutre (blanc) et un conducteur vert (ou nu) de liaison à la terre connecté à la caisse; ces deux conducteurs sont torsadés.

Après s'être assuré que l'alimentation a été coupée, raccorder le conduit flexible partant du four à la boîte de raccordement au moyen d'un connecteur de conduit homologué UL. Les schémas Neutre relié à la terre et Neutre non relié à la terre figurant sur les pages suivantes et les instructions correspondantes présentent les méthodes les plus courantes de raccordement des fours. Il est bien entendu que les codes et règlements locaux prévalent sur ces instructions. Acheter les raccordements électriques conformément aux codes et règlements locaux.

1. Déconnecter la source de courant électrique.
2. Ôter le couvercle de la boîte de raccordement.

3. Installer un connecteur de conduit (homologation UL ou CSA) sur le boîtier de raccordement.



(A) Connecteur de conduit homologué UL ou CSA

4. Acheminer le conduit d'alimentation flexible depuis le four jusqu'au boîtier de raccordement – utiliser un connecteur de conduit (homologation UL ou CSA).
5. Serrer les vis sur le connecteur de conduit.

## CONNEXION À 3 CONDUCTEURS (NEUTRE RELIÉ À LA TERRE) - É.-U. SEULEMENT

### ⚠ AVERTISSEMENT



#### Risque de choc électrique

Le raccordement à la terre par le conducteur neutre est interdit pour les nouvelles installations à circuit de dérivation (Code national de l'électricité 1996), les résidences mobiles et les véhicules de loisirs, ainsi que dans toute région où les codes locaux interdisent le raccordement à la terre par le conducteur neutre. Pour les installations où le raccordement à la terre par le conducteur neutre est interdit, se reporter au schéma Neutre non relié à la terre.

Pour raccorder l'appareil à la terre, utiliser le conducteur ou la borne de mise à la terre.

Connecter de la manière habituelle le conducteur ou la borne neutre au neutre du circuit de dérivation.

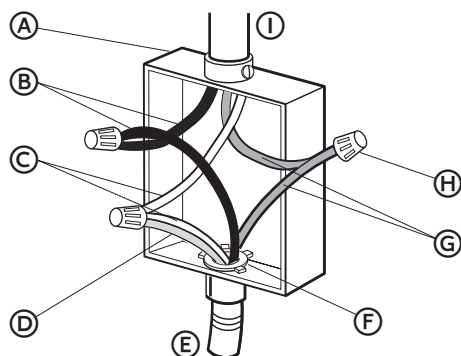
Le non-respect de cette instruction peut causer un décès, un incendie ou un choc électrique.

#### Câble à 3 conducteurs depuis le point de distribution du domicile

**IMPORTANT :** Utiliser le câble à 3 conducteurs depuis le point de distribution du domicile lorsque les codes locaux autorisent un tel raccordement.

1. Déconnecter la source de courant électrique.

## Neutre relié à la terre



- |                                  |                                       |   |
|----------------------------------|---------------------------------------|---|
| Ⓐ Boîtier de connexion           | Ⓓ Conducteurs de terre (verts ou nus) | Ⓖ Conducteurs rouges                    |
| Ⓑ Conducteurs noirs              | Ⓔ Câble du four                       | Ⓗ Connecteurs de fils (homologation UL) |
| Ⓒ Conducteurs du neutre (blancs) | Ⓕ Connecteur de conduit homologué UL  | Ⓘ Alimentation électrique du domicile   |

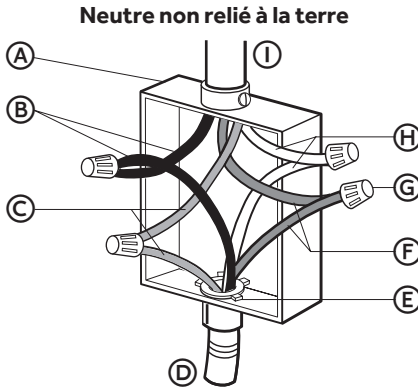
2. Connecter ensemble les 2 conducteurs noirs Ⓑ au moyen d'un connecteur de fils (homologation UL).
3. Connecter les 2 conducteurs de neutre (blancs) Ⓒ et le conducteur (vert ou nu) de terre Ⓓ (du câble du four) au moyen d'un connecteur de fils (homologation UL).
4. Connecter les 2 conducteurs rouges Ⓖ au moyen d'un connecteur de fils (homologation UL).
5. Installer le couvercle du boîtier de connexion.

# CONNEXION À 4 CONDUCTEURS (NEUTRE NON RELIÉ À LA TERRE) - ÉTATS-UNIS ET CANADA

## Câble à 4 conducteurs depuis le point de distribution du domicile

**IMPORTANT :** Utiliser le câble à 4 conducteurs provenant du point de distribution du domicile aux États-Unis lorsque les codes locaux ne permettent pas la mise à la terre par l'intermédiaire du conducteur neutre, en cas de nouvelle installation avec alimentation par un circuit secondaire (Code national de l'électricité 1996), dans les résidences mobiles et les véhicules récréatifs, dans les nouvelles constructions, et au Canada.

1. Déconnecter la source de courant électrique.



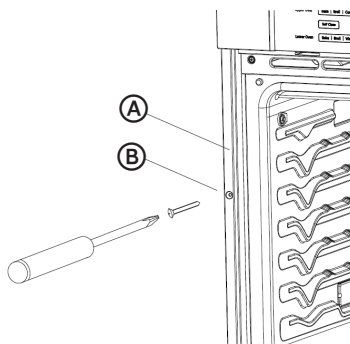
- |                          |  |   |
|--------------------------|--|---|
| (A) Boîtier de connexion | (E) Connecteur de conduit (homologation UL ou CSA) | (G) Connecteurs de fils (homologation UL) |
| (B) Conducteurs noirs    | (F) Conducteurs de terre (verts ou nus)            | (H) Conducteurs du neutre (blancs)        |
| (C) Conducteurs rouges   | (I) Alimentation électrique du domicile            |   |
| (D) Câble du four        |  |   |

2. Connecter ensemble les deux conducteurs noirs (B) au moyen d'un connecteur de fils (homologation UL).
3. Connecter les 2 conducteurs rouges (C) au moyen d'un connecteur de fils (homologation UL).
4. Détorsader le conducteur blanc du conducteur vert (ou nu) de liaison à la terre provenant du four.
5. Connecter les 2 conducteurs neutres (blancs) (H) au moyen d'un connecteur de fils (homologation UL).
6. Connecter le conducteur de terre (vert ou nu) (F) du câble du four au conducteur de terre (vert ou nu) dans le boîtier de connexion au moyen d'un connecteur de fils (homologation UL).
7. Installer le couvercle du boîtier de raccordement.

## ÉTAPE 5 - INSTALLATION DU FOUR

1. Faire glisser complètement le four dans le placard, jusqu'à ce que la surface arrière de l'encadrement avant touche la paroi avant du placard. Centrer le four dans l'ouverture du placard.

**REMARQUE :** Pour introduire le four dans le placard, pousser contre la zone du joint du four située sur le châssis avant. Ne pas pousser contre les bords externes.



- (A) Cadre de montage  
(B) Trou du cadre de montage

2. Il y a deux trous, un sur chaque côté du châssis avant qui entoure la cavité du four. Percer des avant-trous de  $\frac{1}{8}$ " à travers les trous de l'encadrement avant dans la paroi avant du placard.

**REMARQUE :** Le double four comporte quatre trous de montage, deux de chaque côté.

3. Insérer les vis n° 8-14 x 1" (fournies) à travers les trous pour fixer solidement le four à l'armoire. Ne pas serrer les vis excessivement.
4. Réinstaller les grilles du four.
5. Reconnecter le four à l'alimentation électrique.

## ÉTAPE 6 - REPOSE DE LA PORTE DU FOUR

**IMPORTANT :** La porte du four est lourde et fragile, et l'avant de la porte est en verre. Pour éviter de briser le verre de la porte, utiliser les deux mains et agripper la porte du four uniquement par les côtés pour la retirer.

1. Vérifier que les loquets des charnières de la porte sont orientés vers l'avant, puis insérer alors les charnières de la porte du four dans les ouvertures.
2. Abaisser la porte du four afin que les charnières se mettent en place.
3. Appuyer sur les loquets de charnière pour verrouiller.

## ÉTAPE 7 – FIN DE L'INSTALLATION

1. Vérifier que toutes les pièces sont maintenant installées. S'il reste une pièce, passer en revue les différentes étapes pour découvrir laquelle aurait été oubliée.
2. Éliminer/recycler tous les matériaux d'emballage.
3. Vérifier le fonctionnement du four.
  - Mettre l'appareil sous tension.
  - Appuyer sur BROIL (cuisson au gril).
  - Régler la température.
  - Appuyer sur START (mise en marche).

**REMARQUE :** Si le(s) four(s) ne fonctionne(nt) pas, contrôler ce qui suit :

- Les fusibles du domicile sont intacts et serrés; le disjoncteur n'est pas déclenché.
  - La prise de courant est correctement alimentée.
  - Voir la section "Dépannage" dans le Guide d'utilisation.
4. Après 5 minutes de fonctionnement du four, vérifier qu'il y a émission de chaleur. Si aucune chaleur n'est ressentie ou si un message d'erreur apparaît sur l'affichage, éteindre le four et contacter un technicien qualifié.
  5. Appuyer sur CANCEL (annulation) pour éteindre le four.

**IMPORTANT :** Pour l'utilisation et le nettoyage du four, lire le Guide d'utilisation.





