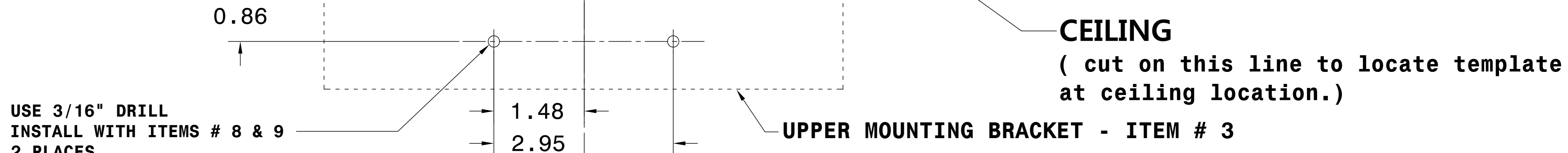
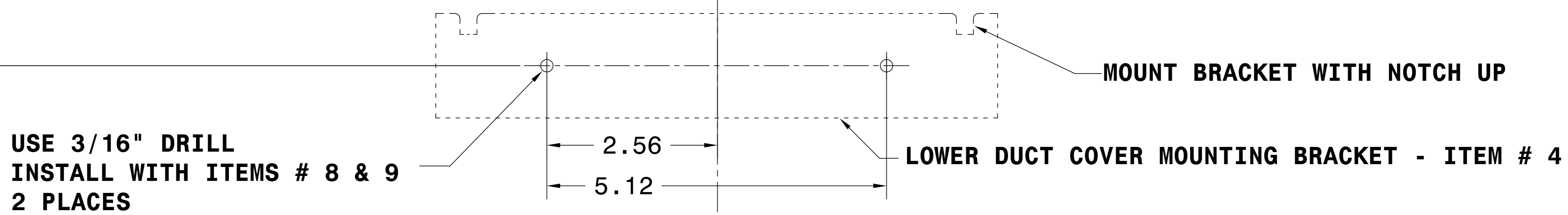


UPPER DUCT COVER MOUNTING TEMPLATE



Note: Place this template in ceiling corner to mount upper bracket for chimney cover.

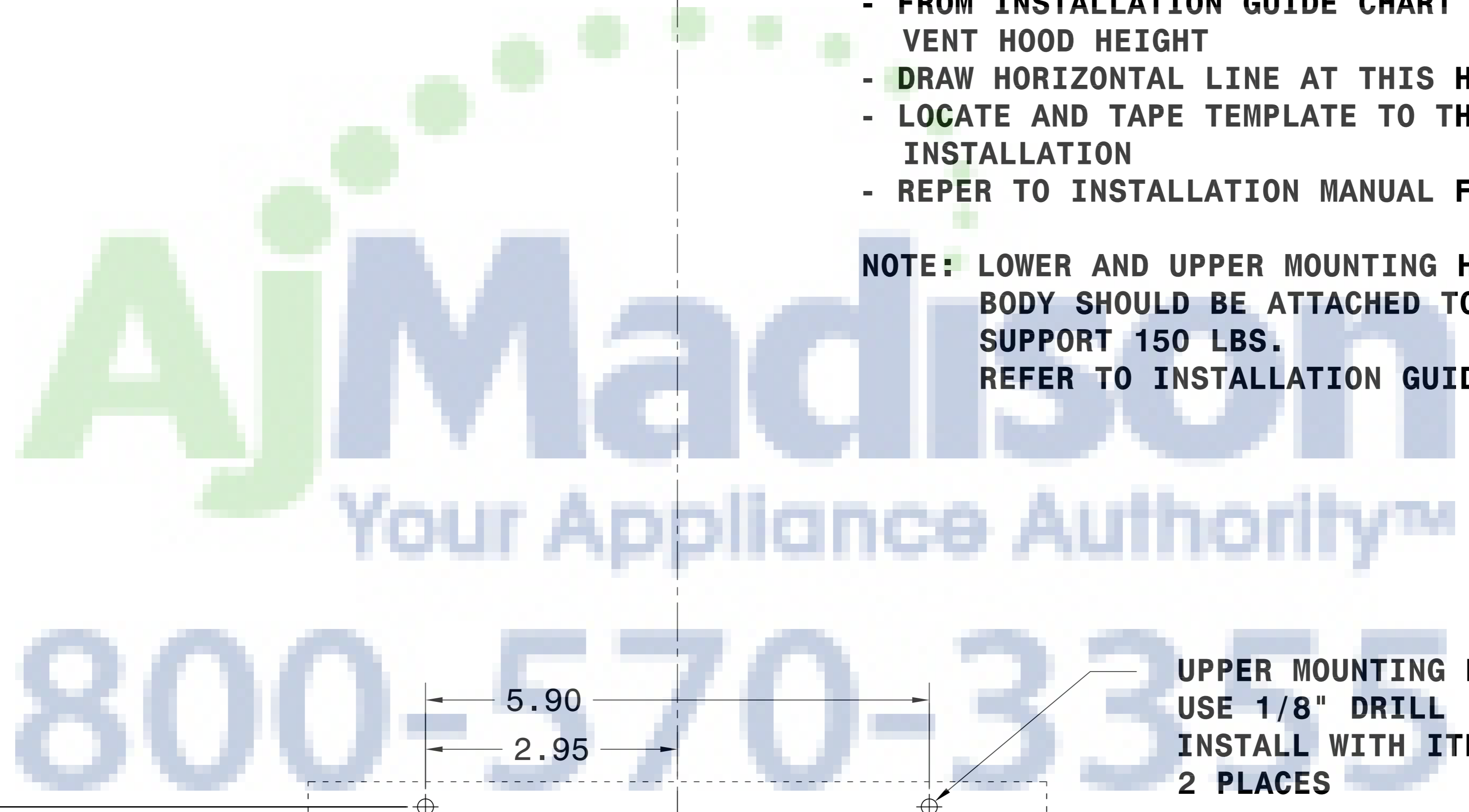
CUT ALONG THIS LINE



RANGE HOOD LOCATION INSTRUCTIONS:

- LOCATE CENTER OF COOKTOP
- DRAW VERTICAL LINE ON WALL TO CEILING
- FROM INSTALLATION GUIDE CHART - DETERMINE DESIRED VENT HOOD HEIGHT
- DRAW HORIZONTAL LINE AT THIS HEIGHT
- LOCATE AND TAPE TEMPLATE TO THE WALL FOR PROPER INSTALLATION
- REFER TO INSTALLATION MANUAL FOR PROPER ASSEMBLY

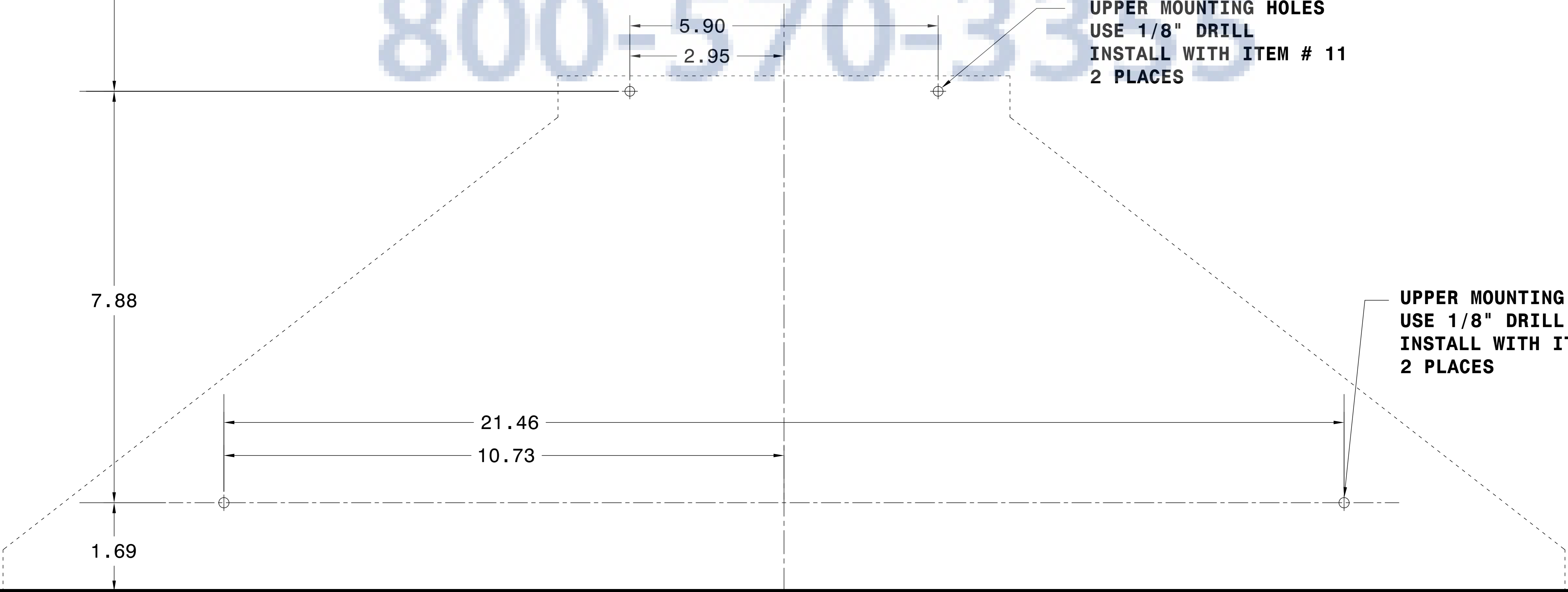
NOTE: LOWER AND UPPER MOUNTING HOLES ON RANGE HOOD BODY SHOULD BE ATTACHED TO WOOD STRUCTURE TO SUPPORT 150 LBS.
REFER TO INSTALLATION GUIDE FOR DETAILS



15.67

UPPER MOUNTING HOLES
USE 1/8" DRILL
INSTALL WITH ITEM # 11
2 PLACES

UPPER MOUNTING HOLES
USE 1/8" DRILL
INSTALL WITH ITEM # 11
2 PLACES



BOTTOM OF RANGE HOOD
(cut on this line to locate templates
at correct installation height.)

CENTERLINE OF PRODUCT LOCATION SHOULD MATCH CENTER OF COOKTOP