

FAUCET INSTALLATION OPERATION/MAINTENANCE

FAUCET INSTALLATION OPERATION/MAINTENANCE

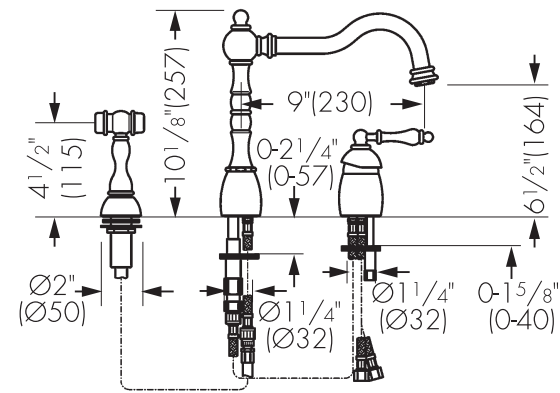
FHF200, PART

FHF600 LIST

FHF200, PART

FHF600 LIST

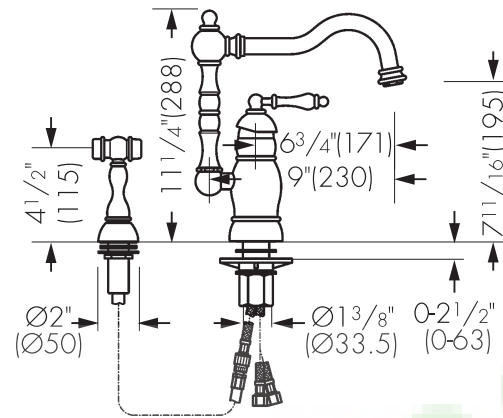
FHF200



- Remove lock nut, metal washer, one rubber washer and plastic spacer. A second rubber washer or O-ring, depending on the model, will remain on the faucet.
- Insert faucet body into sink.
- Remount rubber washer and plastic spacer followed by metal washer to faucet shank under sink. Remount lock nut to shank and hand-tighten. **Note:** Lock nut has provisions for various desk thicknesses. For standard thicknesses, apply lock nut with unthreaded portion first.
- For model FHF200 insert base of spout with rubber washer between the base and deck. From under sink, slip on rubber washer and metal washer, followed by nut. Check for proper alignment of notch in both washers so that supply tube passes through. Tighten the nut. Tighten the nipple on the shank. Be sure to maintain the fiber. Connect outlet supply tube from the body to the nipple. Be sure to maintain the fiber.
- Rotate the spout to the left and right. Be sure the faucet is aligned properly. Make final tightening of lock nut.
- Connect the supply hoses to the hot and cold water supply valves. Be sure to hold the supply hoses in place when tightening the nut so as not to twist the hoses.
- Confirm that faucet operating handle is in closed position and open supply valves. Check connections for leakage.
- For model with side spray:
 - Place spray head holder through hole in sink, attach mounting nut and tighten securely.
 - Thread hose through the spray head holder and attach end of hose to the outlet hose. Be sure to maintain the fiber. **Caution:** Hose will leak if washer are installed incorrectly.
- The mixer is operated by moving the handle.
- Swivel hand to the left for hot water.
- Swivel hand to the right for cold water. Rotate the handle upward and for volume control pull handle away from faucet.
- On kitchen faucets:
 - The hand spray can be drawn approximately 20 inches out of the arm.
 - The flow of the water is changed from bubble to needle spray by pushing down upon the diverter button located on top of the hand spray.
 - After the water flow has been shut off, the hand spray automatically reverts back to the bubble spray mode.

Use only clean water or very diluted soapy water with all finishes. Do not use any abrasive cleaners.

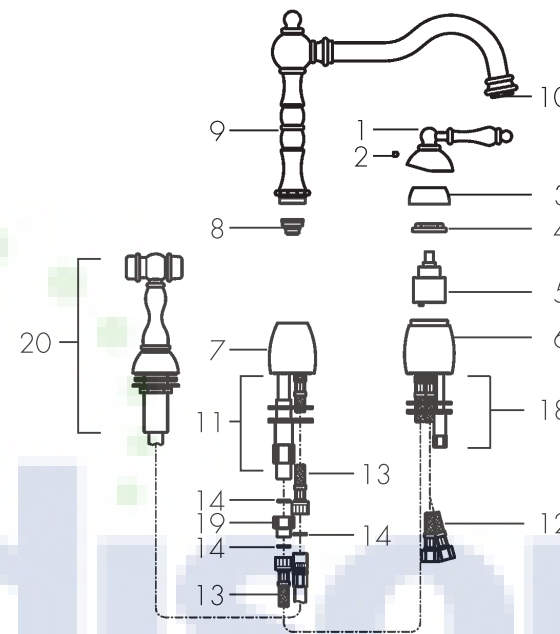
FHF600



- Remove lock nut, metal washer, one rubber washer and plastic spacer. A second rubber washer or O-ring, depending on the model, will remain on the faucet.
- Insert faucet body into sink.
- Remount rubber washer and plastic spacer followed by metal washer to faucet shank under sink. Remount lock nut to shank and hand-tighten. **Note:** Lock nut has provisions for various desk thicknesses. For standard thicknesses, apply lock nut with unthreaded portion first.
- For model FHF200 insert base of spout with rubber washer between the base and deck. From under sink, slip on rubber washer and metal washer, followed by nut. Check for proper alignment of notch in both washers so that supply tube passes through. Tighten the nut. Tighten the nipple on the shank. Be sure to maintain the fiber. Connect outlet supply tube from the body to the nipple. Be sure to maintain the fiber.
- Rotate the spout to the left and right. Be sure the faucet is aligned properly. Make final tightening of lock nut.
- Connect the supply hoses to the hot and cold water supply valves. Be sure to hold the supply hoses in place when tightening the nut so as not to twist the hoses.
- Confirm that faucet operating handle is in closed position and open supply valves. Check connections for leakage.
- For model with side spray:
 - Place spray head holder through hole in sink, attach mounting nut and tighten securely.
 - Thread hose through the spray head holder and attach end of hose to the outlet hose. Be sure to maintain the fiber. **Caution:** Hose will leak if washer are installed incorrectly.
- The mixer is operated by moving the handle.
- Swivel hand to the left for hot water.
- Swivel hand to the right for cold water. Rotate the handle upward and for volume control pull handle away from faucet.
- On kitchen faucets:
 - The hand spray can be drawn approximately 20 inches out of the arm.
 - The flow of the water is changed from bubble to needle spray by pushing down upon the diverter button located on top of the hand spray.
 - After the water flow has been shut off, the hand spray automatically reverts back to the bubble spray mode.

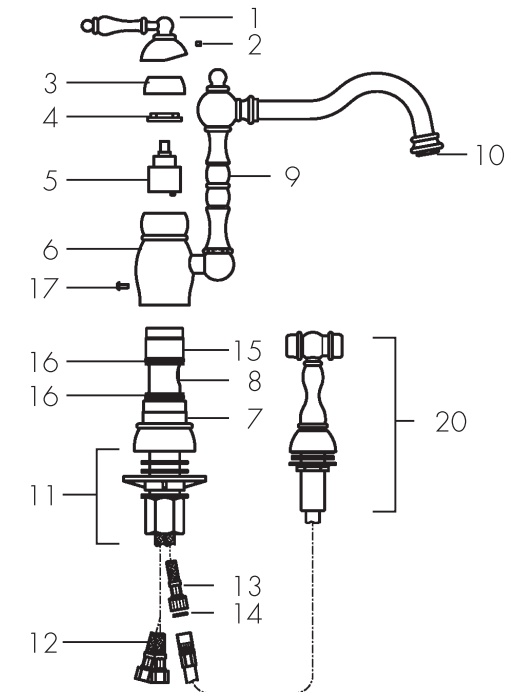
Use only clean water or very diluted soapy water with all finishes. Do not use any abrasive cleaners.

FHF200



FHF 200 Drawing	FHF 600 Part No	FHF 200 Drawing	FHF 600 Part No	PART LIST
1	F0516	1	F0516	Lever Handle
2	F1901	2	F1901	Screw
3	F0104	3	F0104	Cap
4	F0202	4	F0202	Cartridge nut
5	F0304	5	F0304	Cartridge
6	F1604	6	F1602	Body
7	F1703	7	F1702	Base
8	F1100	8	F1100	Diverter
9	F1802	9	F1805	Spout
10	F0401	10	F0401	Aerator
11	F0603	11	F0600 F0605	Fastening set
12	F0803	12	F0803	Supply flexible hoses
13	F0804	13	F0804	Supply tube
14	F1002	14	F1002	Fiber washer
-	-	15	F1603	Inner body
-	-	16	F1004	O-Ring
-	-	17	F1901	Screw
18	F0601	-	-	Fastening set
19	F0906	-	-	Nipple
20	F0706	20	F0706	Side spray

FHF600



FHF 200 Drawing	FHF 600 Part No	FHF 200 Drawing	FHF 600 Part No	PART LIST
1	F0516	1	F0516	Lever Handle
2	F1901	2	F1901	Screw
3	F0104	3	F0104	Cap
4	F0202	4	F0202	Cartridge nut
5	F0304	5	F0304	Cartridge
6	F1604	6	F1602	Body
7	F1703	7	F1702	Base
8	F1100	8	F1100	Diverter
9	F1802	9	F1805	Spout
10	F0401	10	F0401	Aerator
11	F0603	11	F0600 F0605	Fastening set
12	F0803	12	F0803	Supply flexible hoses
13	F0804	13	F0804	Supply tube
14	F1002	14	F1002	Fiber washer
-	-	15	F1603	Inner body
-	-	16	F1004	O-Ring
-	-	17	F1901	Screw
18	F0601	-	-	Fastening set
19	F0906	-	-	Nipple
20	F0706	20	F0706	Side spray