



Downdraft Vent

FH30DD50M S

30" In-Cabinet



Signature Features

Infinite-Speed Blower Control

The ultraquiet blower allows you to select the precise airflow needed.

Push-Button Auto Raise/Lower

When activated, the downdraft rises 10" to capture even the most stubborn cooking odors. Can be vented through wall or floor.

Dishwasher-Safe Filters

Filters remove even the most persistent cooking odors and clean up easily by cycling through your dishwasher.

Features

Nominal Width	30"
Installation Type	Downdraft
Style	In-Cabinet
Controls	Push Button
Air Discharge	Right and Left
Air Delivery (CFM)	600
Intake Area	98.5 Sq. In.
Blower Type	Centrifugal
Sound Level (dBA)	59.2
Fan Speeds	Infinite-Speed
Dishwasher-Safe Stainless Steel Filters	2
Exhaust Duct	External
Duct Required	3-1/4" x 10" or 6" Round

Specifications

Product Dimensions -	
Height (Including 10" Rise)	34-5/16"
Width	30"
Depth	11-7/16"
Voltage Rating	120V / 60 Hz / 15A
Connected Load (kW Rating) @ 120 Volts†	.41kW
Amps @ 120 Volts	3.4
Motor Power Cord Location	Right Middle Side
Shipping Weight (Approx.)	61 Lbs.
Sones Rating	8.7

†For use on adequately wired 120V, dedicated circuit having 2-wire service with a separate ground wire. Appliance must be grounded for safe operation.

NOTE: Always consult local and national electric codes. Check local building codes for installation requirements, as they may vary per locale. Refer to Product Installation Guide for detailed installation instructions on the web at frigidaire.com.

Specifications subject to change.

Available in:



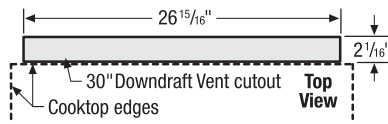
Stainless
(S)

Typical 30" Downdraft Vent / Cooktop Installation

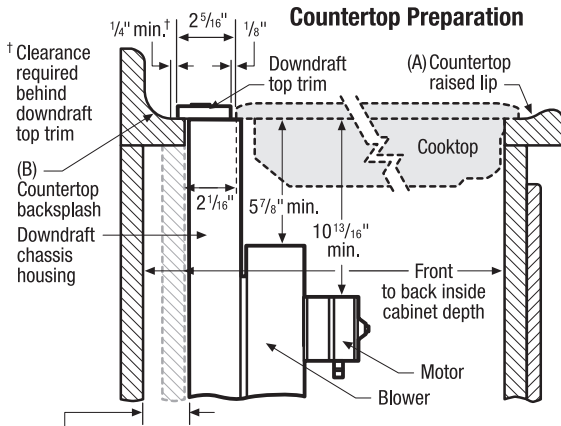
Designed for use with cooktop in conventional, island or peninsula installation.

Countertop Cutout Dimensions

(Cutout template provided, packed with vent.)



For complete installation details and specifications, refer to Product Installation Guide on web.



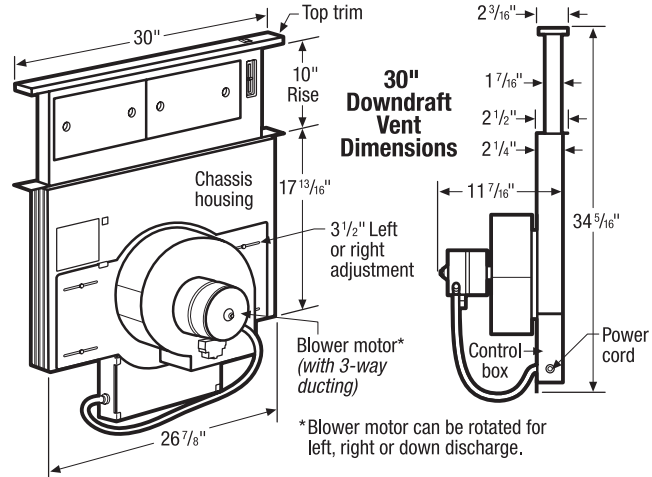
Maximum 4 1/2" gap allowed between inside cabinet back and chassis BEFORE downdraft stabilizing brackets will require wood support installation for mounting

Cooktop Installation Notes:

To ensure proper installation, refer to model-specific cooktop installation guide on web for dimensions, countertop cutout dimensions and cabinet requirements; oversized cabinets recommended for ease of installation. Due to varying cooktop depths, tight fit is possible between cooktop and vent, depending on overall depth of countertop.

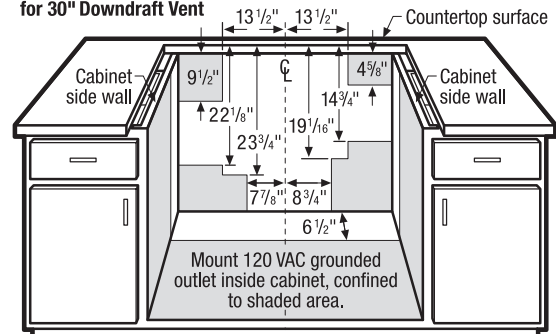
Countertop Preparation Notes:

Pre-formed countertops with (A) raised lip and/or (B) backsplash may not allow enough flat area for proper installation. Minimum 2-5/16" of flat countertop required behind cooktop and 2-1/16" necessary between back edge of cooktop and inside of cabinet back. To ensure adequate clearance for air vent when raised/lowered, 1/8" gap needed between back edge of cooktop and front of downdraft top trim.



*Blower motor can be rotated for left, right or down discharge.

Electrical Supply Outlet Installation for 30" Downdraft Vent



Electrical Installation Notes: All vertical dimensions relative to top surface of countertop; all horizontal dimensions relative to cutout in countertop. Locate grounded electrical outlet for 28"-long power cord within reachable distance. When installing vent in 30"-wide cabinet, outlet cannot be located on back wall of cabinet, but can be wall-mounted with access hole in cabinet. Ensure that access to outlet will NOT be obstructed by ducting after installation.

Downdraft Vent Specifications

- Voltage Rating - 120V / 60Hz / 15 Amps
- Connected Load (kW Rating) @ 120 Volts = 0.41kW (For use on adequately wired 120V, dedicated circuit having 2-wire service with a separate ground wire. Appliance must be grounded for safe operation.)
- Amps @ 120 Volts = 3.4 Amps
- Do not use same circuit as cooktop.
- Always consult local and national electric codes. Check local building codes for installation requirements, as they may vary per locale.
- Locate grounded electrical outlet for 28"-long power cord within reachable distance. When installing vent in 30"-wide cabinet, outlet cannot be located on back wall of cabinet, but can be wall-mounted with access hole in cabinet.
- Downdraft Vent designed for installation with cooktop in island, peninsula or conventional installation. (Cutout template provided, packed with vent.)
- To ensure proper installation with cooktop, refer to model-specific cooktop installation guide on web for dimensions, countertop cutout dimensions and cabinet requirements; oversized cabinets recommended for ease of installation. Due to varying cooktop depths, tight fit is possible between cooktop and vent, depending on overall depth of countertop.
- Pre-formed countertops with raised lip and/or backsplash may not allow enough flat area for proper installation. Minimum 2-5/16" of flat countertop required behind cooktop and 2-1/16" necessary between back edge of cooktop and inside of cabinet back.
- To ensure adequate clearance for air vent when raised/lowered, 1/8" gap needed between back edge of cooktop and front of downdraft top trim.

- Vent exhaust air outside only.
- Exhaust Duct Required - Galvanized or aluminum duct in 6" round or 3-1/4" x 10" rectangular, or combination of both. PVC should be used if installing under concrete slab.
- Three blower discharge direction options available; rotate blower motor for left, right or down discharge.
- Consider ductwork location before cutting hole in cabinet. Blower motor mounted on slide plate, enabling 3-1/2" left or right adjustment to avoid duct interference with joists or other obstructions.
- For maximum efficiency, use shortest and straightest duct run possible. System operates most efficiently with up to 60 equivalent feet of duct; Downdraft Vent operates properly with ductwork up to 100 equivalent feet. (Refer to Calculating Duct Length Table in Product Installation Guide.)
- Do not use flexible duct. Round duct instead of rectangular duct recommended, especially when elbows are required.
- Thermal breaks such as short section of nonmetallic duct, should be used in areas of extreme cold. Cold weather installations should have additional backdraft damper installed.
- High level of airflow may affect gas flame on some gas cooktop models.

Note: For planning purposes only. Refer to Product Installation Guide on the web at frigidaire.com for detailed instructions.

Accessories information available on the web at frigidaire.com

