

FRIGIDAIRE

GALLERY



Side-by-Side Refrigerator

FGTC2349K S

23 Cu. Ft. Counter-Depth



Signature Features



Panel Kit-Ready

Can be customized with stainless steel or custom cabinet panels.



Most Usable Shelf Space¹

Our adjustable shelves have room to store more.



SpaceWise™ Organization System

Our SpaceWise™ Organization system makes it easy to keep food organized and easy to find when you need it.



Best-in-Class Ice & Water Filtration²

PureSource Ultra™ Water Filtration offers best-in-class water filtration so you get cleaner, better-tasting water at your fingertips.

Powerful Performance

- Quick Freeze
- Quick Ice
- Energy Saver Plus Technology
- PureAir Ultra™ Filters
- Quiet Pack

Performance-Driven Style

- Express-Select™ Controls
- Temp/Door Ajar/Power Failure Alerts
- Designer Lighting
- 12-Button Water & Ice Dispenser
- Digital Electronic Temperature Controls
- Textured Cabinet

SpaceWise™ Design

Refrigerator -

- SpaceWise™ Adjustable Glass Shelf
- 2 Sliding SpillSafe™ Glass Shelves
- Chill Drawer
- 2 Clear Crispers (1 Divided) with 3 Adjustable Humidity Controls
- Wine Rack/Can Dispenser
- 2 Adjustable Clear 2-Liter Door Bins
- Fixed Clear Gallon Door Bin
- Clear Condiment Bin

Freezer -

- 2 Fixed Glass Shelves
- Space-Saver Shelf
- Full-Extension Basket
- Regular Basket
- Half Basket
- 2 Clear Fixed Door Bins
- 2 Tilt-Out Wire Door Shelves

ENERGY STAR®

Sabbath Mode (Star-K® Certified)



Capacities

Total Capacity	22.6 Cu. Ft.
Refrigerator Volume	14.1 Cu. Ft.
Freezer Volume	8.5 Cu. Ft.

Overall Exterior Dimensions

Height (Including Hinges & Rollers)	69-3/8"
Width	35-5/8"
Depth	26-7/8"

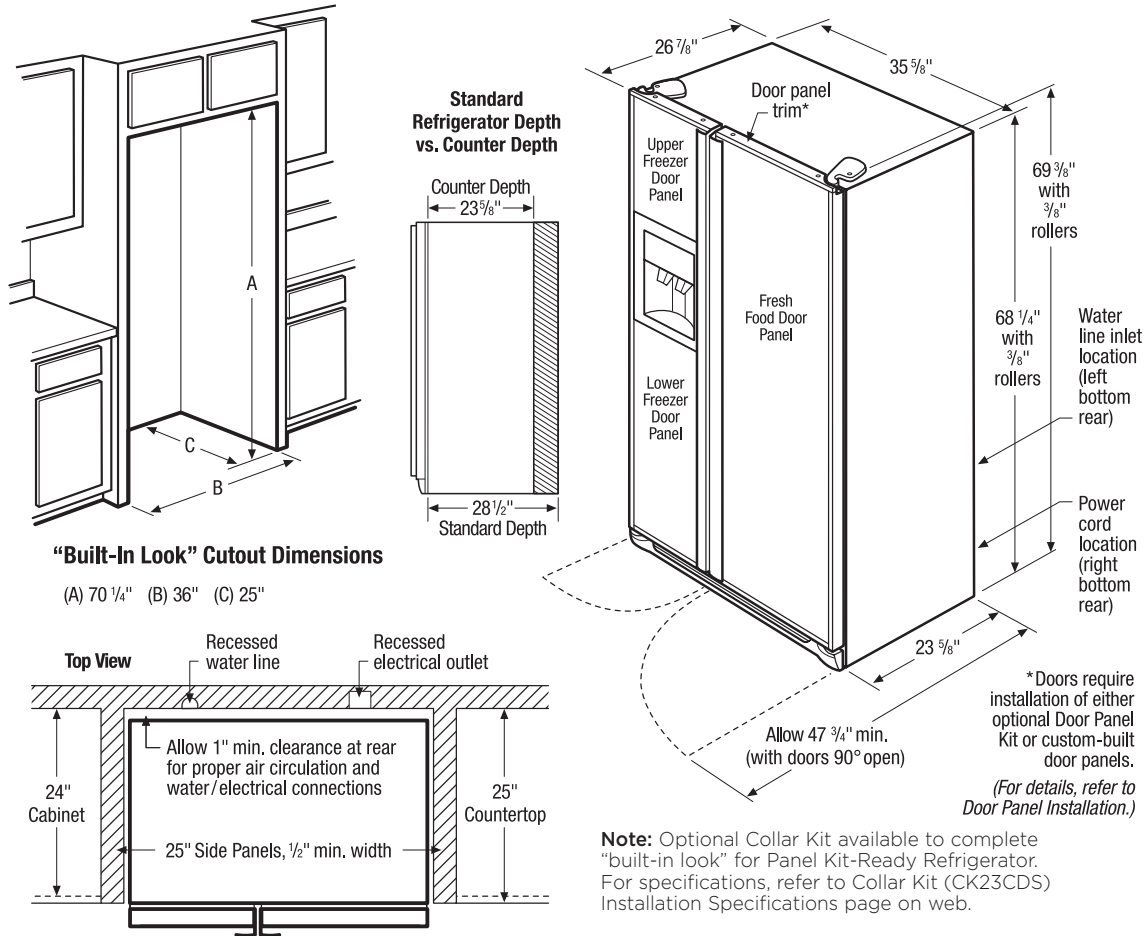
Available in:



Stainless (S)

¹As compared to other counter-depth side-by-side models.

²As compared to other consumer refrigeration water filtration systems.



Side-by-Side Refrigerator Specifications

- Panel kit-ready refrigerator doors require installation of either optional Door Panel Kit or custom-built door panels. (For details, refer to Door Panel Installation on this page.)
- Product Shipping Weight (approx.) - 325 Lbs.
- Voltage Rating - 120V / 60 Hz / 15 or 20 Amps
- Connected Load (kW Rating) @ 120 Volts = 1.02 kW (For use on adequately wired 120V, dedicated circuit having 2-wire service with a separate ground wire. Appliance must be grounded for safe operation.)
- Amps @ 120 Volts = 8.5 Amps
- Always consult local and national electric & plumbing codes.
- Floor should be level surface of hard material, capable of supporting fully loaded refrigerator.
- When installing refrigerator adjacent to wall, cabinet or other appliance that extends beyond front edge of unit, 20" minimum clearance recommended to allow for optimum 120° to 180° door swing, providing complete drawer/crisper access and removal. (Absolute 4-1/2" minimum clearance will ONLY allow for 90° door swing which will provide drawer/crisper access with restricted removal.)
- To ensure optimum performance, avoid installing in direct sunlight or close proximity to range, dishwasher or other heat source.
- For proper ventilation, front grille MUST remain unobstructed.
- Recess electrical outlet when possible.
- Water recess on rear wall recommended to prevent water line damage.
- Water Pressure - Cold water line must provide between 30 and 100 pounds per square inch (psi).

- Copper tubing with 1/4" O.D. recommended for water supply line with length equal to distance from rear of unit to household water supply line plus 7 additional feet. Optional Water Supply Installation Kits available.
- Adjustable front rollers to assist with door alignment.

“Built-In Look” Specifications

- Minimum opening of 70-1/4" H x 36" W x 25" D required to allow for ease of installation, proper air circulation, and plumbing/electrical connections.
- If optional Collar Kit (PN# CK23CDS) is to be used, different cutout dimensions are required. (Refer to Collar Kit CK23CDS Installation Specifications page on web.)
- Remove all wall/floor molding prior to installation.

Door Panel Installation

- Removable door trim is designed to accept either optional stainless steel Door Panel Kit or custom-built door panels to match cabinetry or other decor. (For complete custom panel construction and installation details, refer to Panel Kit-Ready Refrigerator Door Panel Installation page on web; for complete Door Panel Kit installation refer to detailed instructions on web or included with kit.)

Note: For planning purposes only. Refer to Product Installation Guide on the web at frigidaire.com for detailed instructions.

Optional Accessories

- Stainless Steel Door Panel Kit - (PN# PK23CDS).
- Stainless Look Collar Kit - (PN# CK23CDS).

Door Panel Kit & Custom-Built Door Panel Installation

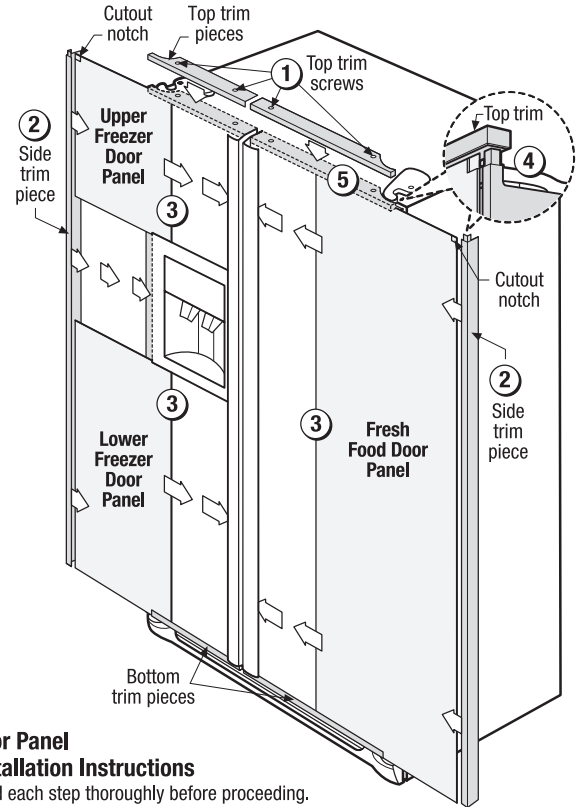
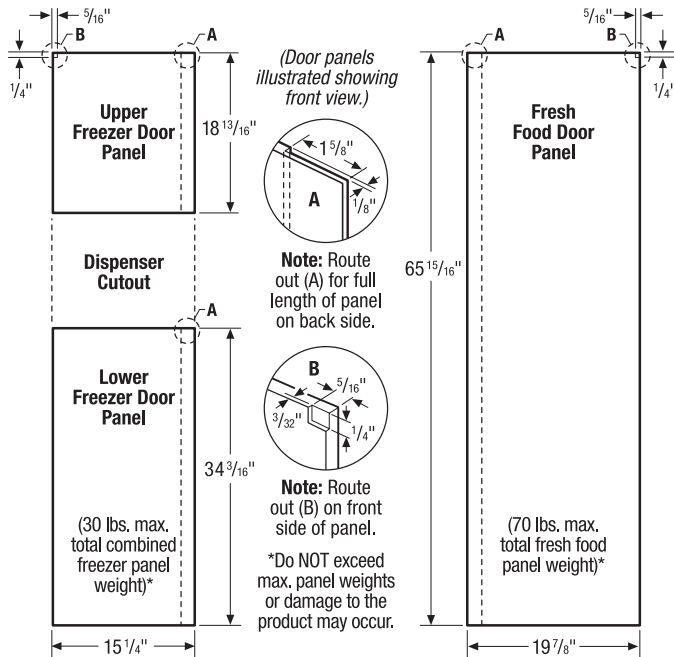
These instructions provide all necessary procedures required to install optional Door Panel Kit or custom-built door panels on Panel Kit-Ready Frigidaire® Counter-Depth Refrigerator model FGTC2349KS.

Door Panel Kit: Available in Stainless Steel (PN# PK23CDS).
(For complete installation details, refer to instructions included with kit.)

Custom-Built Door Panels: Order your own custom-built door panels to match cabinetry or decor. Custom cabinet builders, or local cabinet shops, may fabricate decorative door panels. (For complete construction and installation details, refer to instructions below.)

Custom-Built Door Panel Specifications

To obtain proper fit when building custom door panels, 1/4"-thick panels will fit door frames with no special preparation; panels less than 1/4" will require a spacer be inserted behind door panel to total 1/4"; panels thicker than 1/4" will require edges be routed down to equal 1/4".



Door Panel Installation Instructions

Read each step thoroughly before proceeding.

Tools: #2 Phillips Screwdriver

Step 1 – Loosen top trim on freezer and fresh food doors.

Step 2 – Remove side trim.

Swing bottom of side trim outward away from door to break magnetic attachment. Lower side trim to pull free of top trim.

Step 3 – Insert panels.

Remove protective film from panels before insertion.

Upper Freezer Panel and Fresh Food Panel – Cutout notch in panel is positioned to upper outside of door. Lift top trim up 1/4" and carefully push upper freezer panel in until it slides into slot behind door handle.

Lower Freezer Panel – Carefully push panel in until it slides into slot behind door handle.

Step 4 – Install side trim.

Slip upper front corner of side trim under top trim and swing into position. Make sure trim seats behind panel and in front of Ice & Water dispenser. Magnetic attraction will hold trim in place.

Step 5 – Tighten screws on top trim.

Door Panel Installation Specifications

- Panel Kit-Ready Frigidaire® Counter-Depth Refrigerator model FGTC2349KS is designed with removable door trim which requires installation of either optional Door Panel Kit or custom-built door panels. (For details, refer to Door Panel Installation of choice on this page.)
- For detailed refrigerator installation, refer to model-specific product page and installation guide on web.

Door Panel Kit Installation

- Door Panel Kit (PN# PK23CDS) is an optional accessory which includes one fresh food and two freezer stainless steel door panels plus three matching spacer panels, all pre-cut for proper installation.
- For complete door panel installation, refer to detailed instructions included with kit.

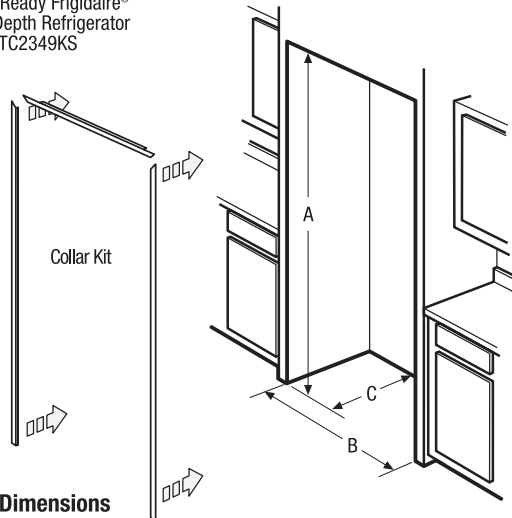
Custom-Built Door Panel Installation

- Custom door panels can be built to match cabinetry or decor. To achieve custom installation, refer to detailed Custom-Built Door Panel Specifications and Door Panel Installation instructions provided above.
- When building custom door panels, 1/4"-thick panels will fit door frames with no special preparation; panels less than 1/4" will require a spacer be inserted behind door panel to total 1/4"; panels thicker than 1/4" will require edges be routed down to equal 1/4".
- Do not exceed maximum panel weights recommended or damage to product may occur. Combined weight of freezer panels should be 30 lbs. max. and fresh food panel weight should be 70 lbs. max.

Collar Kit (CK23CDS)

Kit includes: Side/top trim pieces and corner gussets with screws.

For installation on:
Panel Kit-Ready Frigidaire®
Counter-Depth Refrigerator
model FGTC2349KS

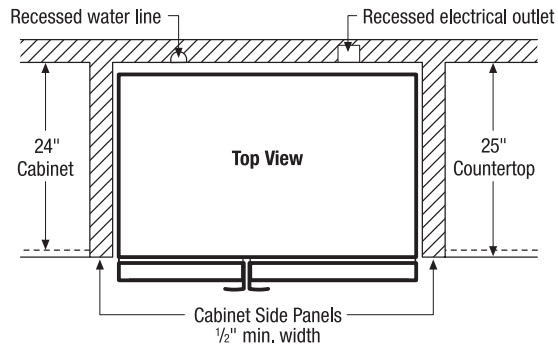
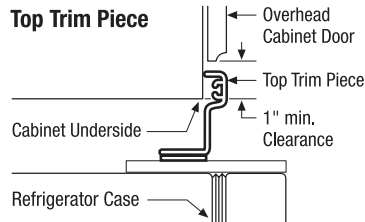
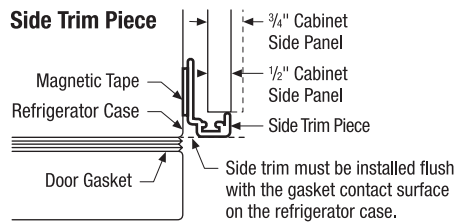
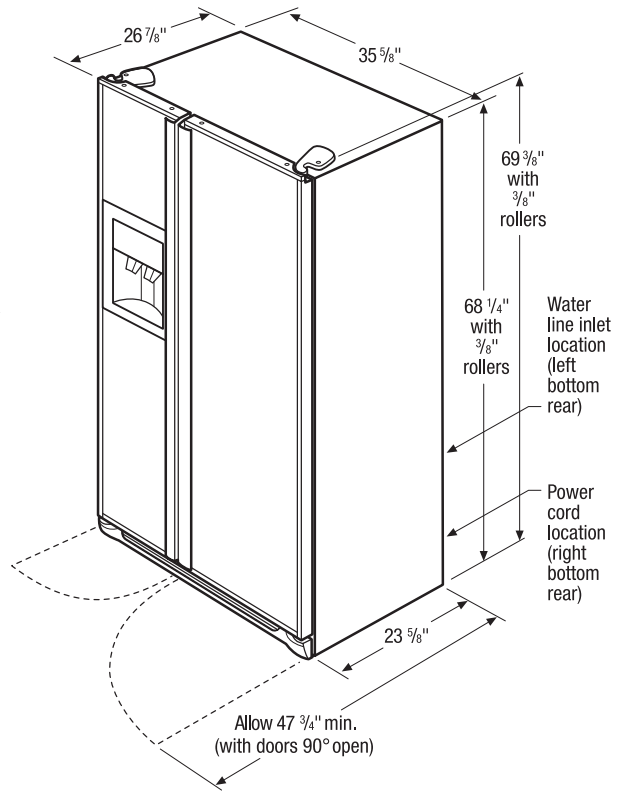


Cutout Dimensions

(A) 70 1/4" (B) 36 1/8"
(C) 24 1/2" min.*

*Minimum depth from face of cabinet side panels and requires recessed electrical outlet and water line.

Note: Refer to detailed Collar Kit (CK23CDS) Installation instructions included with kit or on web.



Collar Kit (CK23CDS) Installation Specifications

- Collar Kit (PN# CK23CDS) is designed to complete "Built-In Look" when installed on Panel Kit-Ready Frigidaire® Counter-Depth Refrigerator model FGTC2349KS.
- To use Collar Kit (PN# CK23CDS), an enclosure is required around Counter-Depth Refrigerator having an opening of 70-1/4" H x 36-1/8" W with minimum cabinet side panels of 24-1/2" D x 1/2" W.
- Minimum 24-1/2" depth requires recessed electrical outlet and water line.
- Add maximum of 1/4" to 70-1/4" opening height when installed with frameless-style overhead cabinets, for door opening clearance.
- Cabinet or soffit above unit must extend out to same depth as side panels.

- To provide additional clearance for overhead cabinet doors when in open position, allow 1" from underside of cabinet to bottom of cabinet door.
- A minimum width of 36-1/8" is required for refrigerator installation with an additional 1/2" or 3/4" added for each side panel.
- If 1/2" side panels are used, then side trim piece and panel will be even. If 3/4" side panels are used, then 1/4" of side panel will extend beyond collar trim and must be finished.
- For detailed refrigerator installation, refer to model-specific product page and installation guide on web.

Note: For planning purposes only. Refer to Product Installation Guide on the web at frigidaire.com for detailed instructions.