



Microwaves

FGMV205K F/W/B

30" Over-The-Range



Product Dimensions

| | |
|--------|-----------|
| Height | 17-1/16" |
| Width | 29-15/16" |
| Depth | 16-3/4" |

More Easy-To-Use Features

Real Stainless Steel¹

Real stainless steel with a protective coating that reduces fingerprints and smudges so it's easy to clean.

One-Touch Keep Warm Setting

Just one touch of a button keeps food warm until everything—and everyone—is ready.

Sensor Cooking

Microwave automatically adjusts power levels and cooking times to perfectly cook a variety of items, effortlessly.

Available in:



¹Select models only.

Signature Features



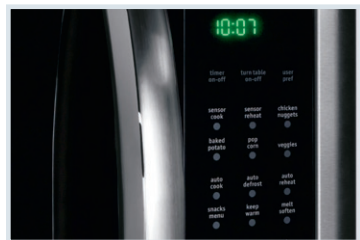
Effortless™ Reheat

Reheat almost anything with the touch of a button.



SpaceWise® Rack

Our SpaceWise® Rack creates more room so you can cook multiple dishes at once.



Over 40 Options

Versatile settings include: Chicken nuggets, soften ice cream, melt butter and multiple snack options.

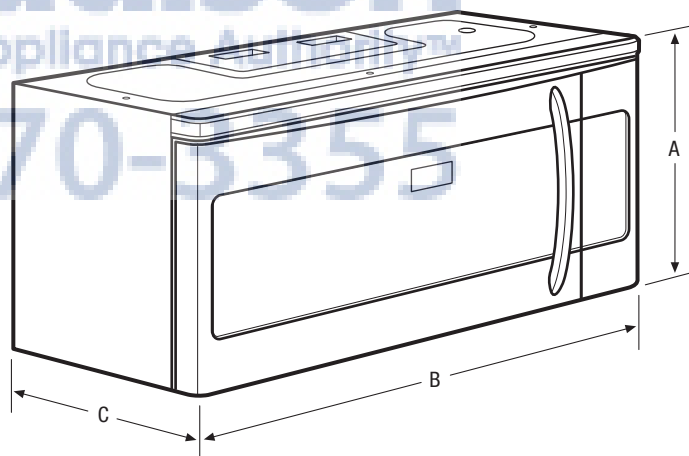


One-Touch Options

Our microwaves feature easy-to-use one-touch buttons so you can cook chicken nuggets, baked potatoes or popcorn with the touch of a button.

AjMadison
Your Appliance Authority™
800-570-3355

| Features | |
|---|---|
| Control/ Timing System | Express-Select® |
| Exterior Door Finish | Real Stainless Steel (F), Color-Coordinated (W/B) |
| Handle Design | Stainless Steel (F), Color-Coordinated (W/B) |
| Microwave Capacity (Cu.Ft.) | 2.0 |
| Convection | |
| Watts (IEC-705 Test Procedure) | 1,000 |
| Interior Light | Yes |
| Interior Color | White |
| Turntable Diameter | 14" |
| Turntable On/Off | Yes |
| Control Lock | Yes |
| Clock | Yes |
| Touch Pad Buttons | 30 |
| Power Levels | High (1-9) |
| Accessory Metal Rack | Yes (1) |
| Microwave Control Options | |
| Popcorn Button | Yes |
| Chicken Nugget Button | Yes |
| Baked Potato Button | Yes |
| Sensor Reheat Button | Yes |
| Snack Button | Yes |
| Beverage | Yes |
| Melt & Soften Options | 4 |
| Auto Reheat Options | 4 |
| Snack Menu Options | 6 |
| Auto Cook Options | 9 |
| Auto Defrost Options | 6 |
| Multi-Stage Cooking Option | Yes |
| Keep Warm | Yes |
| Add-30-Seconds | Yes |
| Sensor Cooking Options | 5 |
| Vegetable Cook Sensor | Yes |
| Delay Start | |
| User Preferences | Yes |
| Ventilation System | |
| Ducted/Ductless Installation Option | Yes |
| Exhaust Fan (CFM) | 2-Speed 150/350 |
| Cooktop Light | 2 |
| Auto-Start Heat Sensor | Yes |
| Dishwasher-Safe Vent Filter (Ductless Installation) | Yes |
| Power Ratings | |
| Frequency (MHz) | 2,450 |
| Watts @ 120 Volts | 1,650 |
| Amps @ 120 Volts | 14.3 |
| Optional Accessories | |
| 36" Stainless Steel Filler Panel Kit | PN# MWFILKTSS |
| 36" White Filler Panel Kit | PN# MWFILKTWH |
| 36" Black Filler Panel Kit | PN# MWFILKTBK |
| Specifications | |
| Oven Interior (HxWxD) | 10-1/16" x 22-17/32" x 14-31/32" |
| Power Supply Connection Location | Right Top Rear |
| Voltage Rating | 120V / 60Hz / 15A |
| Connected Load (kW Rating) @ 120 Volts ¹ | 1.65 |
| Minimum Circuit Required (Amps) | 15 |
| Shipping Weight (Approx.) | 69 Lbs. |



NOTE: For planning purposes only. Always consult local and national electric codes. Refer to Product Installation Guide for detailed installation instructions on the web at frigidaire.com.



| Product Dimensions | |
|--------------------|-----------|
| A - Height | 17-1/16" |
| B - Width | 29-15/16" |
| C - Depth | 16-3/4" |

| Cutout Dimensions | |
|---|-----|
| Height (Min. from floor to top of unit) | 66" |
| Width (Min.) | 30" |
| Depth (Min.) | 12" |
| Depth (Max.) | 13" |

¹For use on adequately wired 120V, dedicated circuit having 2-wire service with a separate ground wire. Appliance must be grounded for safe operation.

Accessories information available on the web at frigidaire.com

FRIGIDAIRE

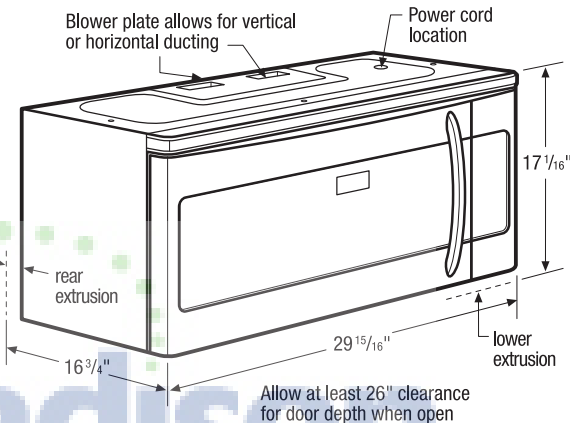
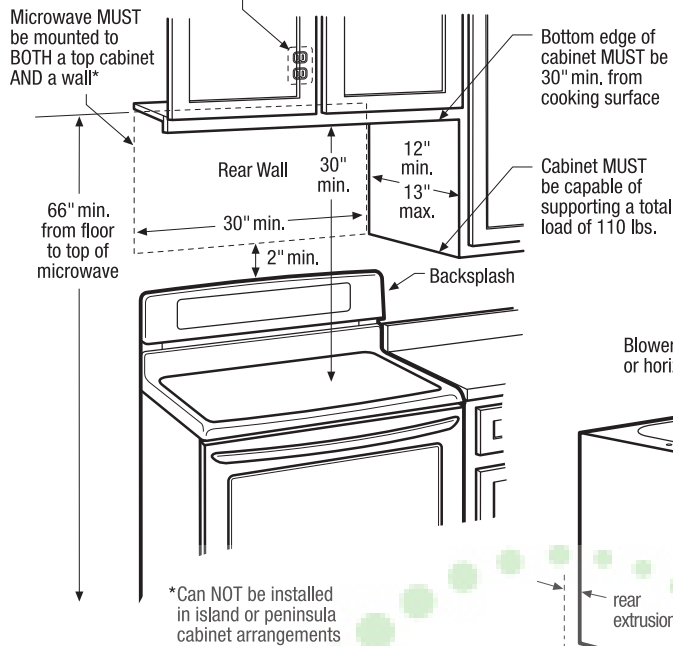
USA • 10200 David Taylor Drive • Charlotte, NC 28262 • 1-800-FRIGIDAIRE • frigidaire.com
CANADA • 5855 Terry Fox Way • Mississauga, ON L5V 3E4 • 1-800-265-8352 • frigidaire.ca

FGMV205K 08/11

© 2011 Electrolux Home Products, Inc.

Specifications subject to change. Printed in the U.S.A.

Locate 120V/60Hz grounded outlet inside upper cabinet



Microwave Specifications

- Product Shipping Weight (approx.) - 69 Lbs.
- Voltage Rating - 120V/60 Hz/15 Amps
- Connected Load (kW Rating) @ 120 Volts = 1.65kW
(For use on adequately wired 120V, dedicated circuit having 2-wire service with a separate ground wire. Appliance must be grounded for safe operation.)
- Amps @ 120 Volts = 14.3 Amps
- Always consult local and national electric codes.
- Grounded outlet should be located in cabinet above, with hole in base to route power cord. Carefully follow top template instructions for power cord clearance when installing beneath smooth, flat cabinets.
- Microwave's exhaust ventilation system is preset to recirculate air inside with no ducting system required. Exhausting air outside is optional, using either vertical or horizontal ducting system. (Refer to Ducted Option Specifications for outside ventilation.)
- For safe and proper installation, microwave MUST be mounted to BOTH a top cabinet AND a wall, and connected to at least one wall stud. Can NOT be installed in island or peninsula cabinet arrangements.
- Cabinet bottom MUST be level to insure proper installation.
- Cabinet MUST be capable of supporting a total load of 110 lbs.
- Filler blocks recommended for installation when cabinet front hangs below recessed bottom shelf.
- Minimum distance of 30" required from cooking surface to bottom edge of top cabinet.
- Minimum distance of 66" required from floor to top of microwave.
- Opening between cabinets MUST be 30" wide and free of obstructions. For openings up to 36" wide, order optional 36" Filler Panel Kit to fill in gap between unit and cabinets.
- Allow 26" minimum clearance for 90° door swing.

Ducted Option Specifications

- For outside ventilation.
- Exhaust duct adapter will be needed for outside ventilation, to mate with standard 3-1/4" x 10" rectangular duct. If round duct required, rectangular-to-round transition adapter will be needed with no less than 6" diameter.
- For most efficient airflow exhaust, use a straight run or as few elbows as possible with a maximum duct length of 3-1/4" x 10" rectangular or 6" diameter round duct, not to exceed 140 equivalent feet.
- For horizontal installation, be sure to allow enough space between wall studs to accommodate exhaust.
- Refer to installation instructions on web for detailed duct preparation and converting exhaust vent blower system for exterior exhaust ventilation.

Note: For planning purposes only. Refer to Product Installation Guide on the web at frigidaire.com for detailed instructions.

Optional Accessories

- 36" Stainless Steel Filler Panel Kit - (PN# MWFILKTSS).
- 36" White Filler Panel Kit - (PN# MWFILKTWH).
- 36" Black Filler Panel Kit - (PN# MWFILKTBK).

FRIGIDAIRE

USA • 10200 David Taylor Drive • Charlotte, NC 28262 • 1-800-FRIGIDAIRE • frigidaire.com
CANADA • 5855 Terry Fox Way • Mississauga, ON L5V 3E4 • 1-800-265-8352 • frigidaire.ca

FGMV205K 08/11

© 2011 Electrolux Home Products, Inc.

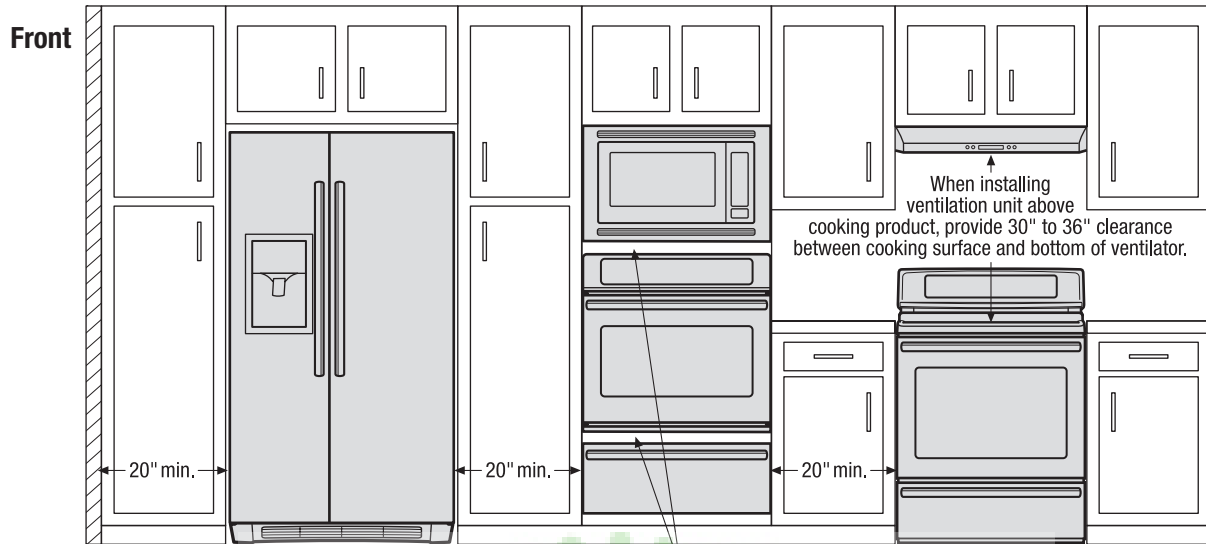
Accessories information available
on the web at frigidaire.com



Specifications
subject to change.

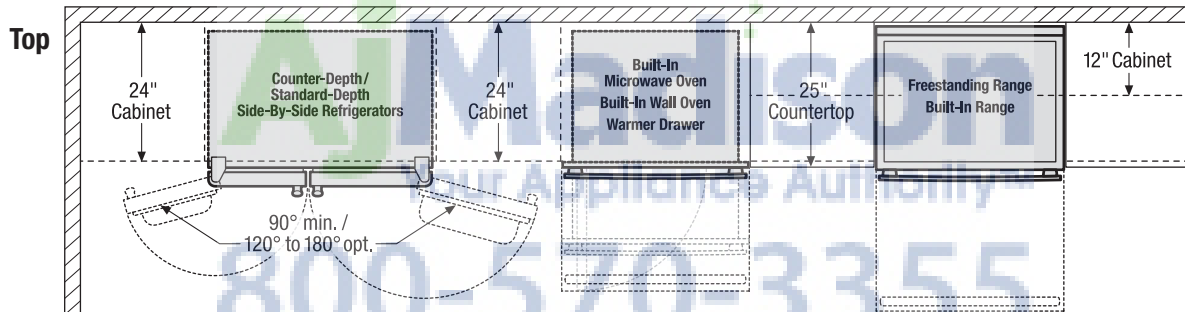
Printed in the U.S.A.

Use these dimensions and clearance instructions for planning purposes only. For detailed installation instructions, refer to installation guide, packed with product, or on the web at frigidaire.com.



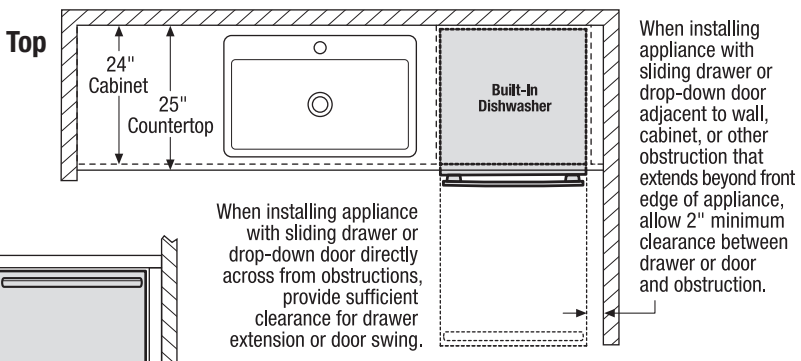
When installing appliances adjacent to each other, 20" minimum distance between each appliance required.

When installing built-in cooking appliances in combination, 2" minimum visible gap between appliance faceplates required.

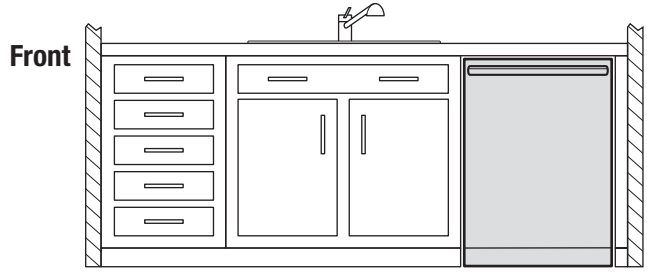


When installing side-by-side refrigerator adjacent to wall, cabinet or another appliance that extends beyond front edge of unit, 20" minimum clearance recommended to allow for optimum 120° to 180° door swing, providing complete drawer/crisper access and removal.

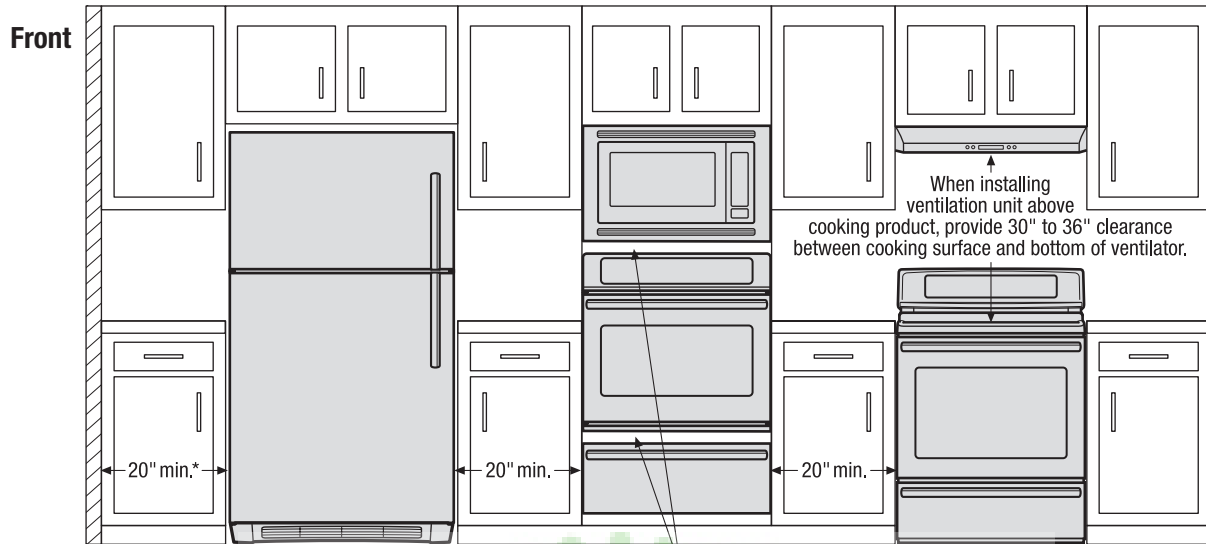
When installing appliance with sliding drawer, swinging or drop-down door directly across from obstructions, provide sufficient clearance for drawer extension or door swings.



When installing appliance with sliding drawer or drop-down door directly across from obstructions, provide sufficient clearance for drawer extension or door swing.

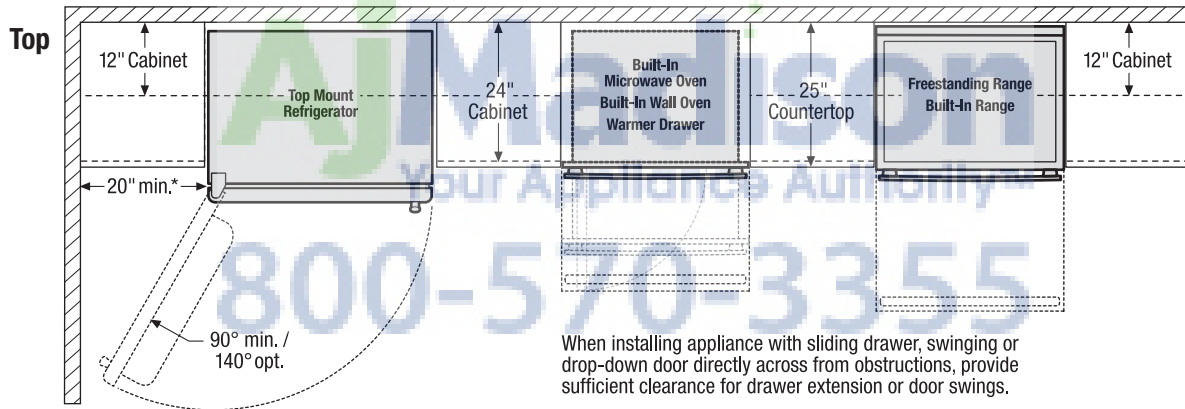


Use these dimensions and clearance instructions for planning purposes only. For detailed installation instructions, refer to installation guide, packed with product, or on the web at frigidaire.com.



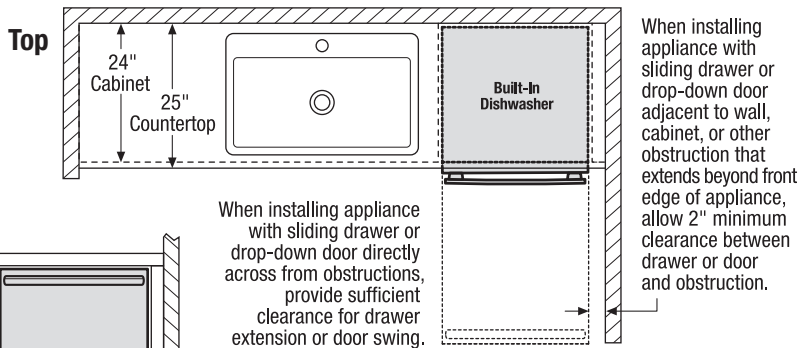
When installing appliances adjacent to each other, 20" minimum distance between each appliance required.

When installing built-in cooking appliances in combination, 2" minimum visible gap between appliance faceplates required.



When installing appliance with sliding drawer, swinging or drop-down door directly across from obstructions, provide sufficient clearance for drawer extension or door swings.

*When installing refrigerator adjacent to wall, cabinet or other appliance that extends beyond front edge of unit, 20" minimum clearance recommended to allow for optimum 140° door swing, providing complete crisper access and removal. (Absolute 3" minimum clearance will ONLY allow for 90° door swing which will provide limited crisper access with restricted removal.)



When installing appliance with sliding drawer or drop-down door directly across from obstructions, provide sufficient clearance for drawer extension or door swing.

When installing appliance with sliding drawer or drop-down door adjacent to wall, cabinet, or other obstruction that extends beyond front edge of appliance, allow 2" minimum clearance between drawer or door and obstruction.

