

# FRIGIDAIRE

GALLERY®



## Microwave Combination Oven

FGMC3065K W/B

30" Electric



### Signature Features



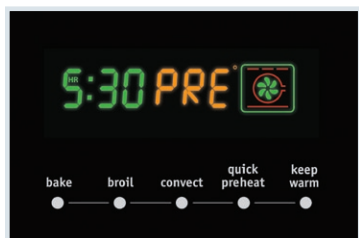
#### Fits-More™ Microwave

Extra-large microwave provides 2.0 cubic feet of cooking space.



#### Effortless™ Reheat

Reheat almost anything at the touch of a button.



#### Quick Preheat

Preheat in less than six minutes.<sup>1</sup>



#### True Convection

Multi-rack baking is faster and more even with True Convection.

### MICROWAVE

#### Performance-Driven Style

Sensor Cooking  
3 Auto Cook Options  
7 User Preference Options  
Side Controls  
1,200 Watts

#### More Easy-To-Use Features

Keep Warm Setting  
Auto-Start Heat Sensor  
2-Level Light (Hi/Low)  
16" Glass Turntable

#### One-Touch Options

Add-30-Seconds  
Chicken Nuggets  
Pizza Slice  
Baked Potato  
Beverage

#### Capacity

2.0 Cu. Ft. Capacity

### WALL OVEN

#### Powerful Performance

Effortless™ Convection Conversion  
Quick Clean Options  
Power Broil (4,000W)

#### Performance-Driven Style

Express-Select™ Controls  
Even Baking Technology

#### SpaceWise™ Design

SpaceWise™ Half Rack

#### One-Touch Options

Keep Warm  
Chicken Nuggets  
Pizza  
Add-a-Minute

#### More Easy-To-Use Features

Hidden Bake  
Extra-Large Window

Sabbath Mode (Star-K® Certified)

#### Capacity

4.2 Cu. Ft. Oven Capacity

#### Overall Exterior Dimensions

Height	42-3/4"
Width	30"
Depth	24-1/2"

#### Available in:



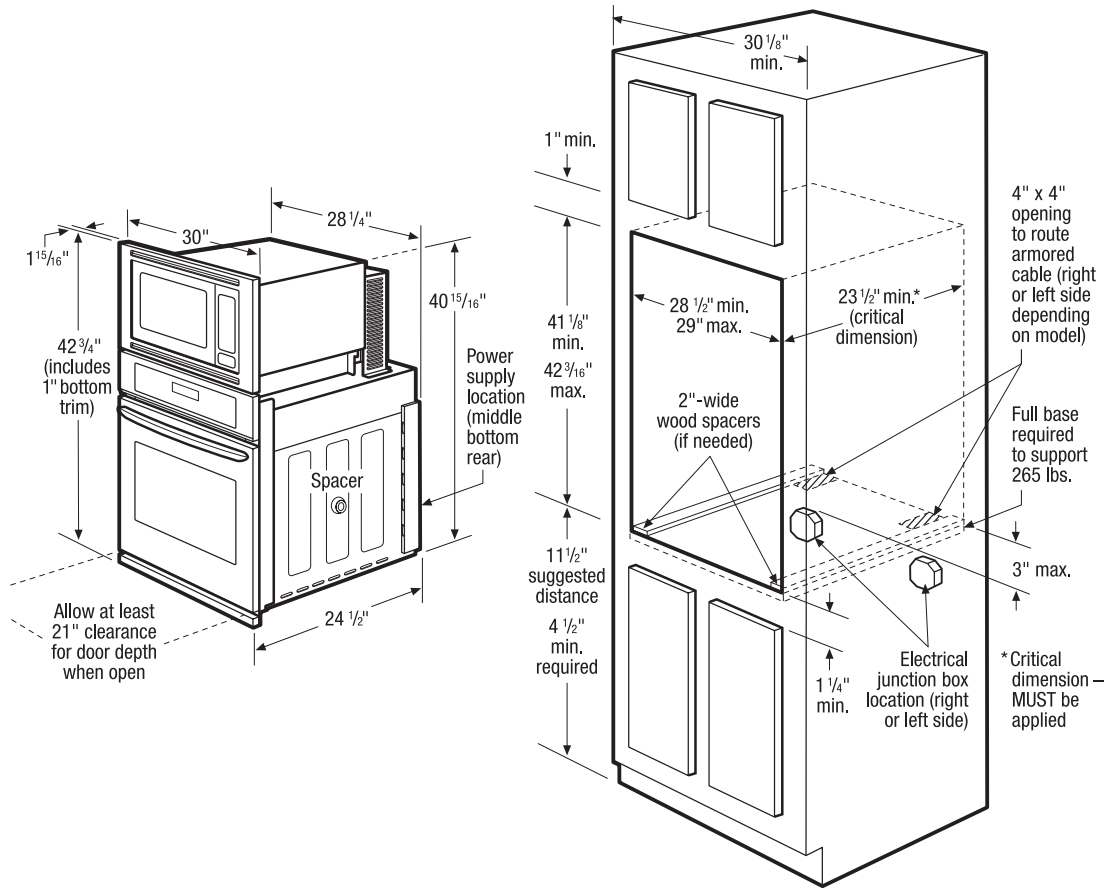
White  
(W)



Black  
(B)

<sup>1</sup>Based on single rack cooking performance, not set temperature, using Quick Preheat.

frigidaire.com



### Microwave Combination Oven Specifications

- Product Shipping Weight (approx.) - 250 Lbs.
- Single phase 3- or 4-wire cable, 120/240 or 120/208 Volt, 60 Hertz AC only electrical supply with ground required on separate circuit fused on both sides of line.
- Connected Load (kW Rating) @ 240/208 Volts = 7.4/5.6 kW
- Amps @ 240/208 Volts = 31/27 Amps
- Recommended Circuit Breaker - 30 Amps
- Always consult local and national electric codes.
- Minimum 21" clearance for oven door depth when open.
- Suggested distance from floor is 11-1/2". Minimum required distance is 4-1/2".
- To adapt Microwave Combination Oven to fit cutout height greater than 41-11/16", add one 2"-wide wood shim of appropriate height to each side of opening under oven side rails. Lifting oven will hide larger cutout opening at top and oven's 1"-high bottom trim will hide shims at bottom. (Standard 1"-High Bottom Trim included.)

- To adapt Microwave Combination Oven to fit cutout height greater than 42-3/16", optional 3"-High Bottom Trim available.
- Minimum 23-1/2" deep cutout dimension is critical for proper installation, to ensure that oven's faceplate will fit flush against cabinet front.
- Full oven base of solid plywood or similar material required, capable of supporting 265 Lbs.
- Base must be level and cabinet front must be square.
- Microwave Combination Ovens are NOT approved to be used in stackable or side-by-side installation.

**Note:** For planning purposes only. Refer to Product Installation Guide on the web at [frigidaire.com](http://frigidaire.com) for detailed instructions.

### Optional Accessories

- 3"-High White Bottom Trim - (PN# 318258703).
- 3"-High Black Bottom Trim - (PN# 318258704).