



Freestanding Range

FGGF305MK F

30" Gas



Signature Features



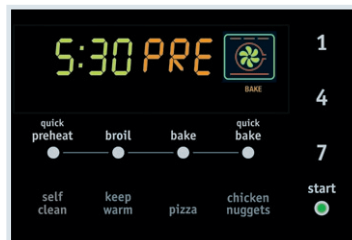
SpaceWise™ Lower Oven

This range features a .5 cu. ft. SpaceWise™ Lower Oven that gives you more space to cook multiple dishes at the same time.



Quick Boil

Boil water faster with our 17,000-BTU burner.



Quick Preheat

Preheat in less than six minutes.¹



Express-Select™ Controls

Easily go from warm to boil.

Effortless Performance

- Quick Bake Convection
- Auto Shut-Off
- Even Broil
- Quick Clean Option

Performance-Driven Style

- Effortless™ Oven Rack
- Real Stainless Steel
- Low-Simmer Burner (5,000 - 500 BTU)
- Continuous Cast Iron Grates with Black Matte Finish
- Even Baking Technology
- Center Oval Burner (9,500 BTU)

SpaceWise™ Design

- SpaceWise™ Half Rack
- Fits-More™ Cooktop
- Cast Iron Griddle
- SpaceWise™ Lower Oven
 - Auto Shut-Off
 - Temperature Range 140° - 450°
 - Oven Light

One-Touch Options

- Chicken Nuggets
- Pizza
- Keep Warm
- Add-a-Minute
- One-Touch Self Clean

More Easy-To-Use Features

- Delay Start
- Extra-Large Window

Sabbath Mode (Star-K® Certified)

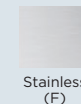
Capacities

- 5.0 Cu. Ft. Main Oven Capacity
- 0.5 Cu. Ft. Lower Oven Capacity

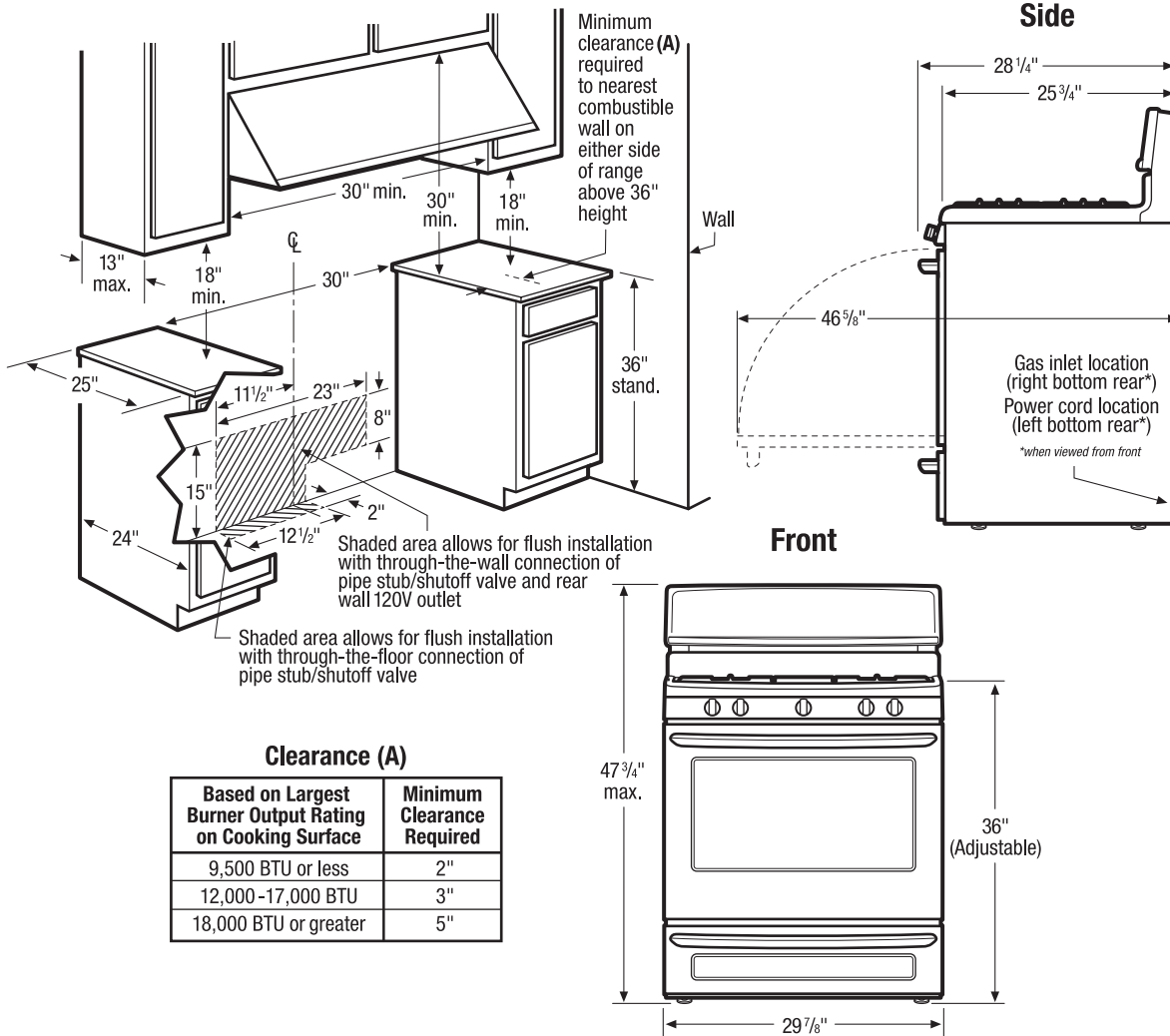
Product Dimensions

Height	47"
Width	29-7/8"
Depth	28-1/4"

Available in:



¹Based on single rack cooking performance, not set temperature, using Quick Preheat.



Clearance (A)

Based on Largest Burner Output Rating on Cooking Surface	Minimum Clearance Required
9,500 BTU or less	2"
12,000 -17,000 BTU	3"
18,000 BTU or greater	5"

Freestanding Range Specifications

- Product Shipping Weight (approx.) - 220 Lbs.
- Voltage Rating - 120V / 60 Hz / 15 Amps
- Connected Load (kW Rating) @ 120 Volts = 1.8kW (For use on adequately wired 120V, dedicated circuit having 2-wire service with a separate ground wire. Appliance must be grounded for safe operation.)
- Amps @ 120 Volts = 15 Amps
- Always consult local and national electric and gas codes.
- Range ships with 3/4" factory regulator.
- Range is NOT LP Gas convertible (*Natural Gas only*).
- Floor beneath range MUST be solid and level.
- Overhead cabinetry should not exceed a 13" maximum depth.
- Absolute minimum horizontal distance between overhead cabinets installed to either side of appliance must be no less than maximum width of appliance.

- Range can be installed flush to wall with 0" minimum rear clearance.
- Minimum clearance required (*from edge of rangetop to nearest combustible wall on either side of range above 36" height*) is based on largest burner output rating on cooking surface.
- To reduce risk of fire when using overhead cabinetry, install range hood that projects horizontally a recommended minimum of 5" beyond bottom of cabinets.
- Follow all dimension requirements provided to prevent property damage, potential fire hazard, and incorrect countertop and cabinet cuts.

Note: For planning purposes only. Refer to Product Installation Guide on the web at frigidaire.com for detailed instructions.

