

# FRIGIDAIRE

GALLERY



## Freestanding Range

FGGF3041K F

30" Gas



### Effortless Performance

- Auto Shut-Off
- One-Touch Self Clean Option
- Quick Clean Option
- Broil Option

### Performance-Driven Style

- Continuous Cast Iron Grates with Black Matte Finish
- Even Baking Technology
- Center Burner (9,500 BTU)

### SpaceWise™ Design

- Fits-More™ Cooktop

### More Easy-To-Use Features

- Delay Start
- Extra-Large Window
- Storage Drawer

### Capacities

- 5.0 Cu. Ft. Oven Capacity

### Overall Exterior Dimensions

Height	47"
Width	29-7/8"
Depth	28-1/4"

### Available in:



Stainless  
(F)

### Signature Features



#### Quick Boil

Boil water faster with our 17,000-BTU burner.



#### Express-Select™ Controls

Easily go from warm to boil with just a touch.



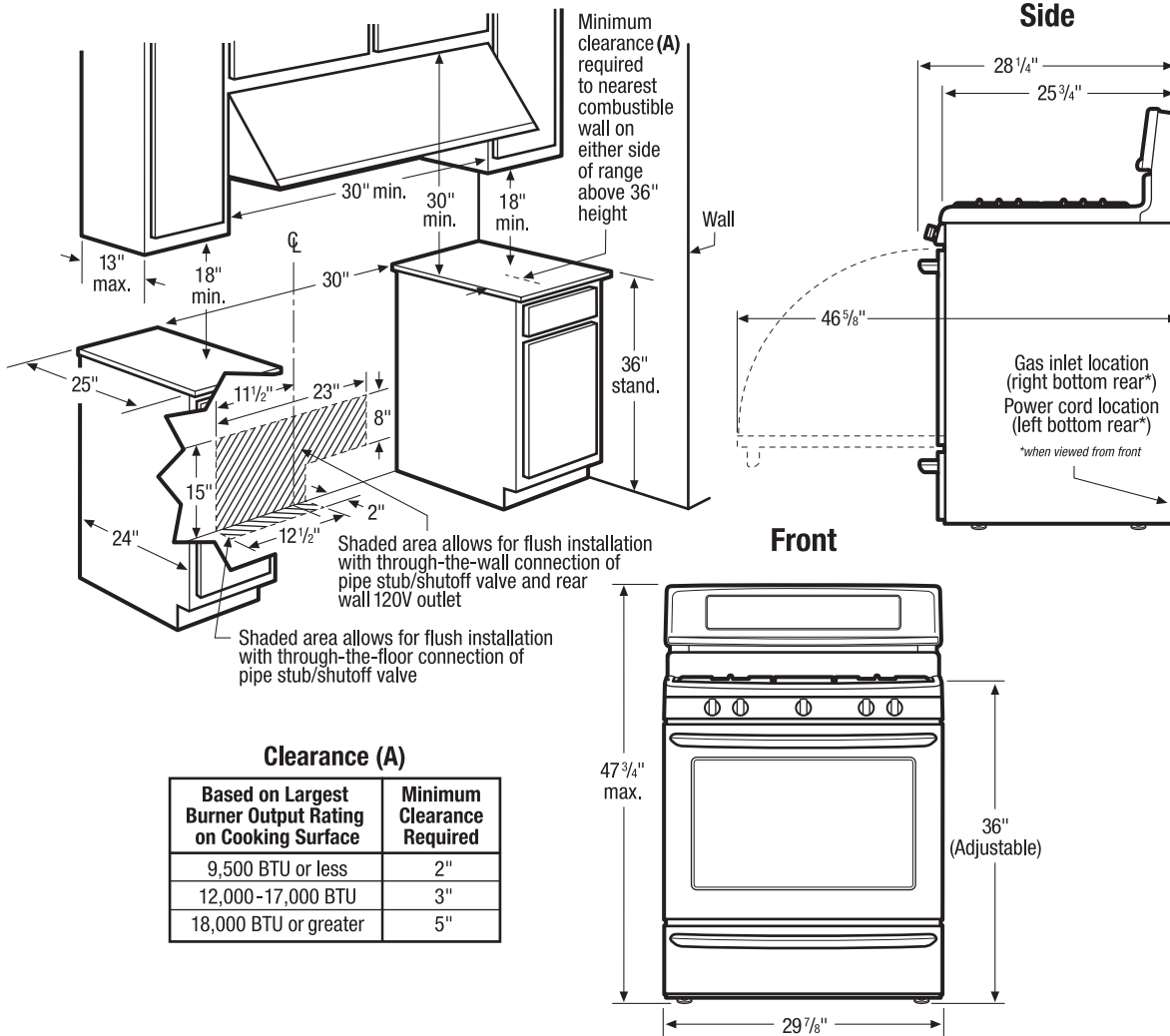
#### Real Stainless Steel

Real stainless steel with a protective coating that reduces fingerprints and smudges so it's easy to clean.



#### Low Simmer Burner

Perfect for delicate foods and sauces.



**Freestanding Range Specifications**

- Product Shipping Weight (approx.) - 210 Lbs.
- Voltage Rating - 120V / 60 Hz / 15 Amps
- Connected Load (kW Rating) @ 120 Volts = 1.8kW (For use on adequately wired 120V, dedicated circuit having 2-wire service with a separate ground wire. Appliance must be grounded for safe operation.)
- Amps @ 120 Volts = 15 Amps
- Always consult local and national electric and gas codes.
- Range ships with 3/4" factory regulator.
- Range is LP Gas convertible. (Optional LP Gas conversion kit available.)
- Floor beneath range MUST be solid and level.
- Overhead cabinetry should not exceed a 13" maximum depth.
- Absolute minimum horizontal distance between overhead cabinets installed to either side of appliance must be no less than maximum width of appliance.

- Range can be installed flush to wall with 0" minimum rear clearance.
- Minimum clearance required (from edge of rangetop to nearest combustible wall on either side of range above 36" height) is based on largest burner output rating on cooking surface.
- To reduce risk of fire when using overhead cabinetry, install range hood that projects horizontally a recommended minimum of 5" beyond bottom of cabinets.
- Follow all dimension requirements provided to prevent property damage, potential fire hazard, and incorrect countertop and cabinet cuts.

**Note: For planning purposes only. Refer to Product Installation Guide on the web at [frigidaire.com](http://frigidaire.com) for detailed instructions.**

**Optional Accessories**

- LP Gas Conversion Kit - (PN # GRLP3)

