

FRIGIDAIRE

GALLERY



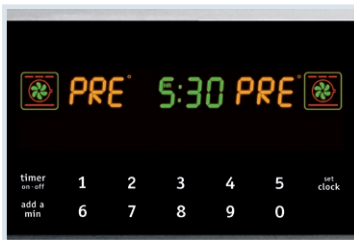
Double Wall Ovens

FGET3065K F/W/B

30" Electric



Signature Features



Quick Preheat

Preheat in less than six minutes.¹



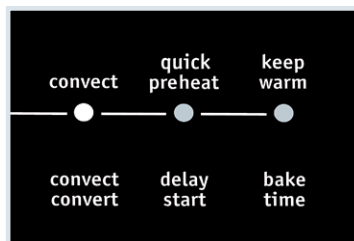
True Convection

Multi-rack baking is faster and more even with True Convection.



Express-Select™ Controls

Easily set cooking temperature or choose one-touch cooking options.



Keep Warm Setting

Keep food warm until everything — and everyone — is ready.

Powerful Performance

Effortless™ Convection Conversion
Quick Clean Option
Power Broil (4,000W)

Performance-Driven Style

Real Stainless Steel
Even Baking Technology

SpaceWise™ Design

SpaceWise™ Half Rack

One-Touch Options

Keep Warm
Chicken Nuggets
Pizza
Add-a-Minute

More Easy-To-Use Features

Hidden Bake
Extra-Large Windows

Sabbath Mode (Star-K® Certified)

Capacities

4.2 Cu. Ft. Upper Oven Capacity
4.2 Cu. Ft. Lower Oven Capacity

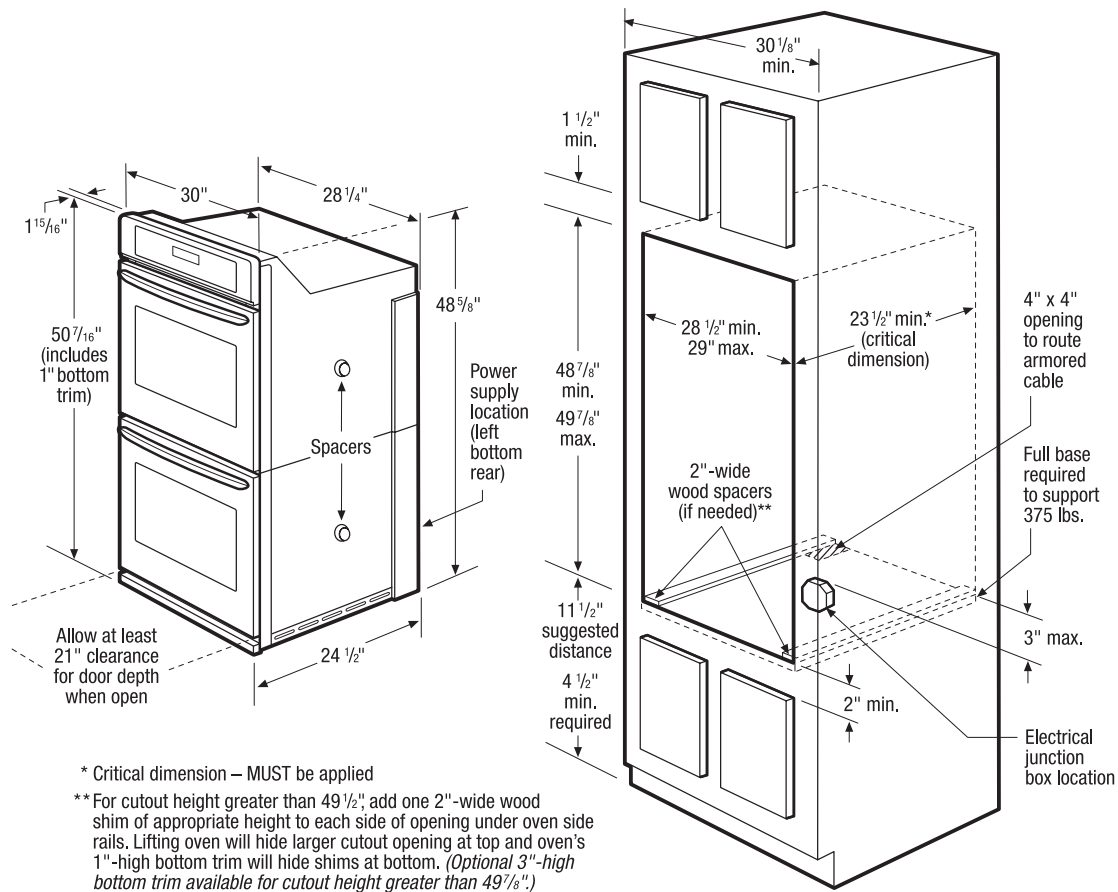
Overall Exterior Dimensions

Height 50-7/16"
Width 30"
Depth 24-1/2"

Available in:



¹Based on single rack cooking performance, not set temperature, using Quick Preheat.



Double Wall Oven Specifications

- Product Shipping Weight (approx.) – 300 Lbs.
- Single phase 3- or 4-wire cable, 120/240 or 120/208 Volt, 60 Hertz AC only electrical supply with ground required on separate circuit fused on both sides of line.
- Connected Load (kW Rating) @ 240/208 Volts = 9.4/7.1kW
- Amps @ 240/208 Volts = 39.0/34.0 Amps
- Recommended Circuit Breaker – 40 Amps
- Always consult local and national electric codes.
- Minimum 21" clearance for oven door depth when open.
- Suggested distance from floor is 11-1/2". Minimum required distance is 4-1/2".
- Minimum 23-1/2" deep cutout dimension is critical for proper installation, to ensure that oven's faceplate will fit flush against cabinet front.
- To adapt oven to fit cutout height greater than 49-1/2", add one 2"-wide wood shim of appropriate height to each side of opening under oven side rails. Lifting oven will hide larger cutout opening at top and oven's 1"-high bottom trim will hide shims at bottom. (Standard 1"-High Bottom Trim included.)

- To adapt oven to fit cutout height greater than 49-7/8", optional 3"-High Bottom Trim available.
- Full oven base of solid plywood or similar material required, capable of supporting 375 Lbs.
- Base must be level and cabinet front must be square.
- Double Wall Ovens are NOT approved to be used in stackable or side-by-side installation.

Note: For planning purposes only. Refer to Product Installation Guide on the web at frigidaire.com for detailed instructions.

Optional Accessories

- 3"-High Stainless Steel Bottom Trim – (PN# 318258707).
- 3"-High White Bottom Trim – (PN# 318258703).
- 3"-High Black Bottom Trim – (PN# 318258704).