

FRIGIDAIRE

GALLERY®



Freestanding Ranges

FGEF3055M F/W/B

30" Electric



Product Dimensions

Height (Max.)	47-1/2"
Width	29-7/8"
Depth (Including Handle)	28-1/2"

More Easy-To-Use Features

Quick Boil

Boils water faster.

Express-Select® Controls

Easily go from warm to boil.

Pizza Button

Easily bake perfect pizza with the touch of a button.

SpaceWise® Half Rack

Flexible rack system that adjusts to cook multiple dishes at once. Remove the half rack and you'll have extra height for tall dishes.

One-Touch Keep Warm Setting

Just one touch of a button keeps food warm until everything—and everyone—is ready.

Effortless™ Oven Rack

Bottom rack extends when you open the door for easy access.

Real Stainless Steel²

Real stainless steel with a protective coating that reduces fingerprints and smudges so it's easy to clean.

Sabbath Mode (Star-K® Certified)

Available in:



Elements	Size	Watts
Right Front	9" /12" Expandable	1,700 /2,700
Right Rear	6"	1,200
Left Front	6" /9" Expandable	1,600 /3,000
Left Rear	6"	1,200
Center	Keep Warm Zone	100

¹Based on single rack cooking performance, not set temperature, using Quick Preheat.

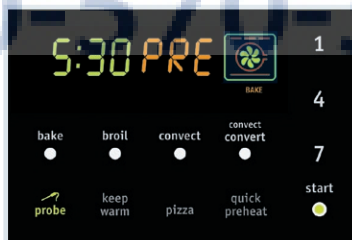
²Select model only.

Signature Features



Fits-More™ Oven

A unique rack configuration creates more cooking space.



Quick Preheat

Preheat in less than six minutes!¹



True Convection

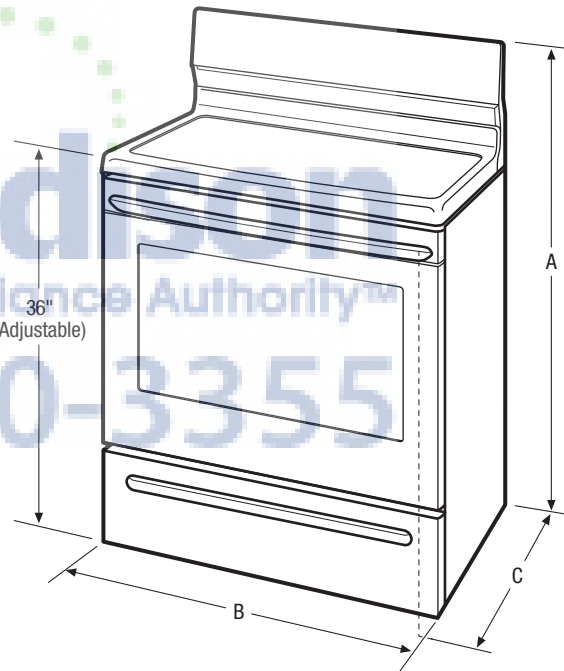
Multi-rack baking is faster and more even with True Convection.



Effortless™ Temp Probe with Auto Keep Warm

The Effortless™ Temperature Probe allows you to set the desired finished temperature and alerts you when that temperature has been reached. At that point, the oven holds the desired temperature of the meat by moving to a Keep Warm function for better cooking results.

Features	
Oven Control/Timing System	Express-Select® Controls
Surface Type	Black Ceramic Glass
Window	Wide-View
Exterior Door Finish	Real Stainless Steel (F), Color-Coordinated (W/B)
Handle Design	Stainless Steel (F), Color-Coordinated (W/B)
Exterior Finish (Side Panels)	Black (F), Color-C. (W/B)
Convection System	True Convection
Oven Cleaning System	Self Clean
Drawer Functionality	Storage
Oven Controls	
Bake/Broil	Yes/Variable (400 - 500 °F)
Effortless™ Convection Conversion	Yes
Convection Bake/Broil/Roast	Yes/Yes/Yes
Quick Bake Convection	
Quick Preheat	Yes
My Favorite	
Effortless™ Temp Probe	Yes
Pizza Button	Yes
Keep Warm	Yes
Add-a-Minute	Yes
Delay Start	Yes
Self Clean	Yes
Quick Clean Option	
Delay Clean	2, 3, 4 Hours
Kitchen Timer/Timed Cook Option	Yes/Yes
Auto Oven Shut-Off	6 Hours
Lower Drawer Control	
Cooktop Features	
Right Front Element (Watts)	SpaceWise® Expandable 9"/12" - 1,700/2,700
Right Rear Element (Watts)	6" - 1,200
Left Front Element (Watts)	SpaceWise® Expandable 6"/9" - 1,600/3,000
Left Rear Element (Watts)	6" - 1,200
Bridge Element (Watts)	
Center Element (Watts)	Keep Warm Zone - 100
Oven Features	
Capacity (Cu.Ft.)	5.8
Oven Light	1
Hidden Bake Element	Yes
Rack Configuration	1 Heavy-Duty, 1 SpaceWise® Half Rack, 1 Effortless™
Baking System	Even Baking Technology
Broiling System	Power Broil
Bake Element/Broil Element (Watts)	3,500/3,900
Drawer Racks	
Certifications	
Sabbath Mode (Star-K® Cert.)	Yes
Specifications	
Oven Interior (H x W x D)	
Power Supply Connection Location	Middle Bottom Rear
Voltage Rating	240V/208V/60Hz
Connected Load (kW Rating) @ 240/208 Volts	12.5/9.5
Minimum Circuit Required (Amps)	40
Shipping Weight (Approx.)	205 Lbs.



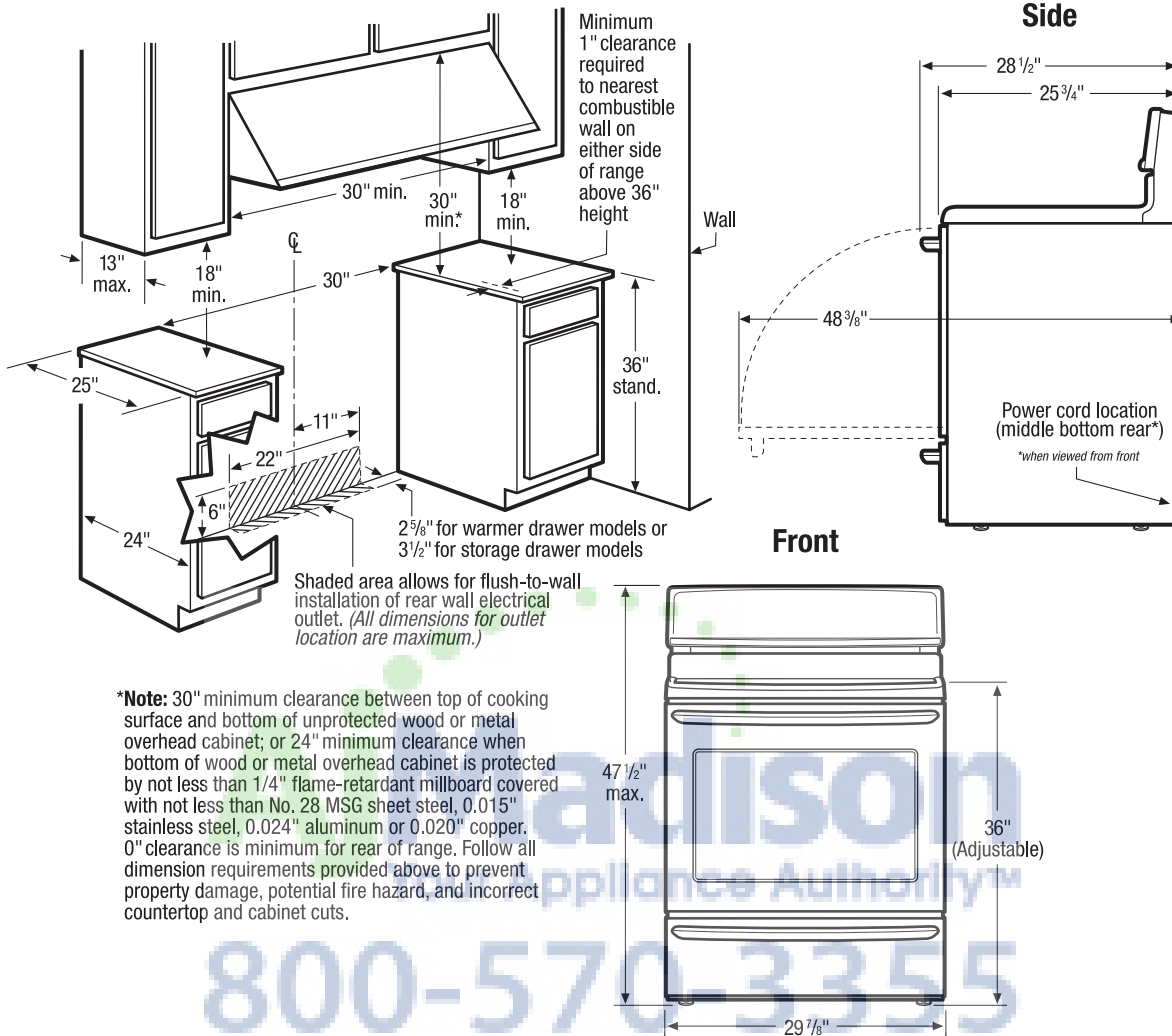
NOTE: For planning purposes only. Always consult local and national electric codes. Refer to Product Installation Guide for detailed installation instructions on the web at frigidaire.com.



Product Dimensions	
A - Height (Max.)	47-1/2"
B - Width	29-7/8"
C - Depth (Including Handle)	28-1/2"
Depth with Door Open 90°	48-3/8"

Cutout Dimensions	
Height (Standard)	36"
Width (Min.)	30"
Depth (Min.)	24"

Accessories information available on the web at frigidaire.com



Freestanding Range Specifications

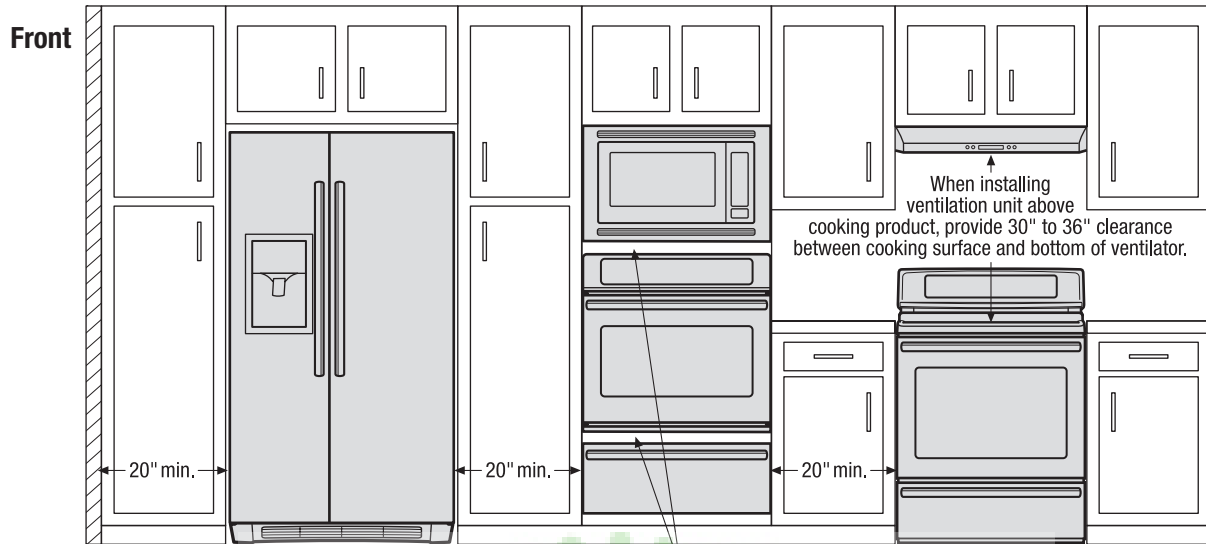
- Product Shipping Weight (approx.) - 205 Lbs.
- Single phase 3- or 4-wire cable, 120/240 or 120/208 Volt, 60 Hertz, fused on both sides of line with ground.
- Connected Load (kW Rating) @ 240/208 Volts = 12.5/9.5kW
- Recommended Circuit Breaker - 40 Amps
- Always consult local and national electric codes.
- Make sure wall coverings around range can withstand heat generated by range.
- Floor beneath range MUST be solid and level.
- Overhead cabinetry should not exceed a 13" maximum depth.
- Absolute minimum horizontal distance between overhead cabinets installed to either side of appliance must be no less than maximum width of appliance.
- Range can be installed flush to wall with 0" minimum rear clearance.
- Minimum 1" clearance required from edge of rangetop to nearest combustible wall on either side of range above 36" height.

- Allow 30" minimum clearance between top of cooking surface and bottom of unprotected wood or metal overhead cabinet; or 24" minimum clearance when bottom of wood or metal overhead cabinet is protected by not less than 1/4" flame retardant millboard covered with not less than No. 28 MSG sheet steel, 0.015" stainless steel, 0.024" aluminum or 0.020" copper.
- To reduce risk of fire when using overhead cabinetry, install range hood that projects horizontally a recommended minimum of 5" beyond bottom of cabinets.
- Follow all dimension requirements provided to prevent property damage, potential fire hazard, and incorrect countertop and cabinet cuts.

Note: For planning purposes only. Refer to Product Installation Guide on the web at frigidaire.com for detailed instructions.

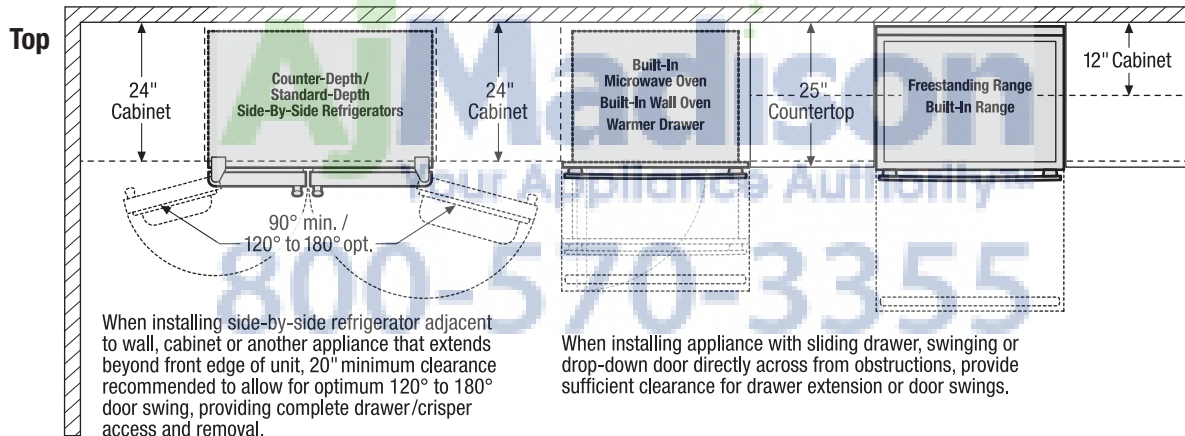


Use these dimensions and clearance instructions for planning purposes only. For detailed installation instructions, refer to installation guide, packed with product, or on the web at frigidaire.com.



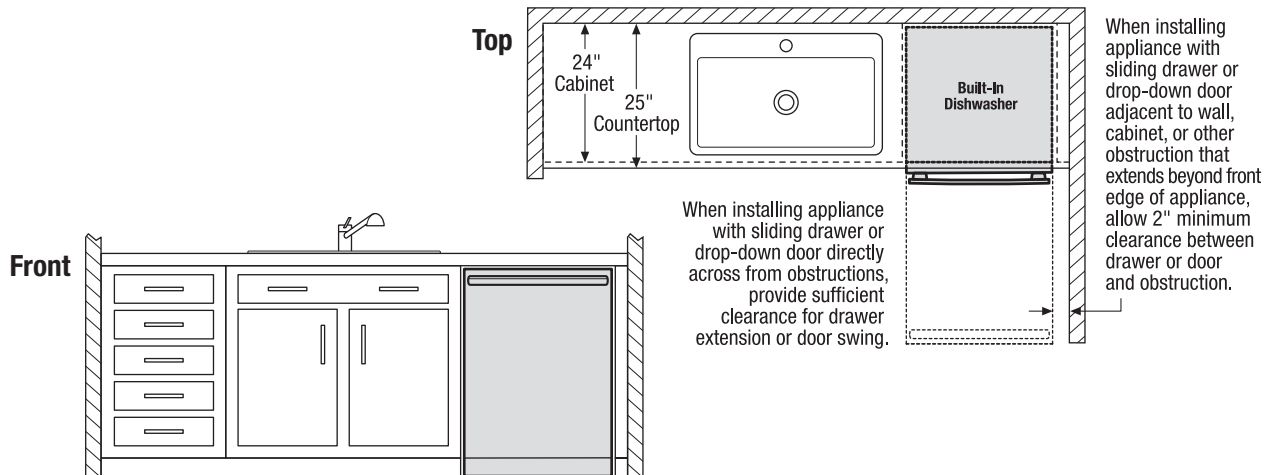
When installing appliances adjacent to each other, 20" minimum distance between each appliance required.

When installing built-in cooking appliances in combination, 2" minimum visible gap between appliance faceplates required.



When installing side-by-side refrigerator adjacent to wall, cabinet or another appliance that extends beyond front edge of unit, 20" minimum clearance recommended to allow for optimum 120° to 180° door swing, providing complete drawer/crisper access and removal.

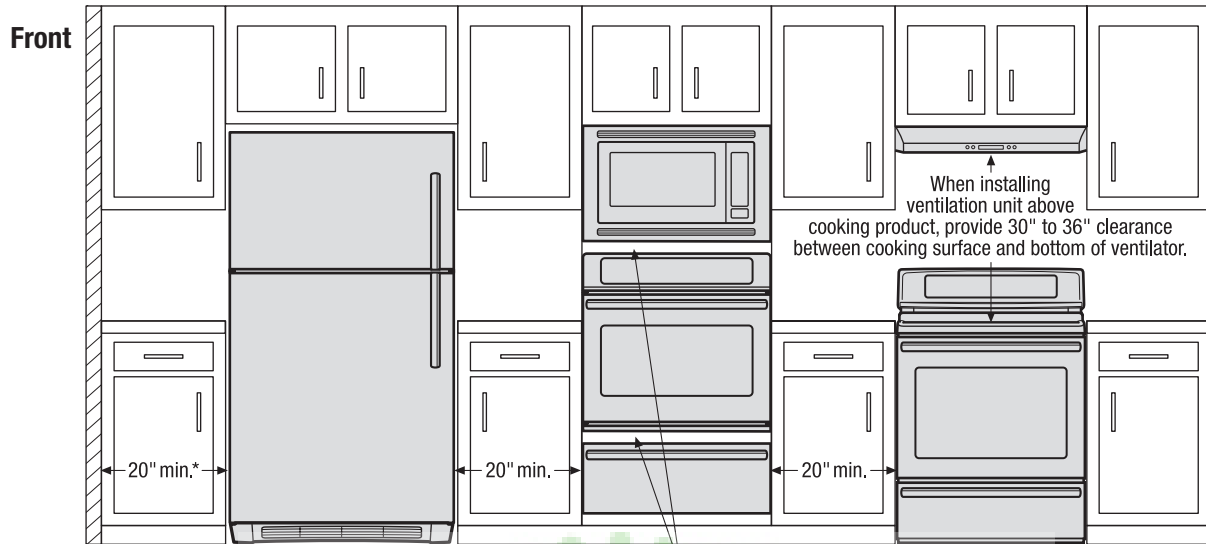
When installing appliance with sliding drawer, swinging or drop-down door directly across from obstructions, provide sufficient clearance for drawer extension or door swings.



When installing appliance with sliding drawer or drop-down door directly across from obstructions, provide sufficient clearance for drawer extension or door swing.

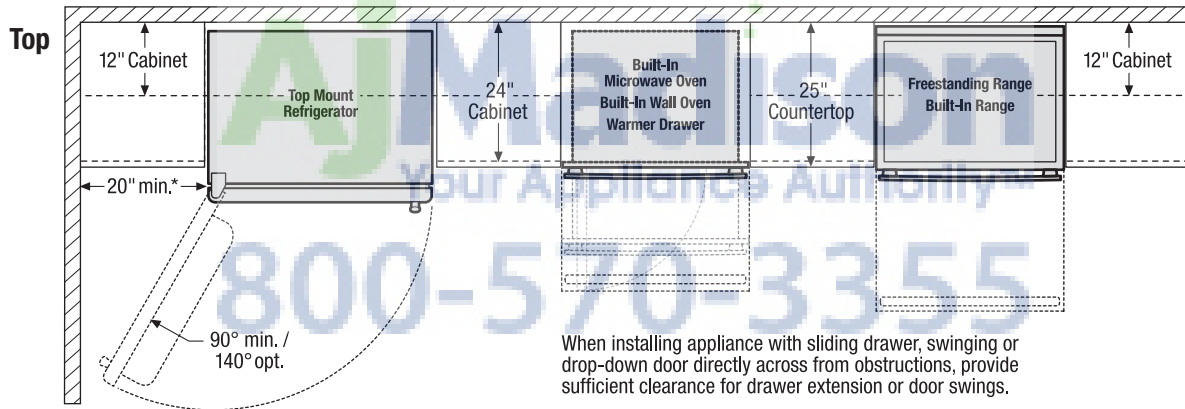
When installing appliance with sliding drawer or drop-down door adjacent to wall, cabinet, or other obstruction that extends beyond front edge of appliance, allow 2" minimum clearance between drawer or door and obstruction.

Use these dimensions and clearance instructions for planning purposes only. For detailed installation instructions, refer to installation guide, packed with product, or on the web at frigidaire.com.



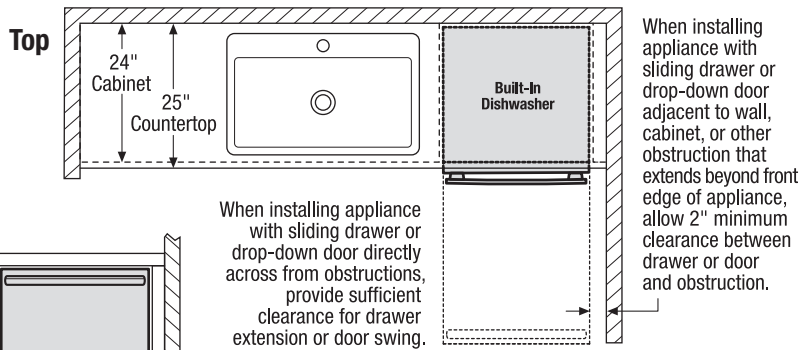
When installing appliances adjacent to each other, 20" minimum distance between each appliance required.

When installing built-in cooking appliances in combination, 2" minimum visible gap between appliance faceplates required.



*When installing refrigerator adjacent to wall, cabinet or other appliance that extends beyond front edge of unit, 20" minimum clearance recommended to allow for optimum 140° door swing, providing complete crisper access and removal. (Absolute 3" minimum clearance will ONLY allow for 90° door swing which will provide limited crisper access with restricted removal.)

When installing appliance with sliding drawer, swinging or drop-down door directly across from obstructions, provide sufficient clearance for drawer extension or door swings.



When installing appliance with sliding drawer or drop-down door directly across from obstructions, provide sufficient clearance for drawer extension or door swing.

When installing appliance with sliding drawer or drop-down door adjacent to wall, cabinet, or other obstruction that extends beyond front edge of appliance, allow 2" minimum clearance between drawer or door and obstruction.

