



Freestanding Ranges

FGEF304DK F/W/B

30" Electric



Product Dimensions

Height	48" - 49"
Width	29-7/8"
Depth	28-1/4"

More Easy-To-Use Features

Express-Select™ Controls
Easily go from warm to boil.

One-Touch Options
Our ovens feature easy-to-use one-touch buttons so you can cook pizza or chicken nuggets – or even add a minute to the timer – with the touch of a button.

SpaceWise™ Half Rack
Flexible rack system that adjusts to cook multiple dishes at once. Remove the half rack and you'll have extra height for tall dishes.

Fits-More™ Cooktop
The Fits-More™ cooktop features five elements so you can cook more at once.

Effortless™ Oven Rack
Bottom rack extends when you open the door for easy access.

Real Stainless Steel³
Real stainless steel with a protective coating that reduces fingerprints and smudges so it's easy to clean.

Effortless™ Convection
Takes the guesswork out of convection cooking – our oven does the converting for you.

Sabbath Mode (Star-K® Certified)

Available in:



Elements	Size	Watts
Right Front	9" / 12" Expandable	1,700 / 2,700
Right Rear	6"	1,200
Left Front	6" / 9" Expandable	1,600 / 3,000
Left Rear	6"	1,200
Center	Keep Warm Zone	100

Signature Features



Fits-More™ Double Oven Range
A second 2.3 cu. ft. oven gives you more space to cook multiple dishes at the same time.



Quick Preheat
Preheat in less than 6 minutes!



True Convection²
Multi-rack baking is faster and more even with True Convection.



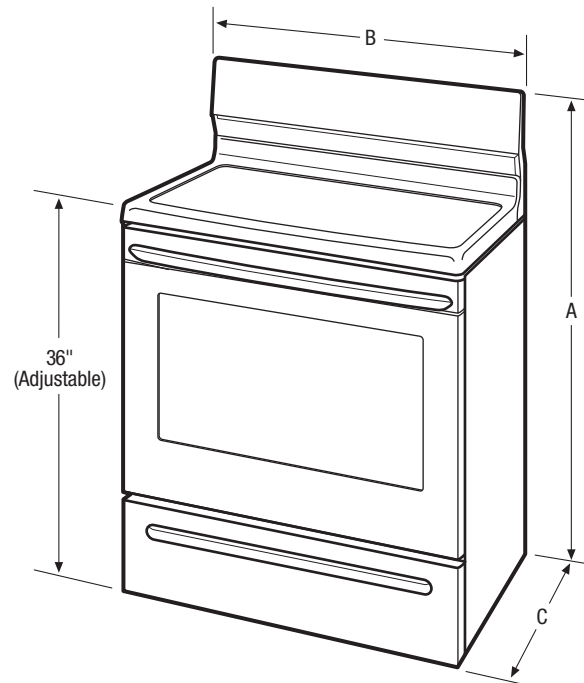
Quick Boil
Boils water faster.

¹Based on single rack cooking performance, not set temperature, using Quick Preheat.

²Main oven only.

³Select model only.

Features	
Oven Control/Timing System	Express-Select™ Controls
Surface Type	Black Ceramic Glass (F), Color-C. Ceramic Gl. (W/B)
Window	Large
Exterior Door Finish	Real Stainless Steel (F), Color-Coordinated (W/B)
Handle Design	Stainless Steel (F), Color-Coordinated (W/B)
Exterior Finish (Side Panels)	Black (F), Color-C. (W/B)
Convection System	True Convection (Main)
Oven Cleaning System	Self Clean
Auxiliary Oven	Fits-More™ Upper Oven
Oven Controls	
Bake/Broil	Yes/Variable (400 - 500 °F)
Effortless™ Convection Conversion	Yes (Main)
Convection Bake/Broil/Roast	Yes/Yes/Yes (Main)
Quick Bake Convection	
Quick Preheat	Yes
My Favorite	
Chicken Nugget Button	Yes
Pizza Button	Yes
Keep Warm	Yes
Add-a-Minute	Yes
Delay Bake	Yes
Self Clean	Yes
Quick Clean Option	2, 3, 4 Hours
Delay Clean	Yes/Yes
Kitchen Timer/Timed Cook Option	6 Hours
Auto Oven Shutoff	Yes
Auxiliary Oven Control	Electronic
Cooktop Features	
Right Front Element (Watts)	SpaceWise™ Expandable 9"/12" - 1,700/2,700
Right Rear Element (Watts)	6" - 1,200
Left Front Element (Watts)	SpaceWise™ Expandable 6"/9" - 1,600/3,000
Left Rear Element (Watts)	6" - 1,200
Bridge Element (Watts)	
Center Element (Watts)	Keep Warm Zone -100
Oven Features	
Main/Auxiliary Capacity (Cu.Ft.)	4.34/2.3
Main/Auxiliary Oven Light	1/1
Hidden Bake Element	Yes
Rack Configuration	1 Heavy-Duty, 1 SpaceWise™ Half Rack, 1 Effortless™
Baking System	Even Baking Technology
Broiling System	Vari-Broil™
Main Bake/Broil Burners (Watts)	2,500/3,400
Auxiliary Bake/Broil Burners (Watts)	2,200/3,000
Auxiliary Oven Racks	1 Heavy-Duty Handle Rack
Certifications	
Sabbath Mode (Star-K® Cert.)	Yes
Specifications	
Main Oven Interior (H x W x D)	16-1/2" x 24-1/8" x 18-7/8"
Auxiliary Oven Interior (H x W x D)	8-3/8" x 24-3/8" x 19-3/8"
Power Supply Connection Location	Left Bottom Rear
Voltage Rating	240V/208V/60Hz
Connected Load (kW Rating) @ 240/208 Volts	15.4/11.6
Minimum Circuit Required (Amps)	40
Shipping Weight (Approx.)	265 Lbs.



NOTE: For planning purposes only. Always consult local and national electric codes. Refer to Product Installation Guide for detailed installation instructions on the web at frigidaire.com.



Product Dimensions	
A - Height	48" - 49"
B - Width	29-7/8"
C - Depth	28-1/4"
Depth with Door Open 90°	46"

Cutout Dimensions	
Height (stand.)	36"
Width (min.)	30"
Depth (min.)	24"

Accessories information available on the web at frigidaire.com

FRIGIDAIRE

USA • 10200 David Taylor Drive • Charlotte, NC 28262 • 1-800-FRIGIDAIRE • frigidaire.com
CANADA • 5855 Terry Fox Way • Mississauga, ON L5V 3E4 • 1-800-265-8352 • frigidaire.ca

FGEF304DK 08/10

© 2010 Electrolux Home Products, Inc.

Specifications subject to change. Printed in the U.S.A.