

# FRIGIDAIRE

GALLERY



## Freestanding Range

FGEF3041K F

30" Electric



### Effortless Performance

Even Baking Technology  
Auto Shut-Off  
Quick Clean Option

### Performance-Driven Style

Fits-More™ Cooktop

### More Easy-To-Use Features

One-Touch Self Clean  
Delay Start  
Smoothtop Ceramic Glass Cooking Surface  
Broil Option (3,600W)  
Hidden Bake Element  
Extra-Large Window  
Storage Drawer

### Capacities

5.4 Cu. Ft. Oven Capacity

### Overall Exterior Dimensions

Height	47"
Width	29-7/8"
Depth	28-1/4"

### Available in:



Stainless  
(F)

### Signature Features



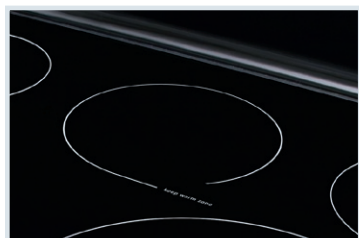
#### Quick Boil

Boil water faster with our 3,000-watt element.



#### Express-Select™ Controls

Easily go from warm to boil.



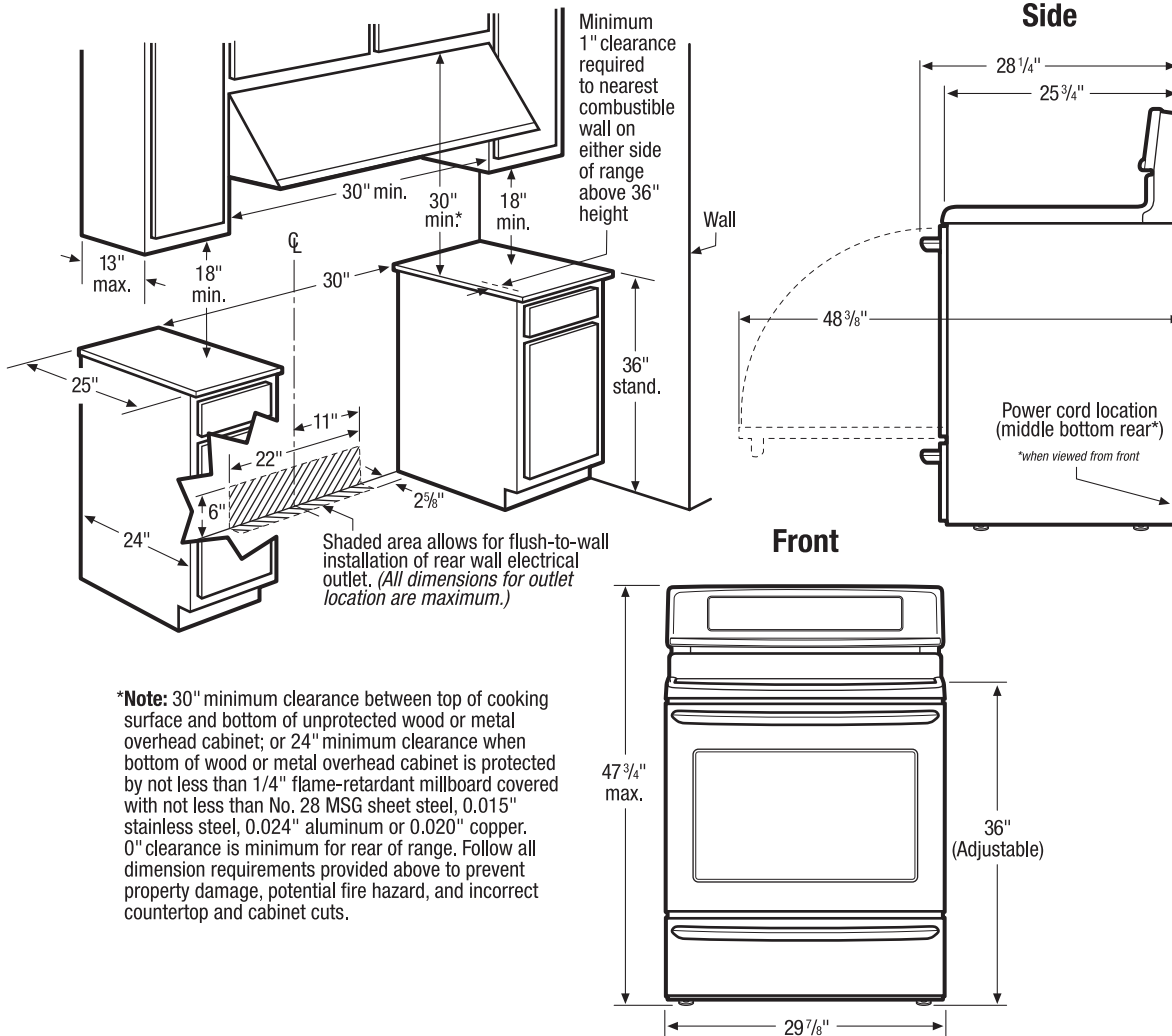
#### Keep Warm Zone

Keep food warm until everything — and everyone — is ready.



#### Real Stainless Steel

Real stainless steel with a protective coating that reduces fingerprints and smudges so it's easy to clean.



**Freestanding Range Specifications**

- Product Shipping Weight (approx.) - 205 Lbs.
- Single phase 3- or 4-wire cable, 120/240 or 120/208 Volt, 60 Hertz, fused on both sides of line with ground.
- Connected Load (kW Rating) @ 240/208 Volts = 12.5/9.5kW
- Recommended Circuit Breaker - 40 Amps
- Always consult local and national electric codes.
- Floor beneath range MUST be solid and level.
- Overhead cabinetry should not exceed a 13" maximum depth.
- Absolute minimum horizontal distance between overhead cabinets installed to either side of appliance must be no less than maximum width of appliance.
- Range can be installed flush to wall with 0" minimum rear clearance.
- Minimum 1" clearance required from edge of rangetop to nearest combustible wall on either side of range above 36" height.

- Allow 30" minimum clearance between top of cooking surface and bottom of unprotected wood or metal overhead cabinet; or 24" minimum clearance when bottom of wood or metal overhead cabinet is protected by not less than 1/4" flame retardant millboard covered with not less than No. 28 MSG sheet steel, 0.015" stainless steel, 0.024" aluminum or 0.020" copper.
- To reduce risk of fire when using overhead cabinetry, install range hood that projects horizontally a recommended minimum of 5" beyond bottom of cabinets.
- Follow all dimension requirements provided to prevent property damage, potential fire hazard, and incorrect countertop and cabinet cuts.

**Note:** For planning purposes only. Refer to Product Installation Guide on the web at [frigidaire.com](http://frigidaire.com) for detailed instructions.

