



Slide-In Range

FGDS3065PF

30" Dual-Fuel



Product Dimensions

Height (Max.)	36-5/8"
Width	30"
Depth	28-5/16"

More Easy-To-Use Features

One-Touch Options

Our ovens feature easy-to-use one touch buttons so you can keep foods warm — with the touch of a button.

Built with American Pride

Appliances that are high-performing, more accessible, and more innovative than ever — designed, built, and engineered in the U.S.A.

Effortless™ Convection

Takes the guesswork out of convection cooking — our oven automatically adjusts standard baking temperatures to convection temperatures for consistent results.

Effortless™ Oven Rack

Bottom rack extends when you open the door for easy access.

Continuous Grates

Continuous Grates make it easy to move heavy pots and pans across burners without lifting.

Dual-Fuel Technology

Features the power of a gas cooktop and the precision of an electric oven for baking, so you get maximum versatility.

A.D.A. Compliant

When properly installed, this model is A.D.A.-qualified based on the United States Access Board's A.D.A./A.B.A. Accessibility Guidelines and the Department of Justice's 2010 A.D.A. Standards for Accessible Design.



Sabbath Mode (Star-K® Certified)

Available in:

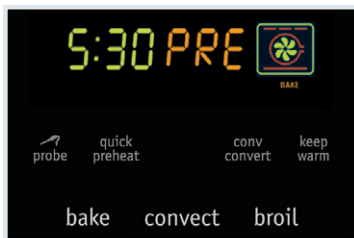


Stainless
(F)

Burners	BTU
Right Front	17,000
Right Rear	5,000
Left Front	9,500
Left Rear	15,000

Based on single rack cooking performance, not set temperature, using Quick Preheat.

Signature Features



Quick Preheat

Preheat in just a few minutes.¹



True Convection

Single convection fan circulates hot air throughout the oven for faster and more even multi-rack baking.



Quick Clean

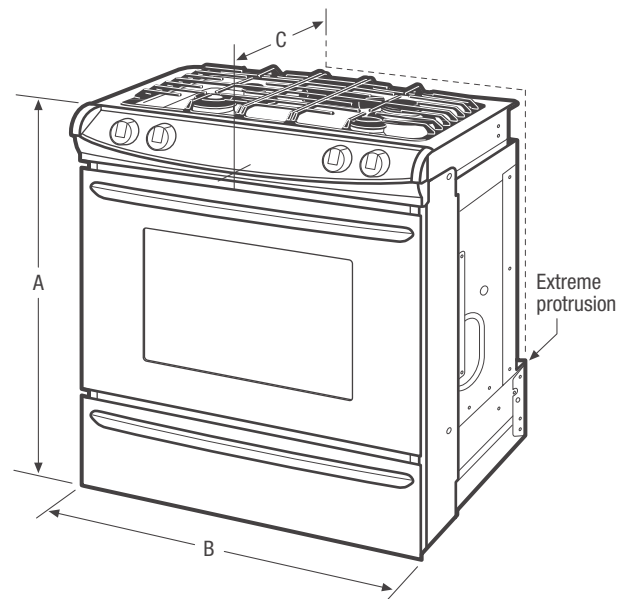
Quickly clean your oven in 2 hours with our quick self-clean cycle.



Smudge-Proof™ Stainless Steel

Resists fingerprints and is easy to clean.

Features	
Oven Control/Timing System	Express-Select®
Surface Type	Black Porcelain
Sealed Gas Burners	Yes
Grates	Continuous Cast Iron w/Black Matte Finish
Window	Extra-Large
Exterior Door Finish	Smudge-Proof™ Stainless Steel
Handle Design	Stainless Steel
Exterior Finish (Side Panels)	Black
Convection System	True Convection
Oven Cleaning System	Self-Clean
Drawer Functionality	Storage
Oven Controls	
Bake/Broil	Yes/Variable (400-550 °F)
Effortless™ Convection Conversion	Yes
Convection Bake/Broil/Roast	Yes/Yes/Yes
Quick Preheat	Yes
My Favorite	
Chicken Nugget Button	
Pizza Button	
Keep Warm	Yes
Add-a-Minute	
Delay Start	Yes
Self Clean / Clean Options	Yes/2, 3, 4 Hours
Steam Clean	Yes
Quick Clean Option	2 Hours
Delay Clean	Yes
Kitchen Timer / Timed Cook Option	Yes/Yes
Auto Oven Shut-Off	6 Hours
Lower Drawer Control	
Cooktop Features	
Right Front Burner (BTU)	17,000
Right Rear Burner (BTU)	5,000
Left Front Burner (BTU)	9,500
Left Rear Burner (BTU)	15,000
Oven Features	
Capacity (Cu. Ft.)	4.6
Oven Light	2
Hidden Bake Element	Yes
Rack Configuration	1 Heavy Duty, 1 Offset, 1 Effortless™
Baking System	Even Baking Technology
Broiling System	Variable
Bake Element / Broil Element (Watts)	2,500 / 3,400
Drawer Rack	
Certifications	
A.D.A. Compliant¹	Yes
Sabbath Mode (Star-K® Certified)	Yes
Specifications	
Oven Interior (H x W x D)	17-1/2" x 24-1/8" x 18-3/4"
Power Supply Connection Location	Left Bottom Rear
Gas Supply Connection Location	Right Bottom Rear
LP Gas Conversion Kit	Included
Voltage Rating	240V / 208V / 60 Hz
Connected Load (kW Rating) @ 240 / 208 Volts	3.7 / 2.8
Amps @ 240 / 208 Volts	15.4 / 13.5
Minimum Circuit Required (Amps)	30
Shipping Weight (Approx.)	250 Lbs.



NOTE: For planning purposes only. Always consult local and national electric and gas codes. Refer to Product Installation Guide for detailed installation instructions on the web at frigidaire.com.



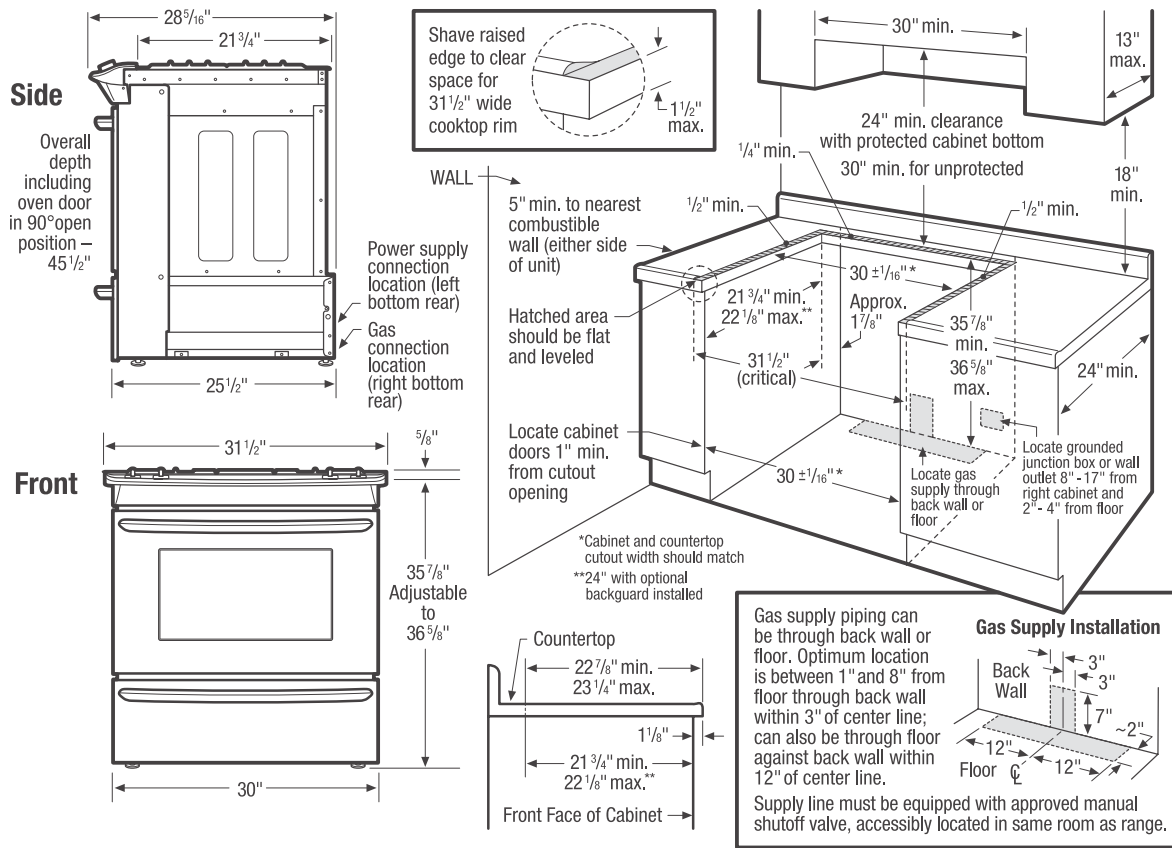
Product Dimensions		Cutout Dimensions	
A-Height (Max.)	36-5/8"	Height (Min.) / (Max.)	35-7/8" / 36-5/8"
B-Width	30"	Width (Min.) / (Max.)*	29-15/16" / 30-1/16"
C-Depth	28-5/16"	Depth (Min.) / (Max.)**	21-3/4" / 22-1/8"
Depth with Door Open 90°	45-1/2"	*Cutout and countertop cutout width should match. **24" with optional backguard installed.	

¹When properly installed, this model is A.D.A.-qualified based on the United States Access Board's A.D.A./A.B.A. Accessibility Guidelines and the Department of Justice's 2010 A.D.A. Standards for Accessible Design.

Accessories information available on the web at frigidaire.com

FRIGIDAIRE

USA • 10200 David Taylor Drive • Charlotte, NC 28262 • 1-800-FRIGIDAIRE • frigidaire.com
CANADA • 5855 Terry Fox Way • Mississauga, ON L5V 3E4 • 1-800-265-8352 • frigidaire.ca



Slide-In Range Specifications

- Product Shipping Weight (approx.) - 250 Lbs.
- Single phase 3- or 4-wire cable, 120/240 or 120/208 Volt, 60 Hertz, fused on both sides of line with ground. (If local code permits, range may be connected by hard-wiring or by means of power supply cord kit.)
- Connected Load (kW Rating) @ 240/208 Volts = 3.7/2.8kW
- Amps @ 240/208 Volts = 15.4/13.5 Amps
- Always consult local and national electric and gas codes.
- Make sure wall coverings around range can withstand heat generated by range.
- Linoleum or any other synthetic floor covering located beneath range, must be capable of withstanding minimum heat of 90°F above room temperature without shrinking, warping or discoloring. Insulating pad or 1/4"-thick plywood required between range and a carpeted floor.
- Do not obstruct flow of combustion air at oven vent nor around base or beneath lower front panel of range. Range requires fresh air for proper burner combustion.
- Range ships with 3/4" factory regulator.
- LP Gas Conversion Kit supplied.
- Gas supply piping can be through back wall or floor. Optimum location is between 1" and 8" from floor through back wall within 3" of center line; can also be through floor against back wall within 12" of center line. Supply line must be equipped with approved manual shutoff valve, accessibly located in same room as range.
- Countertop MUST be level in all directions and adjustable range height at least 1/16" greater than tallest cabinet height, to ensure metal rangetop flange will fit properly on countertop edge.
- When installing optional Backguard Kit, cutout depth of 21-3/4" minimum/22-1/8" maximum needs increased to 24".
- Overhead cabinetry should not exceed a 13" maximum depth.
- Absolute minimum horizontal distance between overhead cabinets installed to either side of appliance must be no less than maximum width of appliance.

- Allow 24" minimum clearance between rangetop and bottom of cabinet when bottom of wood or metal cabinet is protected by not less than 1/4" flame-retardant millboard covered by not less than No. 28 MSG sheet steel, 0.015" stainless steel, 0.024" aluminum or 0.020" copper. Allow 30" minimum clearance when cabinet is unprotected.
- Allow 5" minimum clearance from edge of rangetop to nearest combustible wall on either side of unit.
- To reduce risk of fire when using overhead cabinetry, install range hood that projects horizontally a recommended minimum of 5" beyond bottom of cabinets.

Countertop Preparation

- Rangetop's side flanges overlap countertop cutout edges - for detailed preparation instructions, refer to product installation guide on the web.
- **Flat Square-Finish Countertops** - require no preparation since rangetop's flange lays directly on countertop edge.
 - **Formed Front-Edged Countertops** - require front molded edge to be shaved flat 3/4" from each front corner of opening.
 - **Tile Countertops** - may need trim cut back 3/4" from each front corner of opening and/or rounded edge flattened.
 - For existing cutout width greater than 30-1/16" reduce the 3/4" overlap dimension; for cutout width of 29", replace actual side trim panels with smaller side trim panels, available with optional Side Trim Kit (refer to detailed kit installation instructions).

Note: For planning purposes only. Refer to Product Installation Guide on the web at frigidaire.com for detailed instructions.

Optional Accessories

- Rear Filler Kit: Black - (PN# 901193-9010).
- Side Panel Kit: Black - (PN# AO1529901).
- Backguard Kit: Black - (PN# 903046-9010).



Use these dimensions and clearance instructions for planning purposes only. For detailed installation instructions, refer to installation guide, packed with product, or on the web at frigidaire.com.



*When installing side-by-side refrigerator adjacent to wall, cabinet or another appliance that extends beyond front edge of unit, 20" minimum clearance recommended to allow for optimum 120° to 180° door swing, providing complete drawer/crisper access and removal. (Absolute 4-1/2" minimum clearance will ONLY allow for 90° door swing which will provide limited drawer/crisper access with restricted removal.)

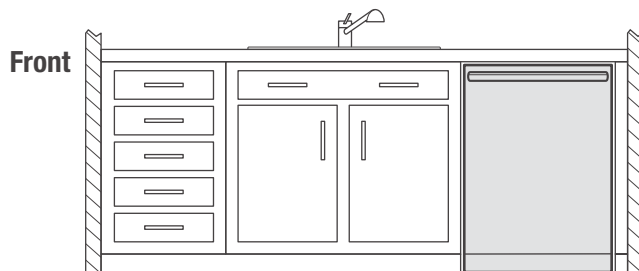
When installing appliance with sliding drawer, swinging or drop-down door directly across from obstructions, provide sufficient clearance for drawer extension or door swings.



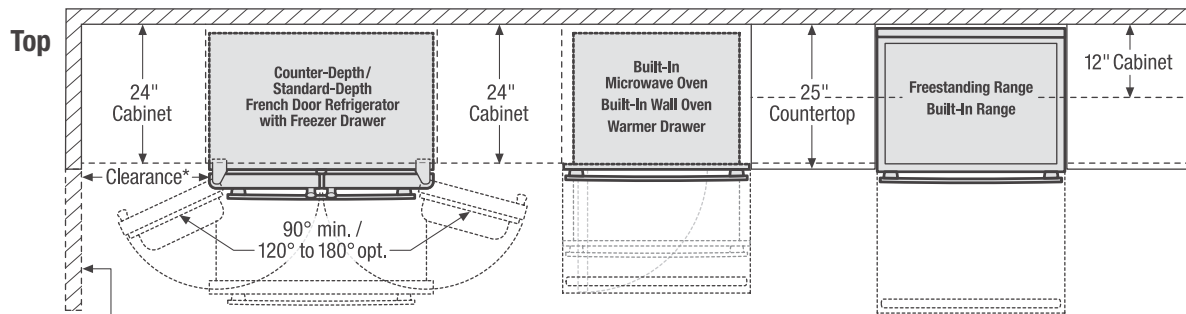
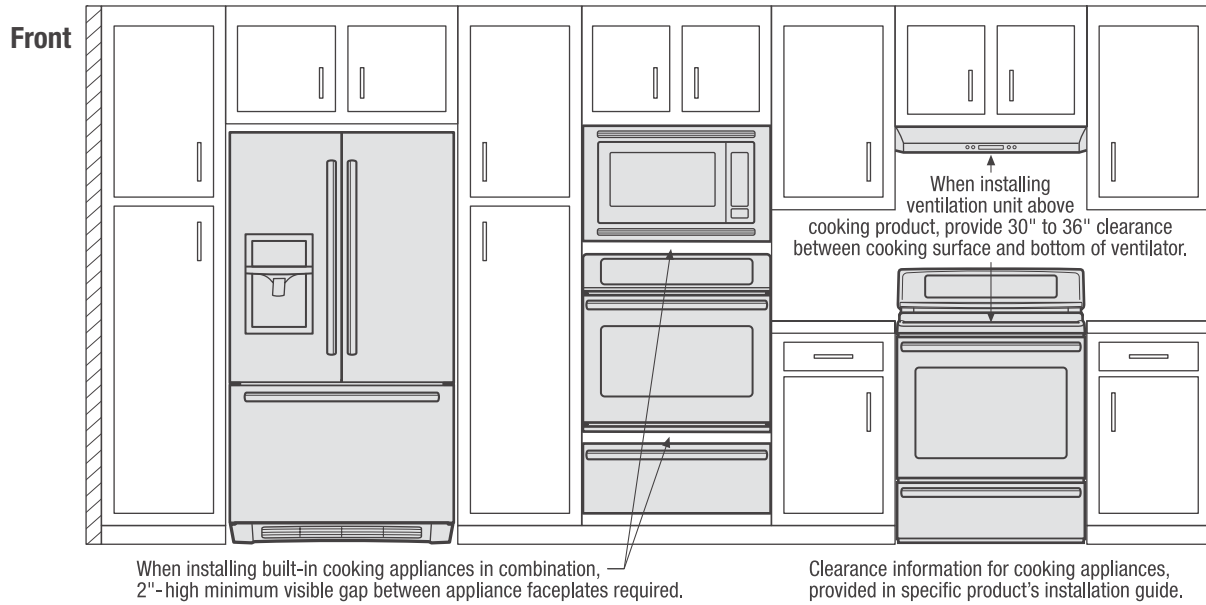
Use these dimensions and clearance instructions for planning purposes only. For detailed installation instructions, refer to installation guide, packed with product, or on the web at frigidaire.com.



*When installing top mount refrigerator adjacent to wall, cabinet or other appliance that extends beyond front edge of unit, 20" minimum clearance recommended to allow for optimum 140° door swing, providing complete crisper access and removal. (Absolute 3" minimum clearance will ONLY allow for 90° door swing which will provide limited crisper access with restricted removal.)

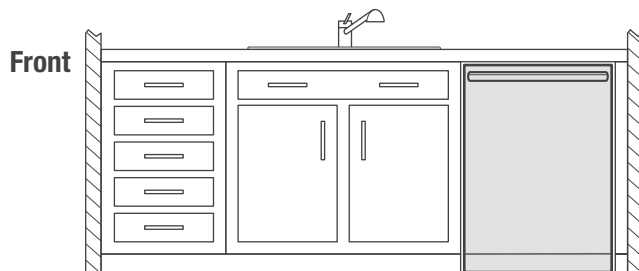
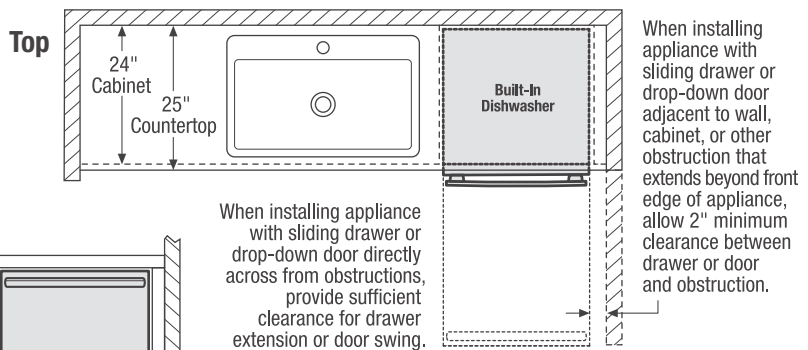


Use these dimensions and clearance instructions for planning purposes only. For detailed installation instructions, refer to installation guide, packed with product, or on the web at frigidaire.com.



*When installing French door refrigerator adjacent to wall, cabinet or another appliance that extends beyond front edge of unit, 20" minimum clearance recommended to allow for optimum 120° to 180° door swing, providing complete drawer/crisper access and removal. (Absolute 4-1/2" minimum clearance will ONLY allow for 90° door swing which will provide limited drawer/crisper access with restricted removal.)

When installing appliance with sliding drawer, swinging or drop-down door directly across from obstructions, provide sufficient clearance for drawer extension or door swings.



Use these dimensions and clearance instructions for planning purposes only. For detailed installation instructions, refer to installation guide, packed with product, or on the web at frigidaire.com.

