



FRIGIDAIRE

Factory Parts Catalog

Product No.	FGBM19WNVDA	FGBM19WNVFA
Series	Gallery	Gallery
Market	North America	North America
Color	black stainless	stainless
Volts	120	120
Watts	1000	1000
Wiring Diagram	A06823416	A06823416
Owner's Guide	A06823414	A06823414
Installation Instructions	A06823415	A06823415

Frigidaire

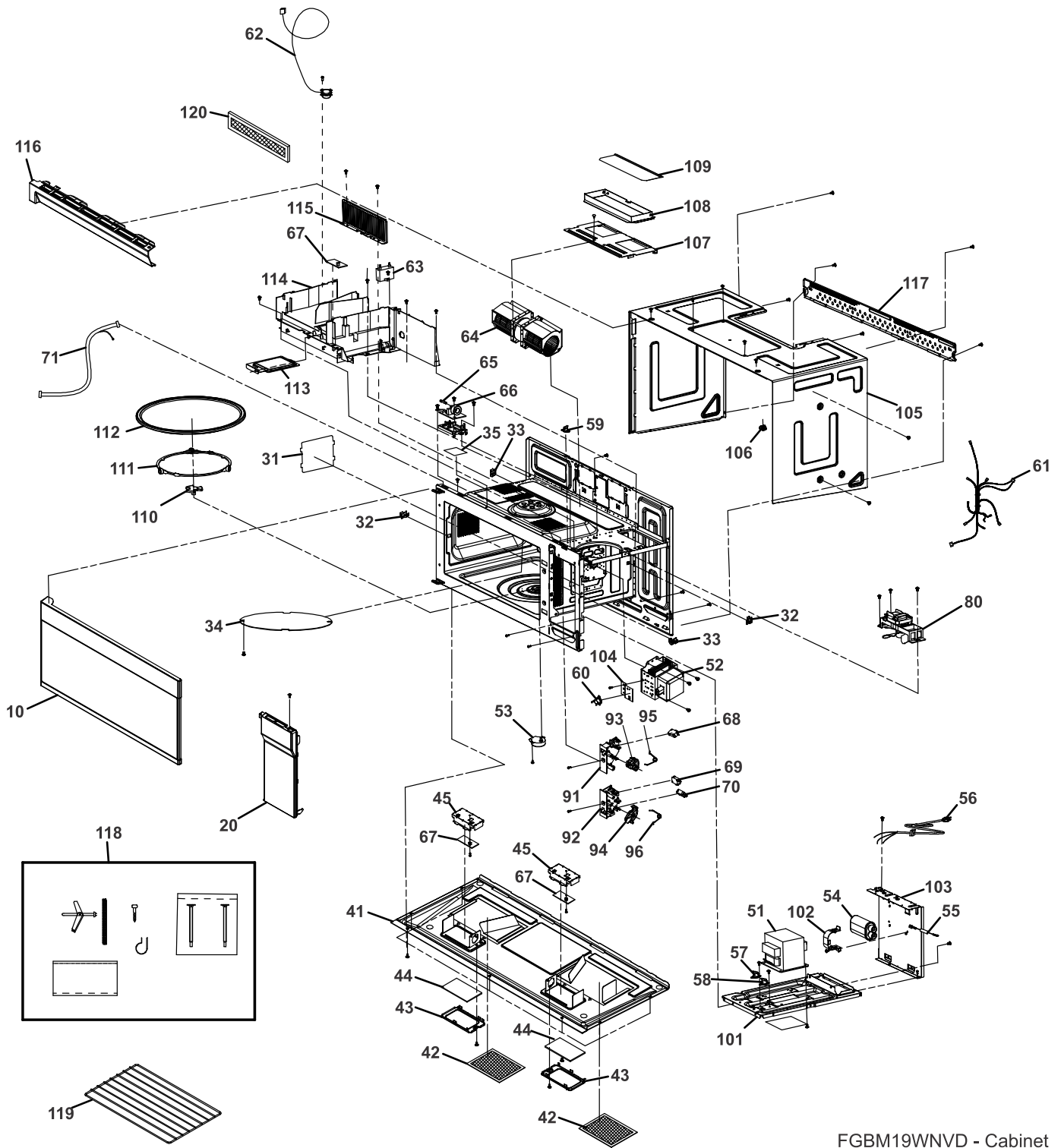
P.O. BOX 8020
CHARLOTTE, NC 28262

Publication No.
5995719647
20/01/13
(EN/SERVICE/ECL)
099

OVER-RANGE MICROWAVE

Model No.
FGBM19WNV

OVEN, CABINET



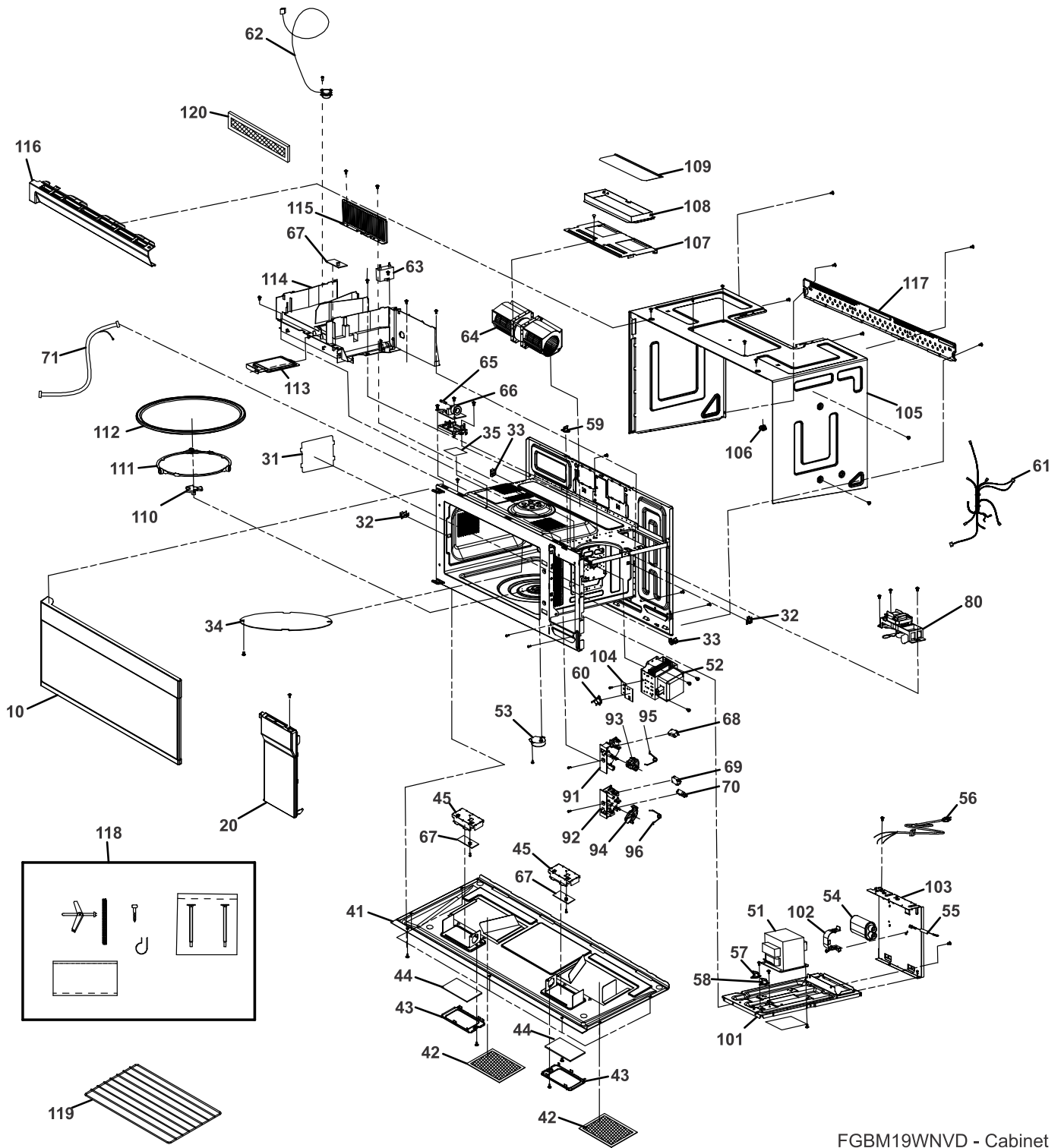
FGBM19WNV - Cabinet

OVEN,CABINET

Model Index: A FGBM19WNV (FGBM19WNVDA)
B FGBM19WNV (FGBM19WNVFA)

POS. NO	PART NO.		DESCRIPTION
10 #	5304523362	A -	Door Assembly, complete, black stainless
10 #	5304523271	- B	Door Assembly, complete, stainless, w/display board
20 #	5304523274	A B	Control Assembly, complete, w/pc board
31	5304523276	A B	Cover, wave guide
32	5304509642	A B	Support A, shelf
33	5304509643	A B	Support B, shelf
34	5304523277	A B	Cover, stirrer
35	5304509455	A B	Tape, lamp
41	5304523256	A B	Base, assembly
42	5304517871	A B	Filter, grease
43	5304509441	A B	Frame, lens holder
44	5304509443	A B	Lens, cooktop lamp, glass
45	5304509442	A B	Cover, lamp
51 #	5304515184	A B	Transformer, power, HV
52 #	5304509470	A B	Magnetron, high voltage
53 #	5304513471	A B	Motor, turntable
54 #	5304523278	A B	Capacitor, high voltage
55 #	5304515185	A B	Diode, high voltage
56 #	5304512501	A B	Power Cord, electric
57 #	5304513462	A B	Thermostat, 120/0 *V
58 #	5304513463	A B	Thermostat, 70/40 *V
59 #	5304515178	A B	Thermostat, cutout, oven cavity
60 #	5304513461	A B	Thermostat, 160/95 *V
61 #	5304523279	A B	Harness, wiring, main
62 #	5304509652	A B	Sensor, humidity
63 #	5304509453	A B	Capacitor, start
64 #	5304523280	A B	Motor, vent/blower
65 #	5304517874	A B	Fuse, noise filter
66 #	5304512523	A B	Filter, noise, electronic
67 #	5304517872	A B	Lamp, LED
68 #	5304509460	A B	Switch, interlock, primary
69 #	5304520021	A B	Microswitch, monitor
70 #	5304520020	A B	Microswitch, secondary
71 #	5304504073	A B	Wire, connector, PC board
80 #	5304523281	A B	Cooling Fan, assembly
91	5304523259	A B	Bracket, interlock, upper
92	5304523260	A B	Bracket, interlock, lower
93	5304523261	A B	Lever, interlock, upper
94	5304523262	A B	Lever, interlock, lower
95	5304523263	A B	Spring, interlock, upper
96	5304523264	A B	Spring, interlock, lower
101	5304523282	A B	Base, transformer
102	5304509477	A B	Retainer, capacitor strap
103	5304523283	A B	Deflector, air guide
104#	5304515183	A B	Thermostat
105	5304523284	A B	Wrapper, outer cabinet
106	5304509436	A B	Mounting Nut Kit
107	5304513481	A B	Cover, vent motor
108	5304509485	A B	Adapter, exhaust, damper frame

OVEN, CABINET



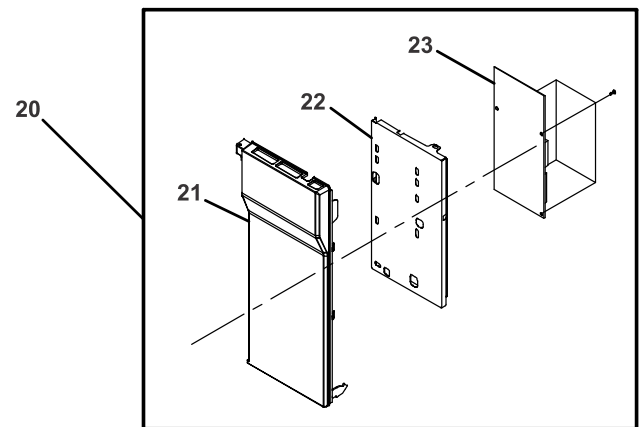
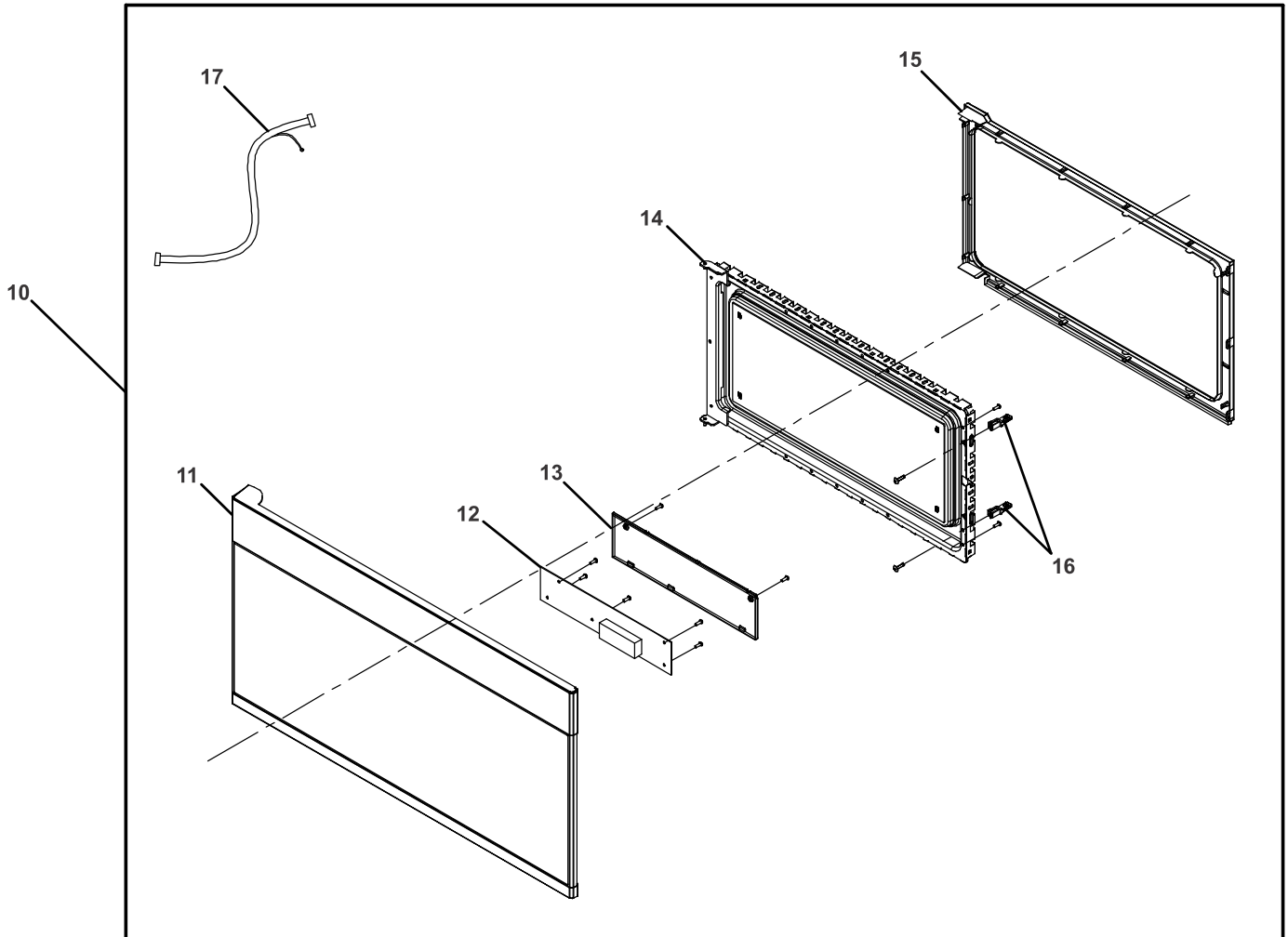
FGBM19WNV - Cabinet

OVEN,CABINET

Model Index: **A** FGBM19WNV (FGBM19WNVDA)
 B FGBM19WNV (FGBM19WNVFA)

POS. NO	PART NO.		DESCRIPTION
109	5304509486	A B	Damper, door, exhaust adapter
110	5304513472	A B	Coupler, turn table
111	5304509438	A B	Support, turntable ring
112	5304509621	A B	Tray, turntable
113	5304509450	A B	Cover, lamp, oven cavity
114	5304523285	A B	Duct, air
115	5304509456	A B	Cover, control shield, right
116	5304523265	A B	Grill, vent, black
117	5304509487	A B	Plate, wall mounting, rear
118	5304513469	A B	Mounting Kit, w/templates
119	5304523286	A B	Rack, wire
120#	5304464577	A B	Filter, charcoal, 2" X 10"

CONTROL PANEL, DOOR



FGBM19WNVD - Door

CONTROL PANEL,DOOR

Model Index: **A** FGBM19WNV (FGBM19WNVDA)
 B FGBM19WNV (FGBM19WNVFA)

POS. NO	PART NO.		DESCRIPTION
10 #	5304523362	A -	Door Assembly, complete, black stainless
10 #	5304523271	- B	Door Assembly, complete, stainless, w/display board
11	5304523272	A -	Door Assembly, outer, black stainless
11	5304523287	- B	Door Assembly, outer, stainless
12 #	5304523245	A B	PC Board, display
13	5304523246	A B	Cover, display board
14	5304523273	A B	Frame Assembly, door
15	5304523248	A B	Gasket, door
16	5304523249	A B	Latch, door
17 #	5304523250	A B	Harness, display board
20 #	5304523274	A B	Control Assembly, complete, w/pc board
21	5304523252	A B	Panel, control
22	5304523253	A B	Shield, control panel
23 #	5304523275	A B	PC Board, control/power

WIRING DIAGRAM

