



2-in-1 Convertible Freezer/Refrigerator

FFVU21F4QW

Frost-Free 20.5 Cu. Ft.



Product Dimensions

Height (Including Hinges)	73-3/16"
Width	34"
Depth (Including Door)	30-1/2"

More Easy-To-Use Features

Built with American Pride

Appliances that are high-performing, more accessible, and more innovative than ever — designed, built, and engineered in the U.S.A.

SpaceWise® Adjustable Door Bins

Flexible storage options, with door bins you can organize to fit your needs.

SpaceWise® Adjustable Shelving

Adjustable shelf allows you to customize your freezer so you can fit different size items as your needs change.

Reversible Door Swing Option

Adjustable Temperature Control

Dial Controls

Easily accessible dial controls that will stand the test of time.

Available in:



White
(W)

¹ Compared to Incandescent, 25W and 40W bulbs.

Signature Features

2-in-1 Freezer or Refrigerator

As your cold storage needs change, our 2-in-1 freezer or refrigerator offers you the flexibility to switch between freezer and refrigerator.

SpaceWise® Color-Coordinated Baskets

Take organization to the next level with our heavy-duty color-coordinated plastic baskets that can help you organize items by categories or purchase date so items are much easier to find.

Frost-Free Operation

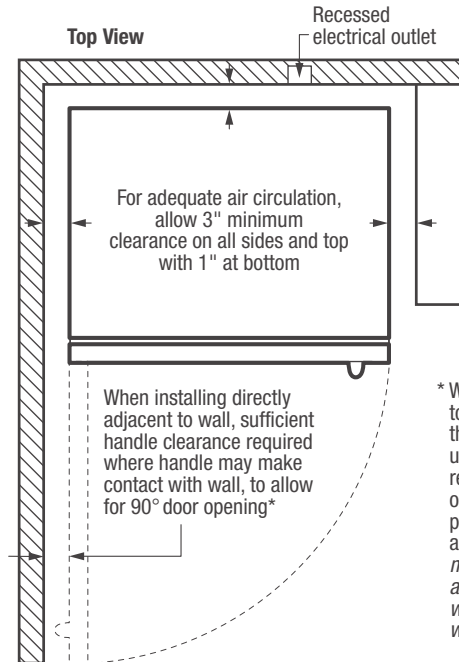
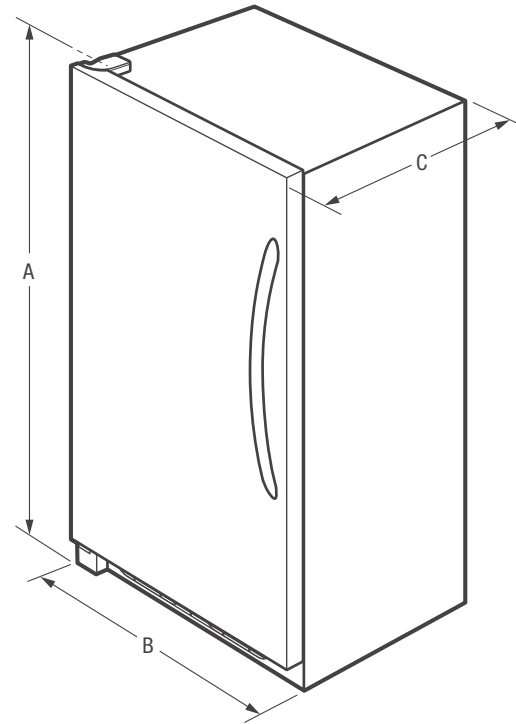
Never defrost your freezer again.

Bright LED Lighting

Brighter LED lighting so you can spend less time digging through your freezer for items.¹

Features	
Door Handle Design	Reach-Through
Reversible Door	Yes
Automatic Door Closer	Yes
Leveling Legs	Yes
Defrost	Frost-Free
Adjustable Temperature Control	Yes
Interior Lighting	LED Plug-In
Temp Display Mode	1-7
Left-Swing Door	Yes
Full-Width Adjustable Shelves	4 Wire
Full-Width Fixed Shelves	
Crisper Drawer	
Humidity Controls	
Mid-Level Baskets	1
Lower Storage Baskets	1
Store-More™ Adjustable Door Bins	3 White
Full-Width Door Bins	2 White
Convertible	Yes
Certifications	
CSA Rating	Household
Specifications	
Total Capacity (Cu. Ft.)	20.53
Shelf Area (Sq. Ft.)	13.1
Annual Energy (kWH)	345
Annual Energy Cost (.12/kWH)	\$41
Power Supply Connection Location	Lower Right Rear
Voltage Rating	115V / 60Hz / 15A
Connected Load (kW rating) @ 115 Volts ¹	.60
Amps @ 115 Volts	5
Minimum Circuit Required (Amps)	15
Shipping Weight (Approx.)	224 Lbs.

¹An electrical supply with grounded three-prong receptacle is required. The power supply circuit must be installed in accordance with current edition of National Electrical Code (NFPA 70) and local codes & ordinances.



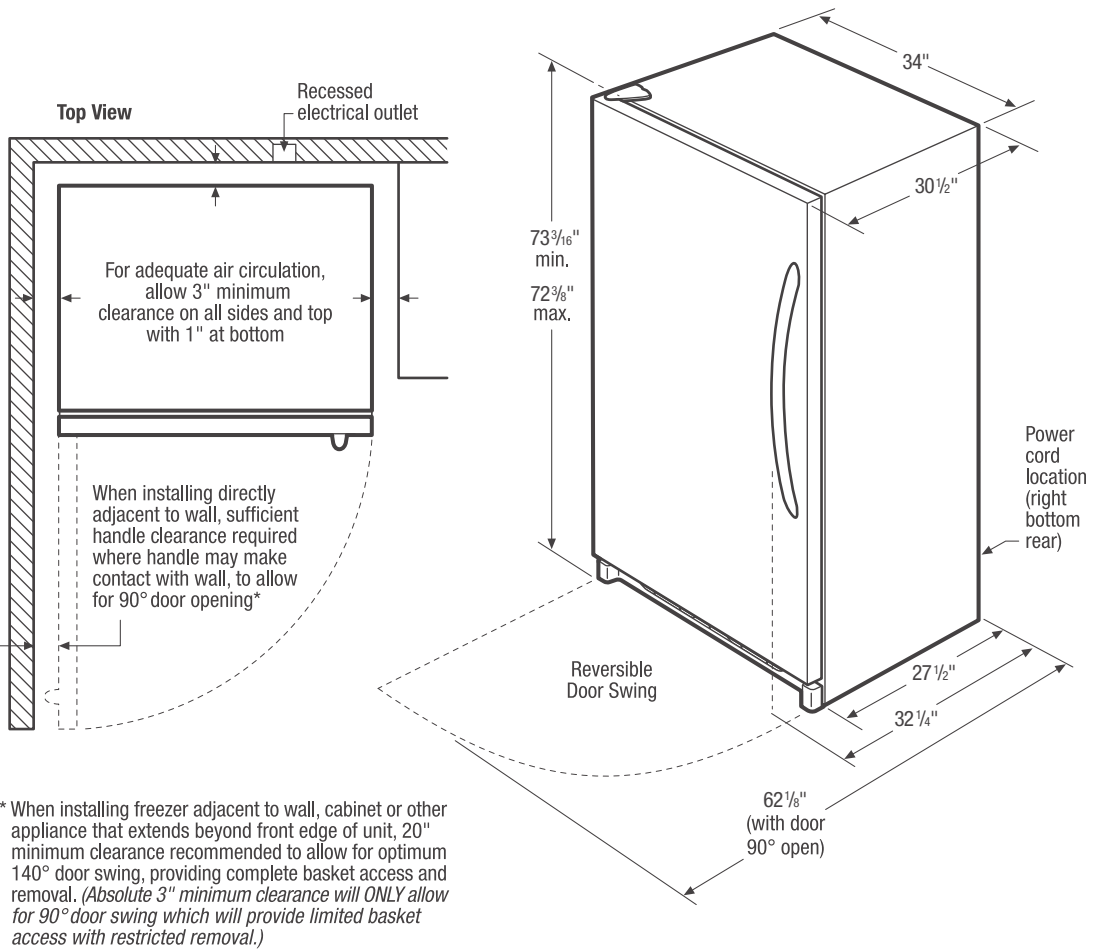
* When installing freezer adjacent to wall, cabinet or other appliance that extends beyond front edge of unit, 20" minimum clearance recommended to allow for optimum 140° door swing, providing complete basket access and removal. (Absolute 3" minimum clearance will ONLY allow for 90° door swing which will provide limited basket access with restricted removal.)

NOTE: For planning purposes only. Always consult local and national electric codes. Refer to Product Installation Guide for detailed installation instructions on the web at frigidaire.com.



Product Dimensions	
A - Height (Including Hinges)	73-3/16"
B - Width	34"
C - Depth (Including Door)	30-1/2"
D - Depth with Door Open 90°	62-1/8"

Accessories information available on the web at frigidaire.com



Convertible Freezer/Refrigerator Specifications

- Product Shipping Weight (approx.) - 224 Lbs.
- An electrical supply with grounded three-prong receptacle is required. The power supply circuit must be installed in accordance with current edition of *National Electrical Code (NFPA 70)* and local codes & ordinances.
- Voltage Rating - 115V, 60Hz
- Connected Load (kW Rating) @115 Volts = 0.60 kW
- Amps @115 Volts = 5 Amps
- Always consult local and national electric codes.
- For adequate air circulation, allow 3" minimum clearance on all sides and top with 1" at bottom.

- When installing freezer adjacent to wall, cabinet or other appliance that extends beyond front edge of unit, 20" minimum clearance recommended to allow for optimum 140° door swing, providing complete basket access and removal. (Absolute 3" minimum clearance will ONLY allow for 90° door swing which will provide limited basket access with restricted removal.)
- Locate where surrounding air temperature will not exceed 110° F, to ensure optimum performance. (Temperatures 32° F and below will NOT affect operation.)
- All bottom corners of unit MUST rest firmly on solid level surface of hard material, same height as flooring. Surface must be strong and stable enough to support unit when fully loaded.
- Equipped with adjustable leveling legs to ensure unit is level, which is required in order to function properly.

Note: For planning purposes only. Refer to Product Installation Guide on the web at frigidaire.com for detailed instructions.