

## FFTR1830QS

### TOP MOUNT REFRIGERATOR 18.0 CU. FT. TOP MOUNT



#### AVAILABLE COLORS



Stainless

#### PRODUCT DIMENSIONS

Height (Incl. Hinges & Rollers)	66-1/8"
Width	30"
Depth (Incl. Door)	29-7/8"

#### MORE EASY-TO-USE FEATURES

Independent Temperature Controls

Clear Dairy Door

Reversible Door

Door can be installed to open left or right based on your needs.

#### CERTIFICATIONS

A.D.A. - Compliant<sup>1</sup>

With accessible shelving, and controls that are positioned within arm's reach and allow one-hand operation, our top-freezer refrigerator is A.D.A. - Compliant.



<sup>1</sup>When properly installed, this model is A.D.A.-qualified based on the United States Access Board's A.D.A./A.B.A. Accessibility Guidelines and the Department of Justice's 2010 A.D.A. Standards for Accessible Design.

### SIGNATURE FEATURES

#### Built with American Pride

Appliances that are high-performing, more accessible, and more innovative than ever — designed, built, and engineered in the U.S.A.

#### SpillSafe® Shelves

Designed to keep spills contained, making cleanup a breeze.

#### Store-More™ Humidity-Controlled Crisper Drawers

Our humidity-controlled crisper drawers are designed to keep your fruits and vegetables fresh so you don't have to worry about stocking up.

#### Full-Width Wire Freezer Shelf

Gives you a way to organize items in your freezer better so you can find food quickly.

# FFTR1830QS TOP MOUNT REFRIGERATOR

18.0 CU. FT.

FRIGIDAIRE

## FEATURES

Door Design	UltraSoft™
Door Handle Design	Stainless Steel
Cabinet Finish (Textured)	Black
Door Stops	Yes
Door Hinge Covers	Black
Door Reverse Option	Yes
Rollers - Front/Rear	Fixed/Yes
Toe Grille	Black

## REFRIGERATOR FEATURES

Interior Lighting	Bright
Refrigerator Shelves	2 Full-Width SpillSafe® Glass
Deli Drawer	1 Half-Width
Store-More™ Crisper Drawers	2 Clear
Humidity Controls	2
Dairy Compartment	Clear Dairy Door
Door Bins	3 Full-Width White
Gallon Door Storage	1

## FREEZER FEATURES

Door Racks	2 Full-Width Clear
Freezer Shelves	1 Full-Width Wire
Factory Ice Maker w/ Large Ice Bin	Optional (PN# IM116)

## CERTIFICATIONS

A.D.A. Compliant <sup>1</sup>	Yes
-------------------------------	-----

## SPECIFICATIONS

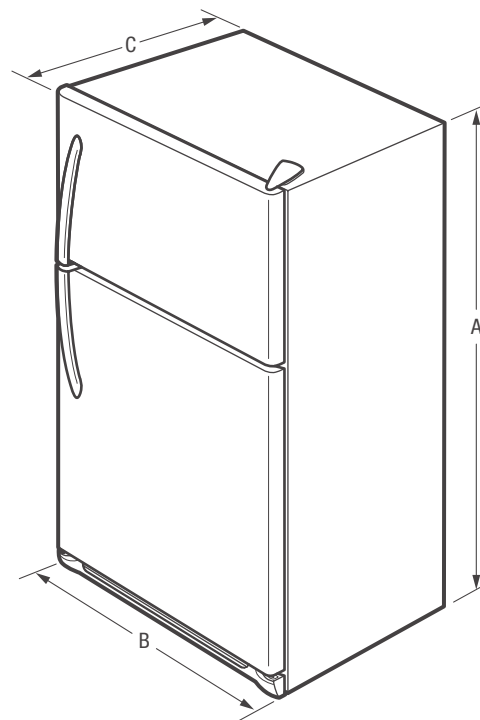
Total Capacity (Cu. Ft.)	18.0
Refrigerator Capacity (Cu. Ft.)	14.1
Freezer Capacity (Cu. Ft.)	3.9
Power Supply Connection Location	Right Bottom Rear
Water Inlet Connection Location	Bottom Right
Voltage Rating	120V / 60Hz / 15A
Connected Load (kW Rating) @ 120 Volts <sup>2</sup>	0.72
Amps @ 120 Volts	6.0
Minimum Circuit Required (Amps)	15
Shipping Weight (Approx.)	205 Lbs.

<sup>1</sup>When properly installed, this model is A.D.A.-qualified based on the United States Access Board's A.D.A./A.B.A. Accessibility Guidelines and the Department of Justice's 2010 A.D.A. Standards for Accessible Design.

<sup>2</sup>For use on adequately wired 120V, dedicated circuit having 2-wire service with a separate ground wire. Appliance must be grounded for safe operation.

## PRODUCT DIMENSIONS

A - Height (Incl. Hinges & Rollers)	66-1/8"
B - Width	30"
C - Depth (Incl. Door)	29-7/8"
Depth with Door Open 90°	58-1/2"



**Note:** For planning purposes only. Always consult local and national electric, gas and plumbing codes. Refer to Product Installation Guide for detailed installation instructions on the web at [frigidaire.com](http://frigidaire.com).

Specifications subject to change. Accessories information available on the web at [frigidaire.com](http://frigidaire.com)

FRIGIDAIRE

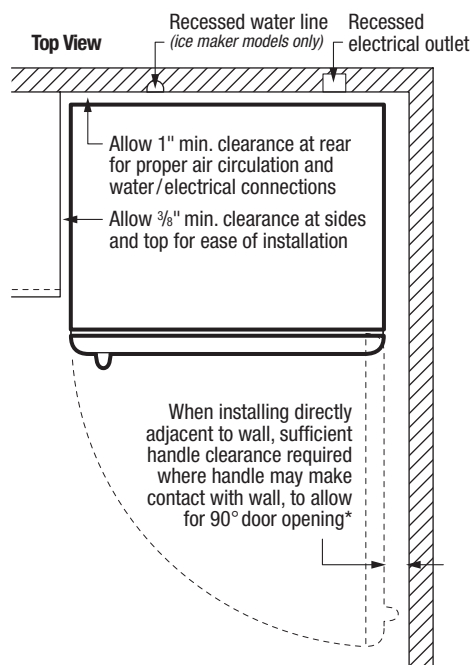
USA • 10200 David Taylor Drive • Charlotte, NC 28262 • 1-800-FRIGIDAIRE • [frigidaire.com](http://frigidaire.com)  
CANADA • 5855 Terry Fox Way • Mississauga, ON L5V 3E4 • 1-800-265-8352 • [frigidaire.ca](http://frigidaire.ca)

FFTR1830QS 06/18  
© 2018 Electrolux Home Products, Inc.

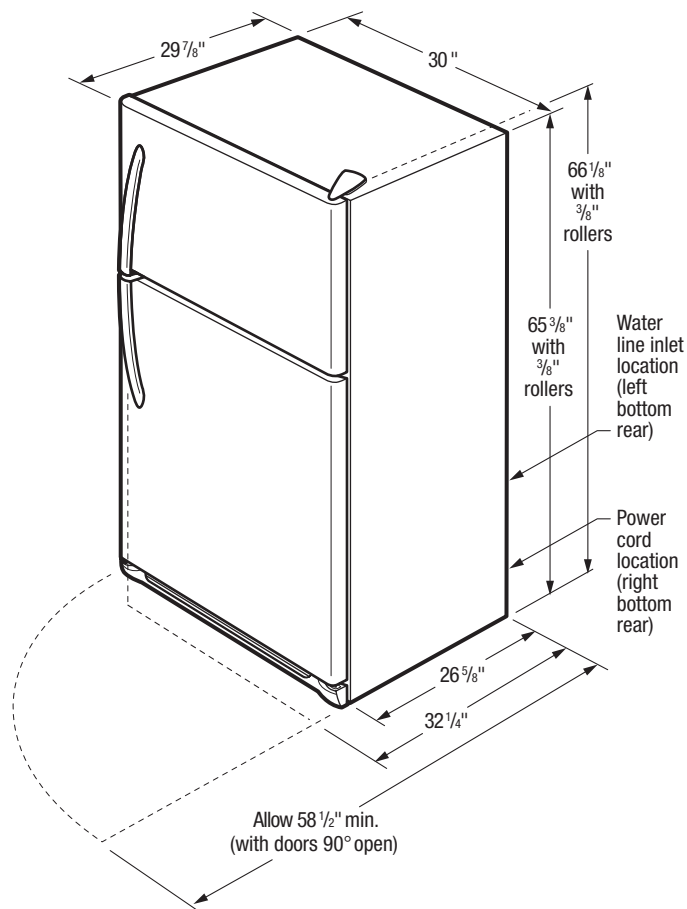
# FFTR1830QS TOP MOUNT REFRIGERATOR

18.0 CU. FT.

FRIGIDAIRE



\* When installing refrigerator adjacent to wall, cabinet or other appliance that extends beyond front edge of unit, 20" minimum clearance recommended to allow for optimum 140° door swing, providing complete crisper access and removal. (Absolute 3" minimum clearance will ONLY allow for 90° door swing which will provide limited crisper access with restricted removal.)



## INSTALLATION SPECIFICATIONS

- Product Shipping Weight (approx.) - 205 Lbs.
- An electrical supply with grounded three-prong receptacle is required. The power supply circuit must be installed in accordance with current edition of National Electrical Code (NFPA 70) and local codes & ordinances.
- Voltage Rating - 120V/60 Hz/15 Amps
- Connected Load (kW Rating) @ 120 Volts = 0.72kW
- Amps @ 120 Volts = 6.0 Amps
- Always consult local and national electric & plumbing codes.
- Floor should be level surface of hard material, capable of supporting fully loaded refrigerator.
- Minimum 3/8" clearance required for sides and top of refrigerator with 1" clearance at rear to allow for ease of installation, proper air circulation, and plumbing/electrical connections.
- When installing refrigerator adjacent to wall, cabinet or other appliance that extends beyond front edge of unit, 20" minimum clearance recommended to allow for optimum 140° door swing, providing complete crisper access and removal. (Absolute 3" minimum clearance will ONLY allow for 90° door swing which will provide limited crisper access with restricted removal.)

- To ensure optimum performance, do not install in areas where temperature drops below 55°F or rises above 110°F and avoid installing in direct sunlight or close proximity to range, dishwasher or other heat source.
- For proper ventilation, front grille MUST remain unobstructed.
- Recess electrical outlet when possible.
- Optional Ice Maker Kit (PN# IM116) available for installation in ice maker-ready models only.
- Water recess on rear wall recommended to prevent water line damage.
- Water Pressure - Cold water line must provide between 30 and 100 pounds per square inch (psi).
- Copper tubing with 1/4" O.D. recommended for water supply line with length equal to distance from rear of unit to household water supply line plus 7 additional feet. Optional Water Supply Installation Kits available.

### OPTIONAL ACCESSORIES

- Ice Maker Kit - (PN# IM116).



FRIGIDAIRE

USA • 10200 David Taylor Drive • Charlotte, NC 28262 • 1-800-FRIGIDAIRE • frigidair.com  
CANADA • 5855 Terry Fox Way • Mississauga, ON L5V 3E4 • 1-800-265-8352 • frigidair.ca

Note: For planning purposes only. Always consult local and national electric, gas and plumbing codes. Refer to Product Installation Guide for detailed installation instructions on the web at frigidair.com.

Specifications subject to change. Accessories information available on the web at frigidair.com

FFTR1830QS 06/18

© 2018 Electrolux Home Products, Inc.