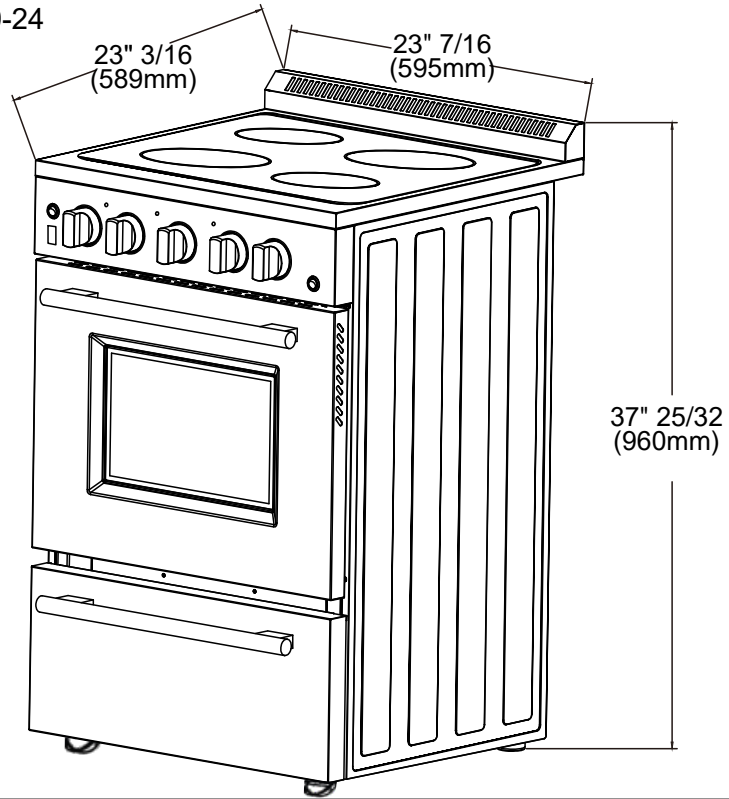


## PRODUCT DIMENSIONS AND CABINETS

**Model:** FFSEL6069-24



## CABINET INSTALLATION

