

Steel FFP3425BSS Black Stainless Steel

Steel collection faucets blend the modern look and inherent sturdiness of solid stainless steel and are perfect for today's hard-working kitchens.

FEATURES

- Solid 304 stainless steel construction delivers corrosion resistance inside and out
- Pull-Down 360-degree swivel spout provides a full range of motion to reach almost any area of the sink
- Dual functioning spray head can toggle between powerful spray and stream, making clean-up effortless
- Single handle effortlessly controls water temperature and pressure
- ADA Compliant
- Pair with other faucets in the Franke Steel series for a consistent look throughout the kitchen

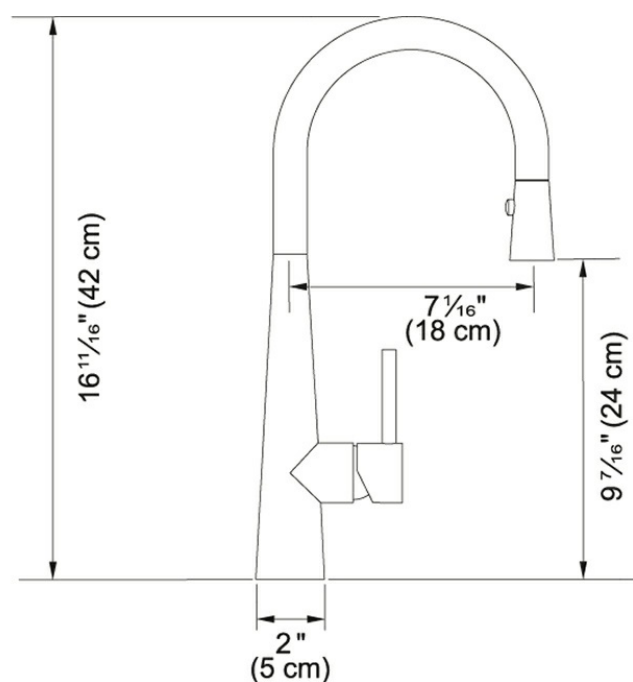
Product Picture



Product Information

Version	Arc Spout
Spray Type	Spray & Stream
Faucet Operation	Side Lever
Flow Rate	1.75 gpm
Cartridge	Ceramic Cartridge
Where to buy	Showroom
Countertop hole diameter	1 3/8"

Technical Drawing



Article Numbers

FUN#	115.0619.307
------	--------------

