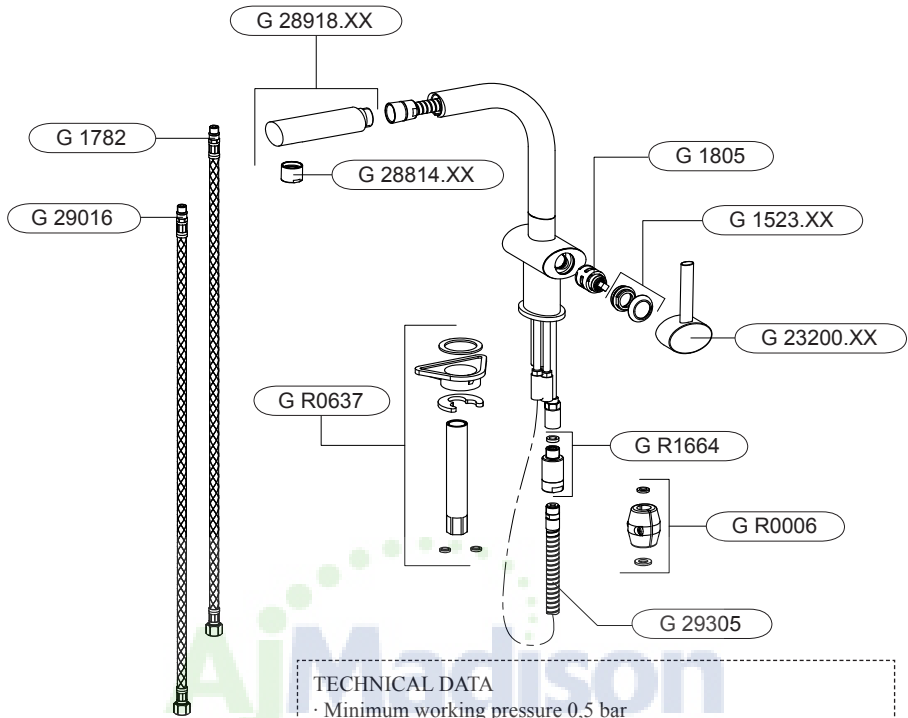




FFP 1100 SERIES

Pull-Out Spray Faucet

Installation guide



TECHNICAL DATA

- Minimum working pressure 0,5 bar
- Maximum working pressure 5 bar
- Recommended working pressure 3 bar (in case of water pressure higher than 5 bar it is recommended to install pressure reducers)
- Maximum working temperature 70°C

PARTS LIST

G 23200.XX	Handle
G 1523.XX	Ring cap
G 1805	Cartridge
G R0637	Fastening set (rubber washer, triangular flange, metal washer, nut)
G R1664	Valve-holder
G R0006	Counter weight and gaskets
G 29305	Flexible hose
G 28918.XX	Spray head
G 28814.XX	Aerator
G 1782	Supply flexible hose
G 29016	Supply flexible hose

TECHNICAL FEATURES

- Maximum water flow 2.2 gpm - 60 psi
- Recommended pressure range 15-75 psi - Over 75 psi PRV required
- Complies with Proposition 65, NSF61, UPC and C-UPC requirements

Faucet installation

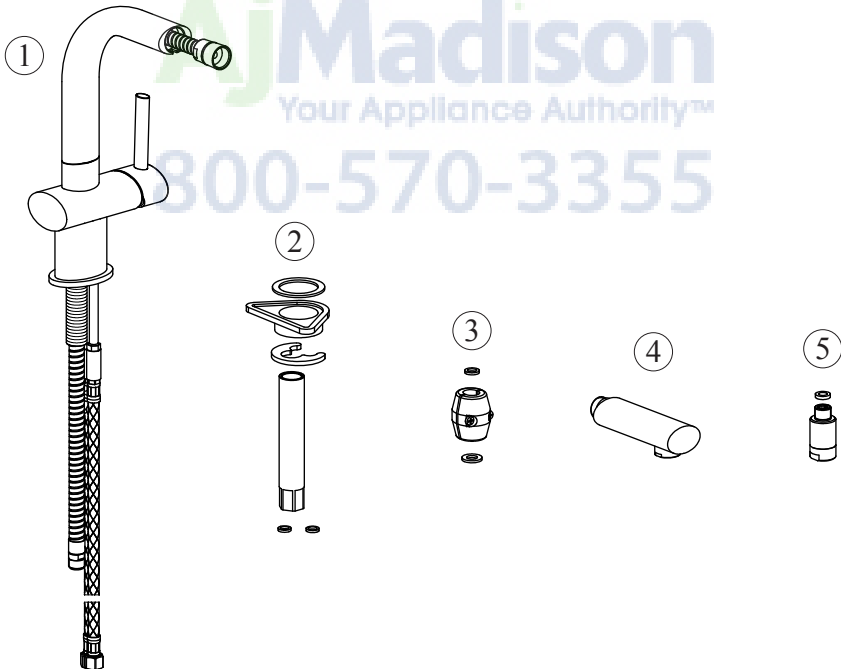
Please remove all components from package and inspect prior to installation (see itemized table and picture).

NOTE:

Call us immediately if you see inconsistencies. (1-800-626-5771)
or visit
www.frankeksd.com

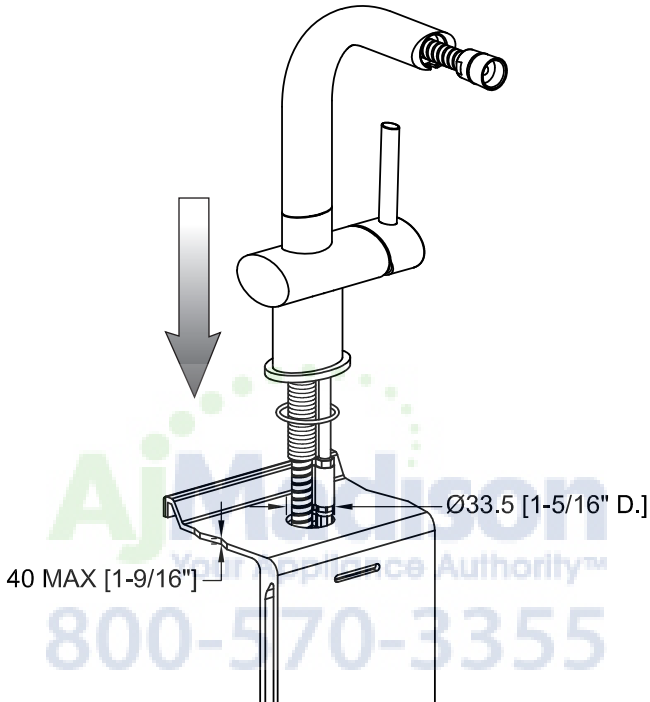
TABLE OF CONTENTS

1	Faucet
2	Fastening set (rubber washer, triangular flange, metal washer, nut)
3	Counter weight and gaskets
4	Spray head
5	Valve-holder



Remove all mounting hardware from protecting plastic bag.

Install faucet to the sink or countertop

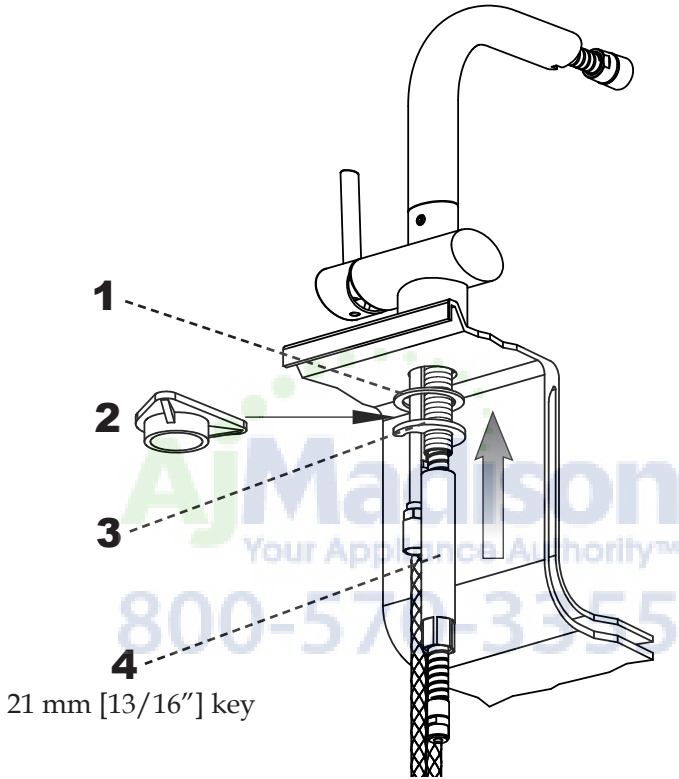


Set the faucet into place on the sink as indicated in the figure.

NOTE:

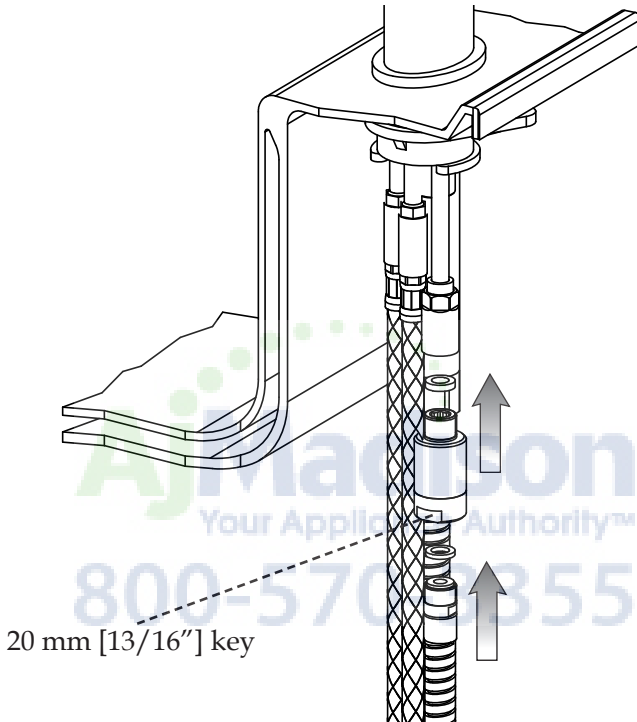
the rubber O-ring should be sitting on top of the countertop and between the faucet body. **DO NOT** use putty or other sealant at this location.

Install faucet to the sink or countertop - follows



Install the fastening components to the faucet's threaded shank in the following sequence: O-ring (1), triangular flange (2), metal washer (3) and threaded nut (4) (the triangular flange can be omitted if the sink/countertop is too thick).

Attach the valve-holder

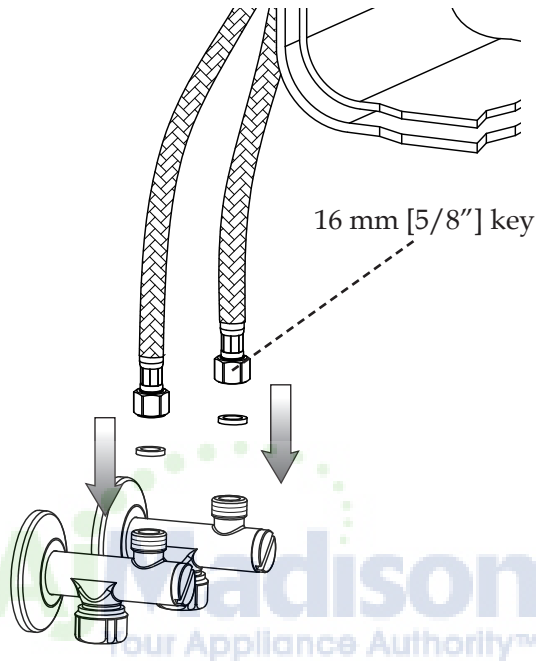


Attach the valve-holder to the shorter tubing and attach the spray hose to the valve-holder.

NOTE:

The provided small black rubber washer needs to be installed here. DO NOT use putty or other sealant agents at this joint.

Connect the supply line

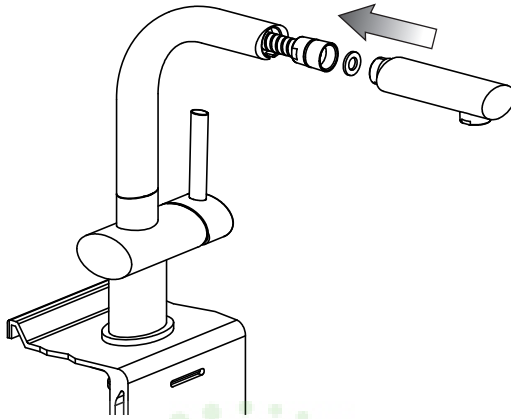


Connect the supply line. In order to guarantee a long use of the product, install the angle valve equipped with filter and clean them regularly. Do not allow the supply tube to twist or bend sharply.

Flush out debris from water lines and faucet.

1. Pull spray hose out of the faucet spout and point the open end towards the sink drain.
2. Open faucet handle - cold side first - by turning handle to the right and moving it upward
3. Let the faucet run on cold for 15 to 30 seconds.
4. Open faucet handle - hot side second - by turning handle to the left and moving it upward.
5. Let the faucet run on cold for 15 to 30 seconds.
6. Turn faucet off.
7. Test for leaks under the cabinet.

Assemble Pull-out Spray

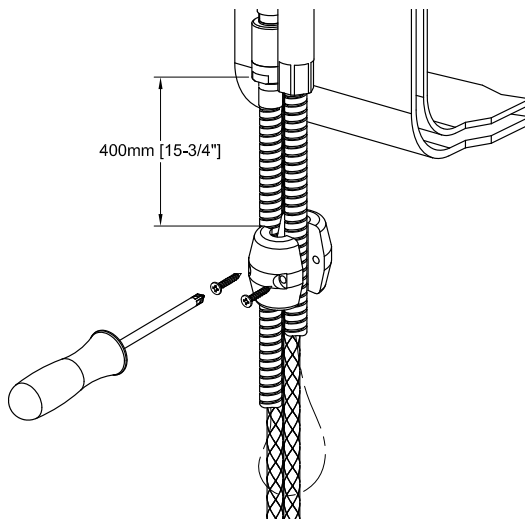


Attach the pull-out spray head to the hose.

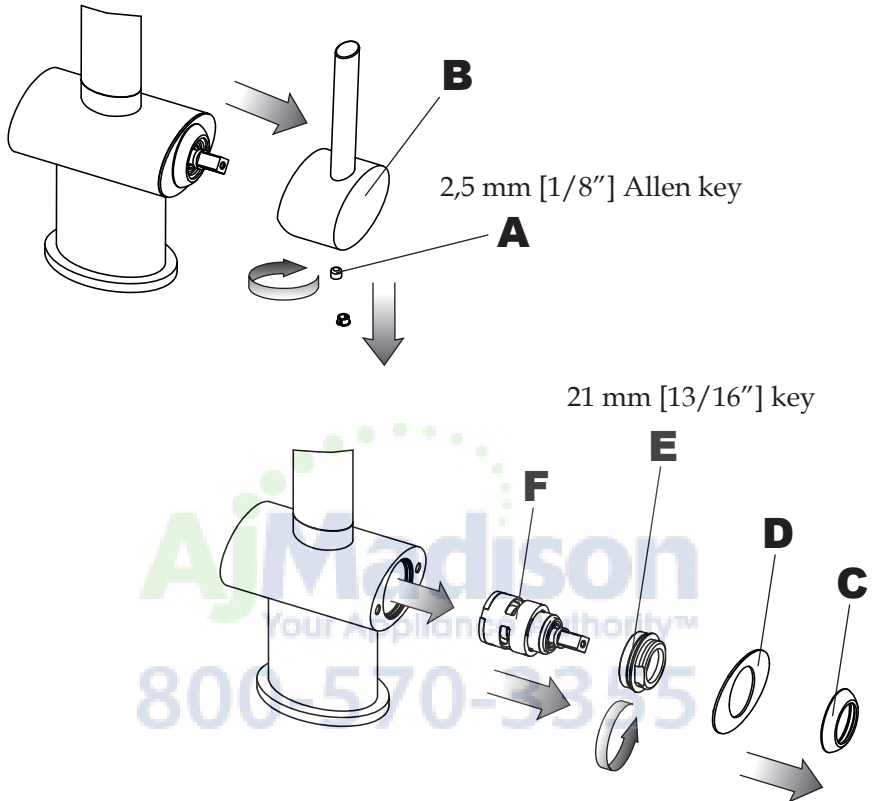
NOTE:

The rubber washer needs to be installed to prevent leakage.

Fasten the weight to the hose as shown in picture below. Test all water lines, fitting and connections for leaks.



Replacing the cartridge



Before starting, shut off the water supply to the faucet and move the faucet handle to the off position. Use a 2.5mm [1/8"] Allen key to loosen the set screw (A) which is accessible from the back of the handle. Lift the handle (B) from the cartridge (F). Find the small notch at the base of the chrome ring cap and carefully pry up against this to remove the cap (C). Remove the brass retaining ring (E) using a 21 mm [13/16"] wrench. Lift out the cartridge (F). Ensure that the grommets (O-rings) are in good condition and properly seated and remove all mineral deposits. Install the new cartridge so that the central pivots fit into the corresponding seats.

General maintenance

Do not use harsh detergents, solvents, chemical agents, metallic sponges, etc. that could harm the surface.

Clean only with a soft sponge and soapy water.

Clean and then dry properly the faucet in case of very hard or calcareous water, whose deposits could damage the surface.



Limited lifetime warranty

Franke Consumer Products, Inc., Kitchen Systems Division extends the following warranty to the original purchaser of its faucets effective January 1, 2003.

All faucets installed in a private residence will carry a *limited lifetime warranty* on all mechanical parts to be free of manufacturing defects in material and workmanship under normal usage. *All chrome finishes carry a limited lifetime warranty; all other finishes are warranted for five (5) years from the original date of purchase.*

Marine and Outdoor Installation: Franke Consumer Products, Inc. faucets are NOT warranted for Marine and Outdoor installations.

This warranty applies only to the original owner, providing the product has been installed in accordance with our installation instructions, used as recommended and in a normal residential application. **In the event of a warranty claim, the owner will be required to provide proof of purchase - save sales receipt.** This warranty covers all components which make the product operational. Franke, at its option, may repair or replace the product or components necessary to restore the product to good working condition. Franke reserves the right to inspect the installation *prior* to the actual replacement of the product or component part.

This warranty does not cover misuse or abuse, accidental damages, scuffs or scratches, improper installation, abnormal usage, negligence or damage caused by improper maintenance or cleaning. Normal wear of parts is excluded from the warranty. Damage caused by impurities or acts beyond our control are not covered. Any product or part which has been repaired or altered in any manner outside of Franke's factory, unless previously authorized in writing by Franke, will void warranty. ***Any replacement excludes transportation and any labor re-installation costs.*** This warranty does not allow recovery of incidental or consequential damages such as loss of use, delay, property damage or other consequential damage, and Franke accepts no liability for such damages.

The Franke warranty is limited to the above conditions and to the warranty period specified herein and is exclusive. Franke **DISCLAIMS** all other warranties, expressed or implied, including **IMPLIED WARRANTIES OF MERCHANTABILITY AND/OR FITNESS FOR AS PARTICULAR PURPOSE**. This warranty gives you specific legal rights that may vary from state to state.

Further information

For any further information about our products, about the installation of them or about the guarantee, please dial the number of the customer service:

Phone number +1-215-822-6590

Or: 1-800-626-5771

Fax number + 1-215-822-5873

**Franke Consumer Products Inc. - Kitchen Systems Division
3050 Campus Drive, Suite 500 Hatfield, PA 19440**