

# Side-by-Side Refrigerators

FFHX2325T S/M/P/E

22.1 Cu. Ft. Standard-Depth



## Signature Features

### ENERGY STAR®-Qualified

Maximize your energy and dollar savings with ENERGY STAR®-Qualified Appliances.

### Adjustable Interior Storage

Over 100 ways to organize and customize your refrigerator. Details vary by model.

### PureSource 3®

Clean, pure, refreshing water that removes impurities straight from your refrigerator.

### Multi-Level LED Lighting

Corner-to-corner LED lighting throughout the refrigerator for better visibility.

### Product Dimensions

Height (Including Hinges & Rollers)	69-7/8"
Width (Doors)	33"
Depth (Including Door)	32"

### More Easy-To-Use Features

#### Deli Drawer

Keeps sandwich meats and cheeses organized in a convenient location.

#### Store-More™ Humidity-Controlled Crisper Drawers

Keep your fruits and vegetables fresh in our humidity-controlled crisper drawers.

#### Store-More™ Capacity

Our large capacity refrigerator gives you room to store more.

#### Store-More™ Gallon Door Bins

Door storage gives you room for larger items — like a gallon of milk.

#### Clear Dairy Door

#### Store-More™ Shelves

More space to store your food with edge-to-edge shelves.

#### Filter Change Alert

#### Control Lock Option

#### Ready-Select® Controls

Easily select options with the touch of a button.



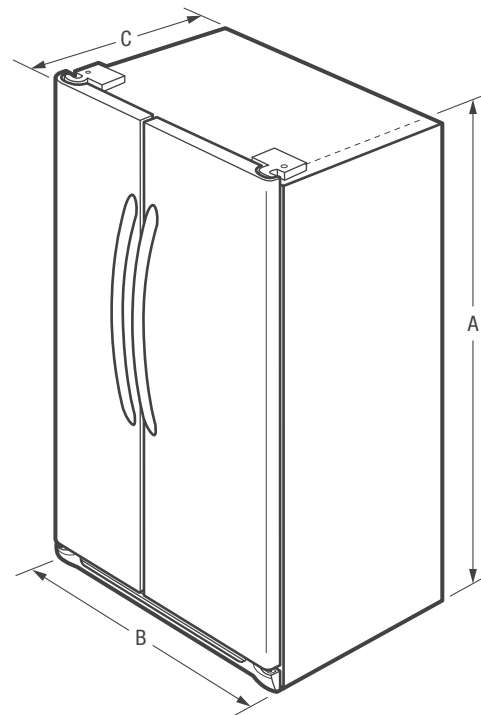
ENERGY STAR®

#### Available in:



<b>Features</b>	
Door Design	Tall UltraSoft™
Door Handle Design	Stainless Steel (S), C-Coordinated (M/P/E)
Cabinet Finish	Grey (S), C-Coordinated (M/P/E)
Door Stops/Door Closers	Yes/Yes
Door Hinge Covers	Hidden
Rollers - Front/Rear	Adjustable/Yes
Energy Saver Plus Technology	Yes
Water Filter Location	Top Right Rear
<b>Dispenser</b>	
Controls	Ready-Select®
Dispenser Design	Tall, 2 Paddle
Number of Dispenser Buttons	5
Crushed Ice/Cube Ice/Water	Yes/Yes/Yes
Ice Option/Freeze Option	
Control Lock/Light	Yes/Yes
Temp/Door Ajar/Power Failure Alerts	
Water Filter Change Indicator Light	Yes
Air Filter Change Indicator Light	
<b>Refrigerator Features</b>	
Interior Lighting	LED
Water Filter Type	PureSource 3®
Air Filter Type	
Fixed Shelves	2 Flat Glass
Deli Drawer	Yes
Wine/Can Rack	
Upper Crisper/Lower Crisper	1 Clear/1 Clear
Humidity Controls	1
Dairy Compartment	1 Clear
Fixed Door Bins	2 Two-Liter Clear
Adjustable Door Bins	2 One-Gallon Clear
Non-Slip Bin Liner/Bottle Retainers	
<b>Freezer Features</b>	
Door Bins/Tilt-Out Wire Door Bins	4 Clear/No
Fixed Shelves	1 Flip/2 Wire
Full Extension Baskets	
Full Freezer Baskets	1 Plastic
Half Freezer Baskets	
Ice Cream Shelf/Pizza Shelf	
SpaceSaver™ Shelf	
Lighting	LED
<b>Certifications</b>	
ENERGY STAR®	Yes
<b>Specifications</b>	
Total Capacity (Cu. Ft.)	22.1
Refrigerator Capacity (Cu. Ft.)	14.2
Freezer Capacity (Cu. Ft.)	7.9
Power Supply Connection Location	Right Bottom Rear
Water Inlet Connection Location	Left Bottom Rear
Voltage Rating	120V/60Hz
Connected Load (kW Rating) @ 120 Volts¹	1.02
Amps @ 120 Volts	8.5 Amps
Minimum Circuit Required (Amps)	15
Shipping Weight (Approx.)	285 Lbs.

<sup>1</sup>For use on adequately wired 120V, dedicated circuit having 2-wire service with a separate ground wire. Appliance must be grounded for safe operation.

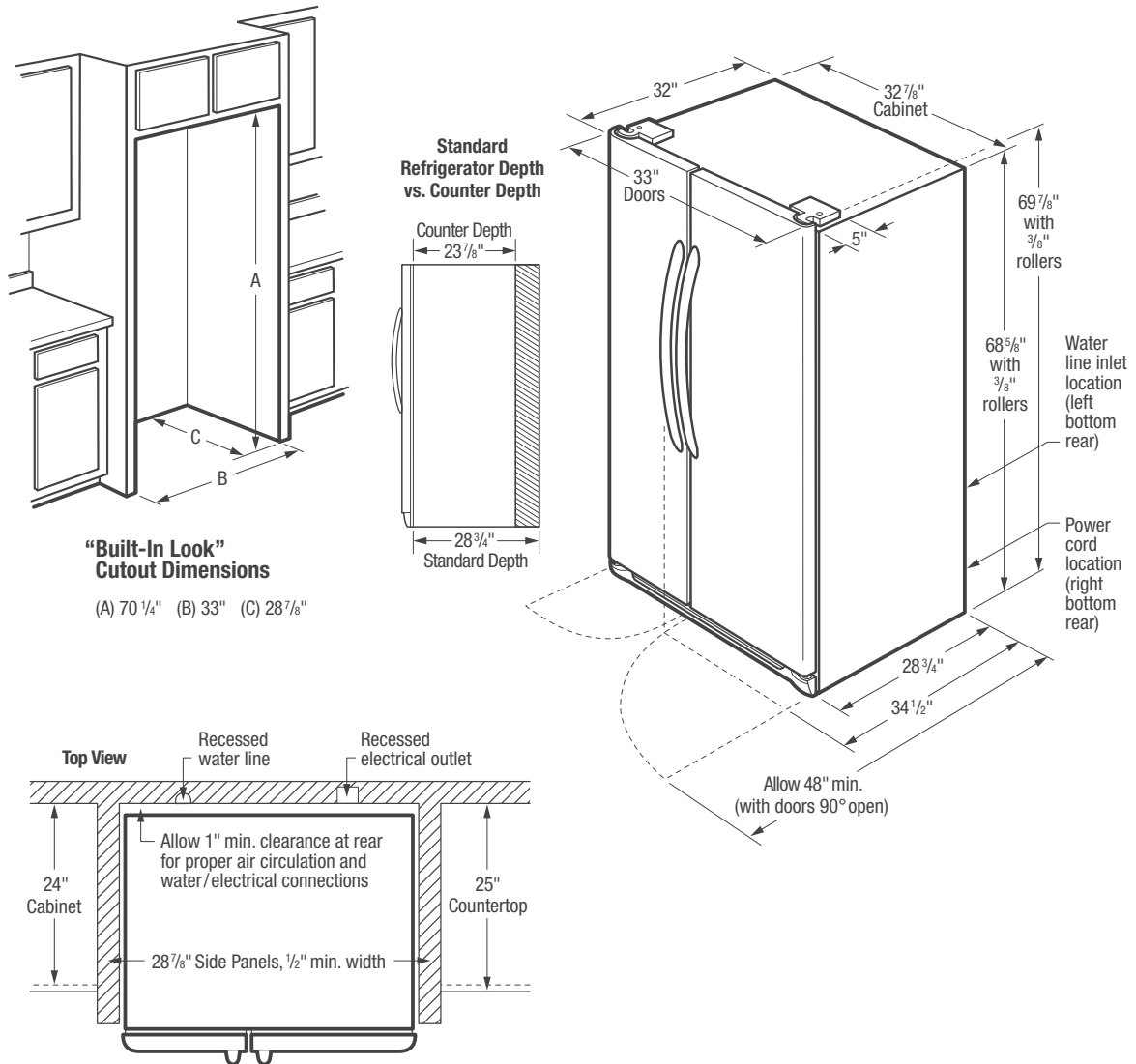


NOTE: For planning purposes only. Always consult local and national electric and plumbing codes. Refer to Product Installation Guide for detailed installation instructions on the web at [frigidaire.com](http://frigidaire.com).



Product Dimensions	
A - Height (Incl. Hinges & Rollers)	69-7/8"
B - Cabinet Width/Door Width	32-7/8" / 33"
C - Depth (Incl. Door)	32"
Depth with Door Open 90°	48"

Accessories information available on the web at [frigidaire.com](http://frigidaire.com)



**“Built-In Look”  
Cutout Dimensions**  
(A) 70 1/4" (B) 33" (C) 28 7/8"

**Standard Refrigerator Depth vs. Counter Depth**  
Counter Depth 23 7/8"  
Standard Depth 28 3/4"

**Top View**  
Recessed water line  
Recessed electrical outlet  
Allow 1" min. clearance at rear for proper air circulation and water/electrical connections  
24" Cabinet  
25" Countertop  
28 7/8" Side Panels, 1/2" min. width

Allow 48" min. (with doors 90° open)

**Side-by-Side Refrigerator Specifications**

- Product Shipping Weight (approx.) - 285 Lbs.
- Voltage Rating - 120V / 60 Hz
- Connected Load (kW Rating) @ 120 Volts = 1.02 kW (For use on adequately wired 120V, dedicated circuit having 2-wire service with a separate ground wire. Appliance must be grounded for safe operation.)
- Amps @ 120 Volts = 8.5 Amps
- Always consult local and national electric & plumbing codes.
- Floor should be level surface of hard material, capable of supporting fully loaded refrigerator.
- When installing refrigerator adjacent to wall, cabinet or other appliance that extends beyond front edge of unit, 20" minimum clearance recommended to allow for optimum 120° to 180° door swing, providing complete drawer / crisper access and removal. (*Absolute 4-1/2" minimum clearance will ONLY allow for 90° door swing which will provide drawer / crisper access with restricted removal.*)
- To ensure optimum performance, avoid installing in direct sunlight or close proximity to range, dishwasher or other heat source.
- For proper ventilation, front grille MUST remain unobstructed.

- Recess electrical outlet when possible.
- Water recess on rear wall recommended to prevent water line damage.
- Water Pressure - Cold water line must provide between 30 and 100 pounds per square inch (psi).
- Copper tubing with 1/4" O.D. recommended for water supply line with length equal to distance from rear of unit to household water supply line plus 7 additional feet. Optional Water Supply Installation Kits available.
- Adjustable front rollers to assist with door alignment.

**“Built-In Look” Specifications**

- Minimum opening of 70-1/4" H x 33" W x 28-7/8" D required to allow for ease of installation, proper air circulation, and plumbing / electrical connections.
- Remove all wall / floor molding prior to installation.

**Note:** For planning purposes only. Refer to Product Installation Guide on the web at [frigidaire.com](http://frigidaire.com) for detailed instructions.