

PERFORMANCE DATA NO LOAD & NO DOOR OPENINGS AT MID-POINT CONTROL SETTING		
Capacitor Run or Induction Run	65°F (18°C) Ambient	90°F (32°C) Ambient
Operating Time	25 to 35%	45 to 55%
Freezer Temperature	2° to 8°F (-17° to -13°C)	0° to 5°F (-18° to -15°C)
Refrigerator Temperature	35° to 40°F (2° to 4°C)	35° to 40°F (2° to 4°C)
Low Side Pressure (cut-in)	8 to 16 psig (55 to 110 kPa)	8 to 16 psig (55 to 110 kPa)
Low Side Pressure (cut-out)	1 to 4 psig (7 to 28 kPa)	1 to 4 psig (7 to 28 kPa)
High Side Pressure (last 1/3 cycle)	110 to 120 psig (758 to 827 kPa)	150 to 175 psig (1034 to 1207 kPa)
Wattage (last 1/3 cycle)	140 to 185	140 to 185
Amps (running)	1.1 to 1.6	1.1 to 1.6
Base Voltage	115 vac (127 vac max)	115 vac (127 vac max)

DEFROST SPECIFICATIONS				
Cabinet Size	Thermostat		Heater	
	Cut-in	Cut-out	Watts	Ohms
18' & 21'	25°F (-4°C)	47°F (8°C)	375	35
14', 15' & 17'	25°F (-4°C)	47°F (8°C)	325	41

Mechanical Timer - Defrost 30 minutes every 10 hours of compressor run time.
Electronic Timer (ADC) - Defrost up to 24 minutes every 6-72 hours of compressor run time.

CONDENSER FAN MOTOR		
Watts	RPM	Amps
2.3	1100 CW Opposite Shaft	0.15 Running

ICE MAKER SPECIFICATIONS		
Electrical	115 vac (127 vac max)	60 Hertz
Thermostat	Opens at 48°F (9°C)	Closes at 15°F (-9°C)
Heater Voltage	165 vac	Models with Orange wire close at 8.96°F (-12.8°C)

ICE MAKER CONNECTOR PLUG CONNECTIONS		
Wire Number	Wire Color	Connects to:
1	Green / Yellow	Ground
2	Yellow	Water Valve
3	Black	Line
4	Light Blue	Neutral

SERVICE DATA SHEET

241588205

**STANDARD - AUTOMATIC DEFROST
TOP MOUNT FREEZER - R134a**

IMPORTANT SAFETY NOTE

The information provided herein is designed to assist qualified repair personnel only. Untrained persons should not attempt to make repairs due to the possibility of electrical shock. Disconnect power cord before servicing this appliance.

IMPORTANT
If any green grounding wires are removed during servicing, they must be returned to their original position and properly secured.

NOTE
Some products come equipped with an Electronic Defrost Control. To initiate defrost, depress the fresh food light switch 5 times in 6 seconds (light bulb must be working). To terminate defrost, depress the fresh food light switch 5 times in 6 seconds.

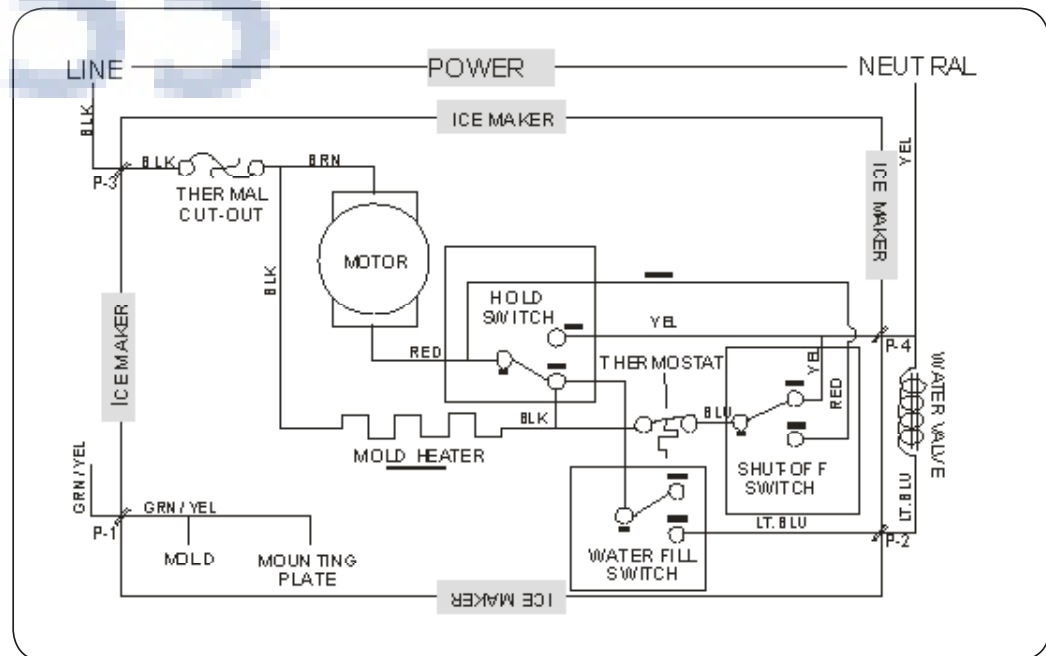
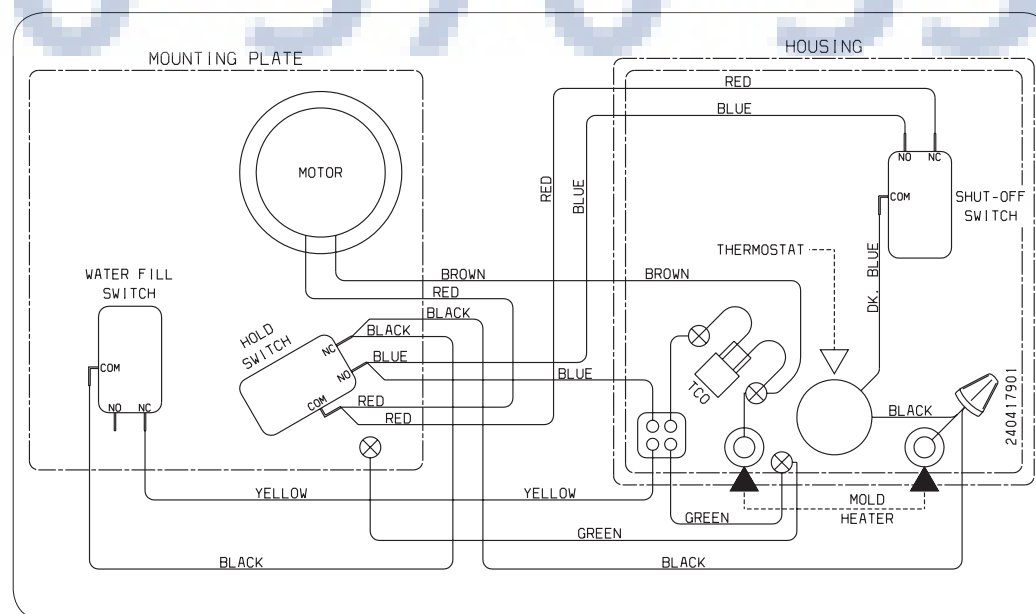
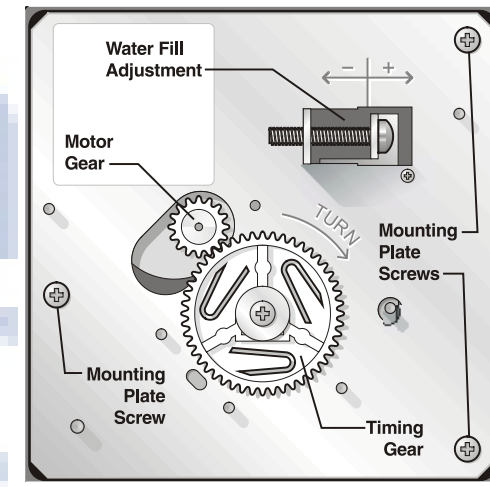
CAUTION
All electrical parts and wiring must be shielded from torch flame. DO NOT allow torch to touch insulation; it will char at 200°F and flash ignite (burn) at 500°F. Excessive heat will distort the plastic liner.

IMPORTANT
PLEASE RETURN THIS SHEET TO ITS ORIGINAL LOCATION.

ICE MAKER INFORMATION

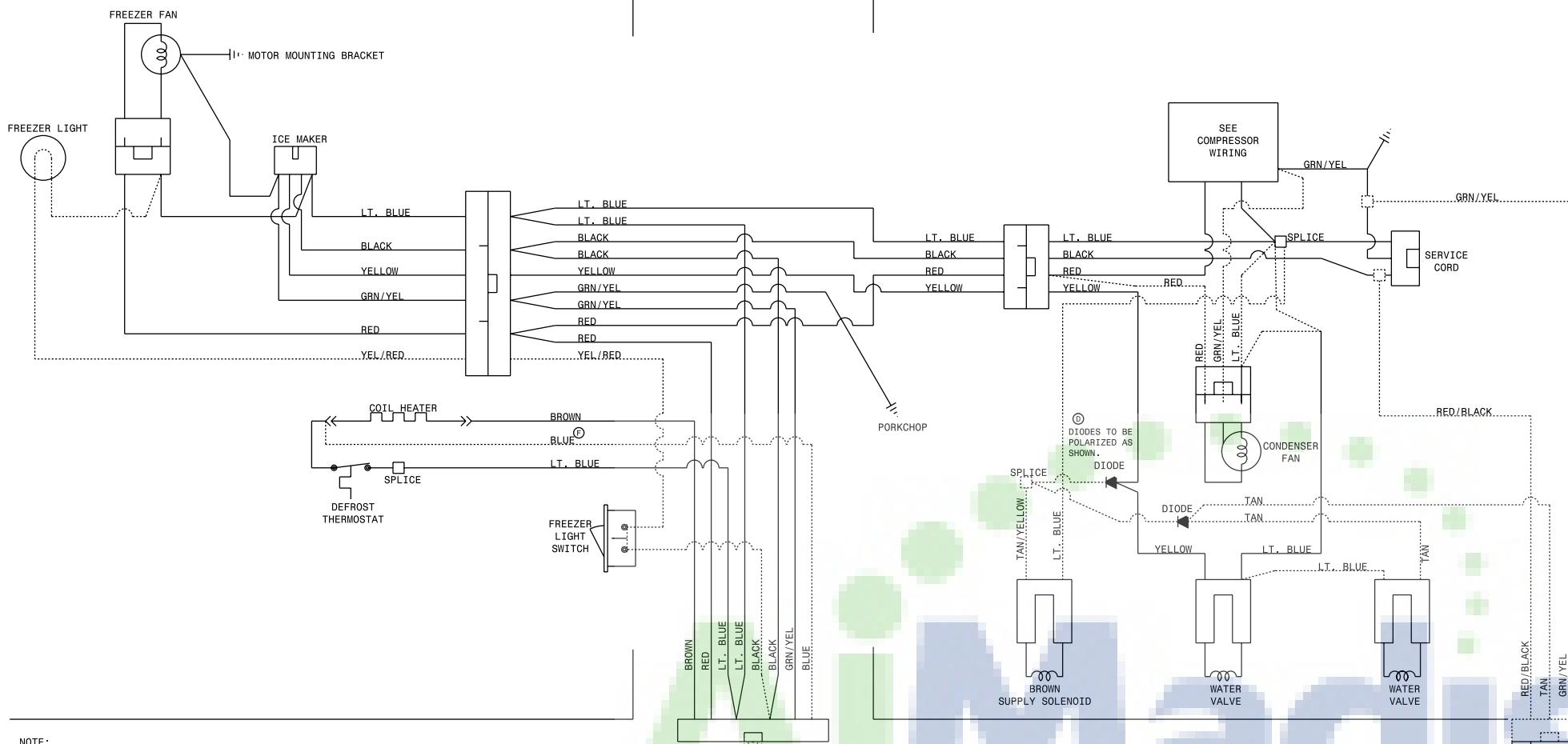
Test Cycling: Remove cover by inserting screwdriver in notch at bottom and prying cover from housing. Use screwdriver to rotate motor gear counterclockwise until holding switch circuit is completed. All components of ice maker should function to complete the cycle.

Water Fill Volume: The water fill adjustment screw will change the fill time. One full turn is equal to 20cc (.68 oz.). The correct fill is 95 to 105cc (3.2 to 3.6 oz.). When a water valve is replaced, the fill volume must be checked.

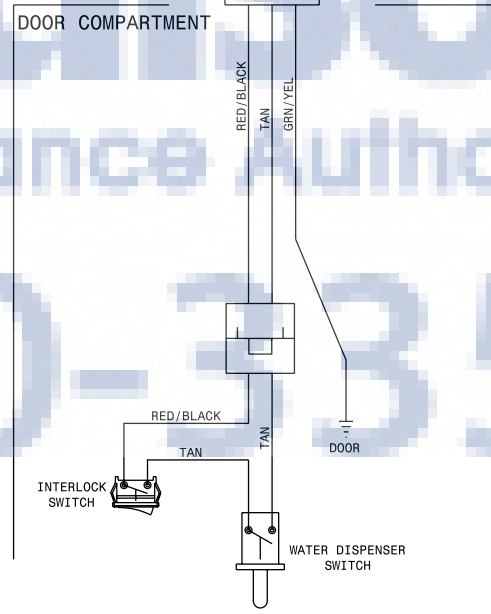
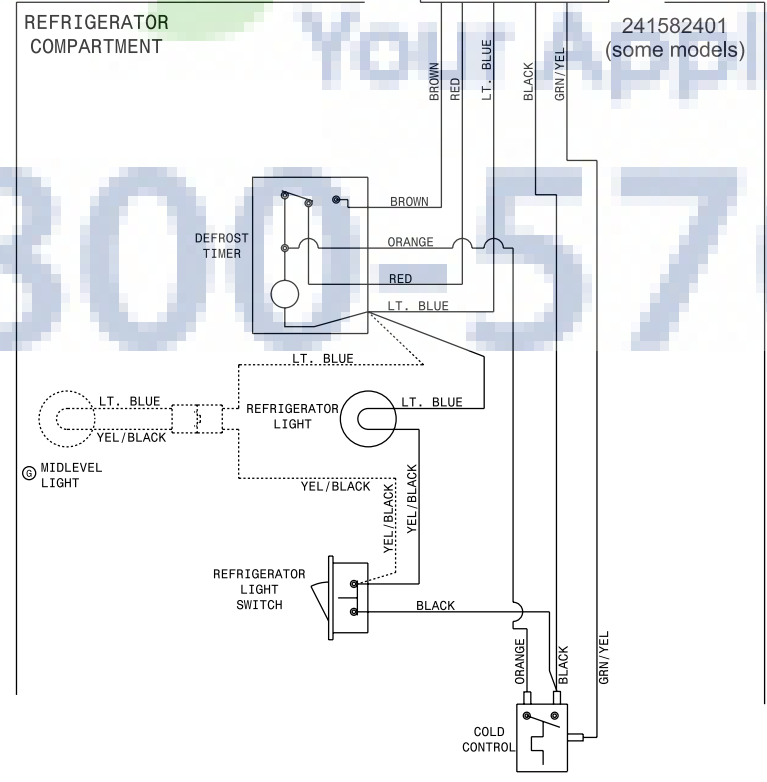
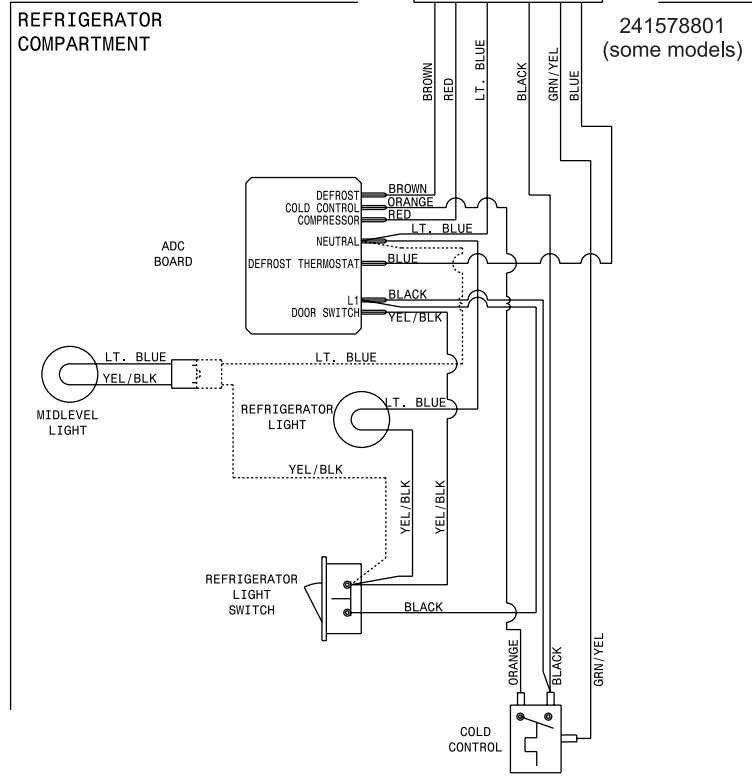
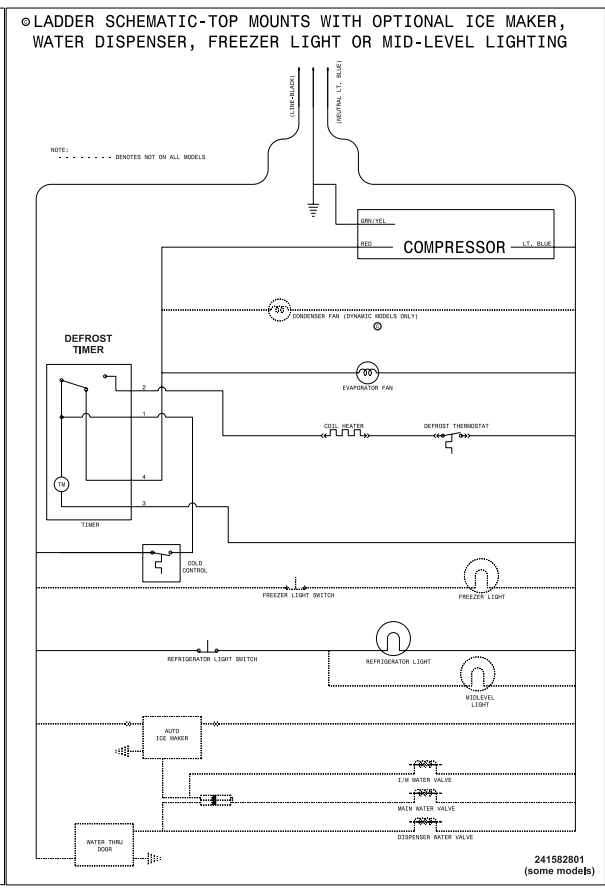
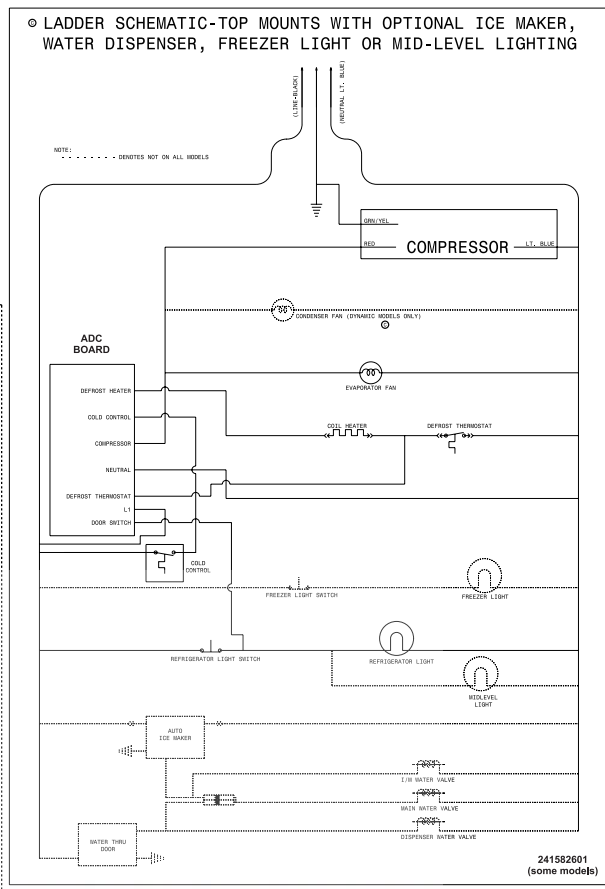


FREEZER COMPARTMENT

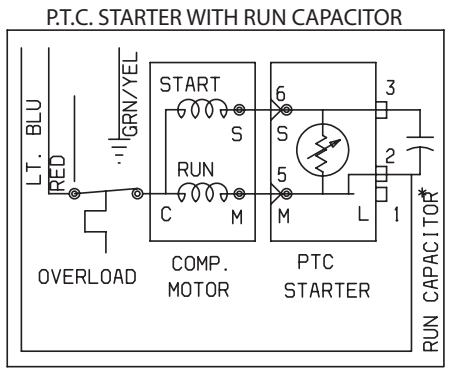
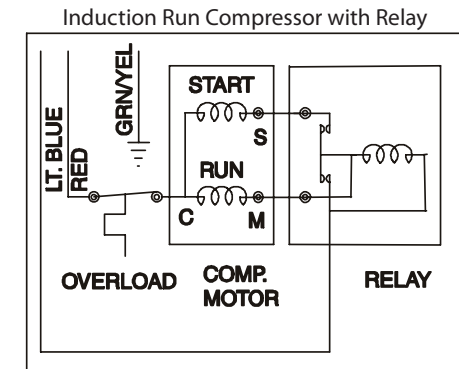
MACHINE COMPARTMENT



NOTE:
- - - - - DENOTES NOT ON ALL MODELS.



COMPRESSOR WIRING



* CAPACITOR IS ONLY USED WITH SOME P.T.C. MODELS.