

# Frigidaire



## Top Freezer Refrigerator

18.3 Cu. Ft. Top Freezer Refrigerator

FFHT1814WW, FFHT1814WB

Available Colors : White, Black

Version : 04/21

### Refrigerator

Crisper Color	Clear
Door Bin Color	White
Interior Lighting	LED
Shelf Material	Wire
Number of Adjustable Gallon Door Bins	1
Number of Fixed 2 Liter Door Bins	2
Number of Adjustable Shelves	2
Number of Crispers	2

### Freezer

Automatic Defrost	Yes
Door Bin Color	White
Shelf Material	Glass
Number of Fixed Door Bins	2
Number of Adjustable Shelves	1

### Ice Maker

Ice Maker Ready	Yes
-----------------	-----

### Controls

Control Location	Top Center of Fresh Food
------------------	--------------------------

### Exterior

Door Swing	Reversible
Door Finish	Textured

### Dimensions and Volume

Height With Hinge	66 3/8"
Height Without Hinge	65 7/8"
Width	30"
Width of Cabinet	30"
Depth of Cabinet	26 5/8"
Depth With Door	30 3/8"
Depth With Door 90° Open	57"
Depth With Door and Handle	30 3/8"

Fresh Food Capacity	13.4 Cu. Ft.
Freezer Capacity	4.9 Cu. Ft.
Total Capacity	18.3 Cu. Ft.

### Electrical Specifications

Amps @ 120 Volts	3 Amps
Minimum Circuit Required	15 Amps

### General Specifications

Annual Energy	369 kWh
Product Weight	153 lbs
Refrigerant Type	R-600A
Warranty - Labor	1 Year
Warranty - Parts	1 Year

### Certifications and Approvals

ADA Compliant	Yes
---------------	-----

### Performance Certifications and Approvals

ENERGY STAR Certified	Yes
-----------------------	-----

### Safety Certifications and Approvals

UL Listed	Yes
-----------	-----

Note: For planning purposes only. Always consult local and national electric, gas and plumbing codes.

Refer to Product Installation Guide for detailed installation instructions on the web at [frigidaire.com](http://frigidaire.com) / [frigidaire.ca](http://frigidaire.ca)

Specifications subject to change. Accessories information available on the web at [frigidaire.com](http://frigidaire.com) / [frigidaire.ca](http://frigidaire.ca)

USA • 10200 David Taylor Drive • Charlotte, NC 28262 • 1-800-FRIGIDAIRE • [frigidaire.com](http://frigidaire.com)

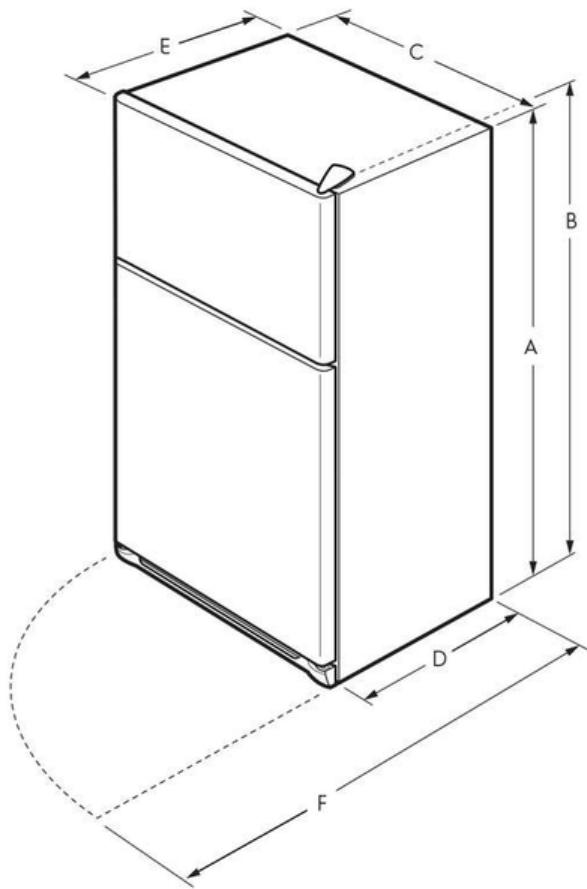
CANADA • 5855 Terry Fox Way • Mississauga, ON L5V 3E4 • 1-800-265-8352 • [frigidaire.ca](http://frigidaire.ca)

# Frigidaire

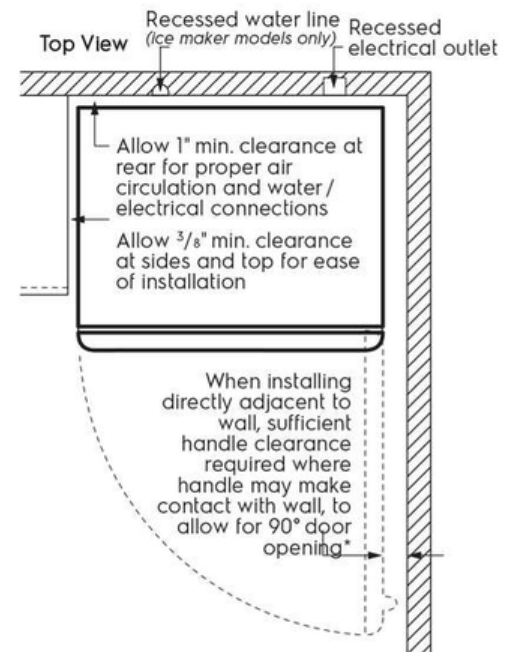
18.3 Cu. Ft. Top Freezer Refrigerator

FFHT1814WW, FFHT1814WB

Version : 04/21



A	65 <sup>7</sup> / <sub>8</sub> "
B	66 <sup>3</sup> / <sub>8</sub> "
C	30"
D	26 <sup>5</sup> / <sub>8</sub> "
E	30 <sup>3</sup> / <sub>8</sub> "
F	57"



\* When installing refrigerator adjacent to wall, cabinet or other appliance that extends beyond front edge of unit, 20" minimum clearance recommended to allow for optimum 140° door swing, providing complete crisper access and removal. (Absolute 3" minimum clearance will ONLY allow for 90° door swing which will provide limited crisper access with restricted removal.)

Note: For planning purposes only. Always consult local and national electric, gas and plumbing codes.

Refer to Product Installation Guide for detailed installation instructions on the web at [frigidaire.com](http://frigidaire.com) / [frigidaire.ca](http://frigidaire.ca)

Specifications subject to change. Accessories information available on the web at [frigidaire.com](http://frigidaire.com) / [frigidaire.ca](http://frigidaire.ca)

USA • 10200 David Taylor Drive • Charlotte, NC 28262 • 1-800-FRIGIDAIRE • [frigidaire.com](http://frigidaire.com)

CANADA • 5855 Terry Fox Way • Mississauga, ON L5V 3E4 • 1-800-265-8352 • [frigidaire.ca](http://frigidaire.ca)