



# FRIGIDAIRE

## Factory Parts Catalog

<b>Product No.</b>	<b>FFHT1814VB0</b>	<b>FFHT1814VW0</b>
<b>Series</b>	E-Star	E-Star
<b>Color</b>	black	white
<b>Volts</b>	115	115
<b>Wiring Diagram</b>	A15972201	A15972201
<b>Owner's Guide</b>	A13110303	A13110303
<b>Market</b>	North America	North America
<b>Energy Guide</b>	A06191441	A06191441
<b>Service Data Sheet</b>	A16319701	A16319701
<b>Installation Instructions</b>	A14328801	A14328801
<b>Optional Ice Maker</b>	IM117000	IM117000

### Frigidaire

P.O. BOX 8020  
CHARLOTTE, NC 28262

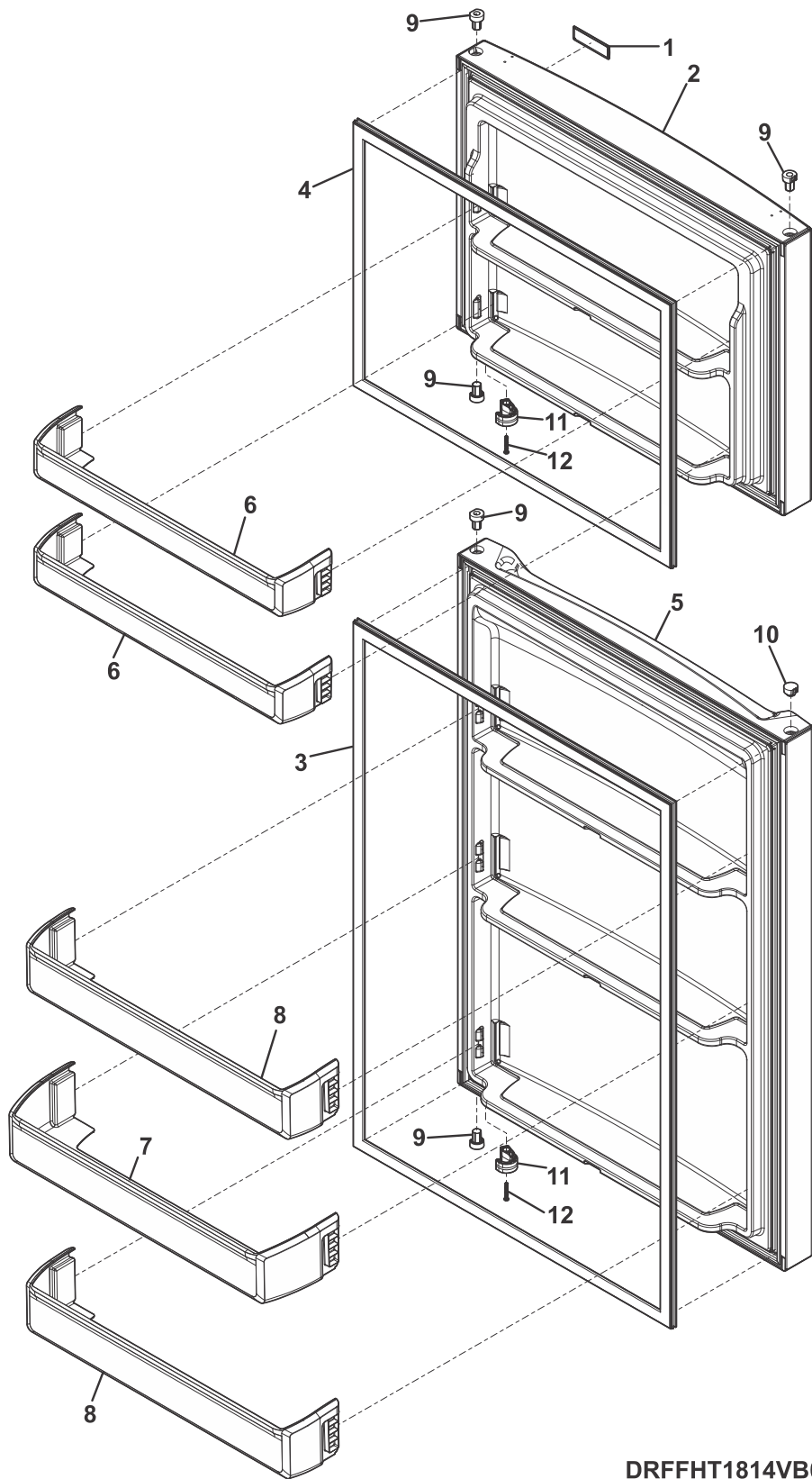
**This Publication Replaces  
Publication # 5995715843**

Publication No.  
**5995718268**  
19/10/17  
(EN/SERVICE/ECL)  
390

### TOP-MOUNT REFRIGERATOR

Model No.  
FFHT1814V

DOOR



DRFFHT1814VB0

---

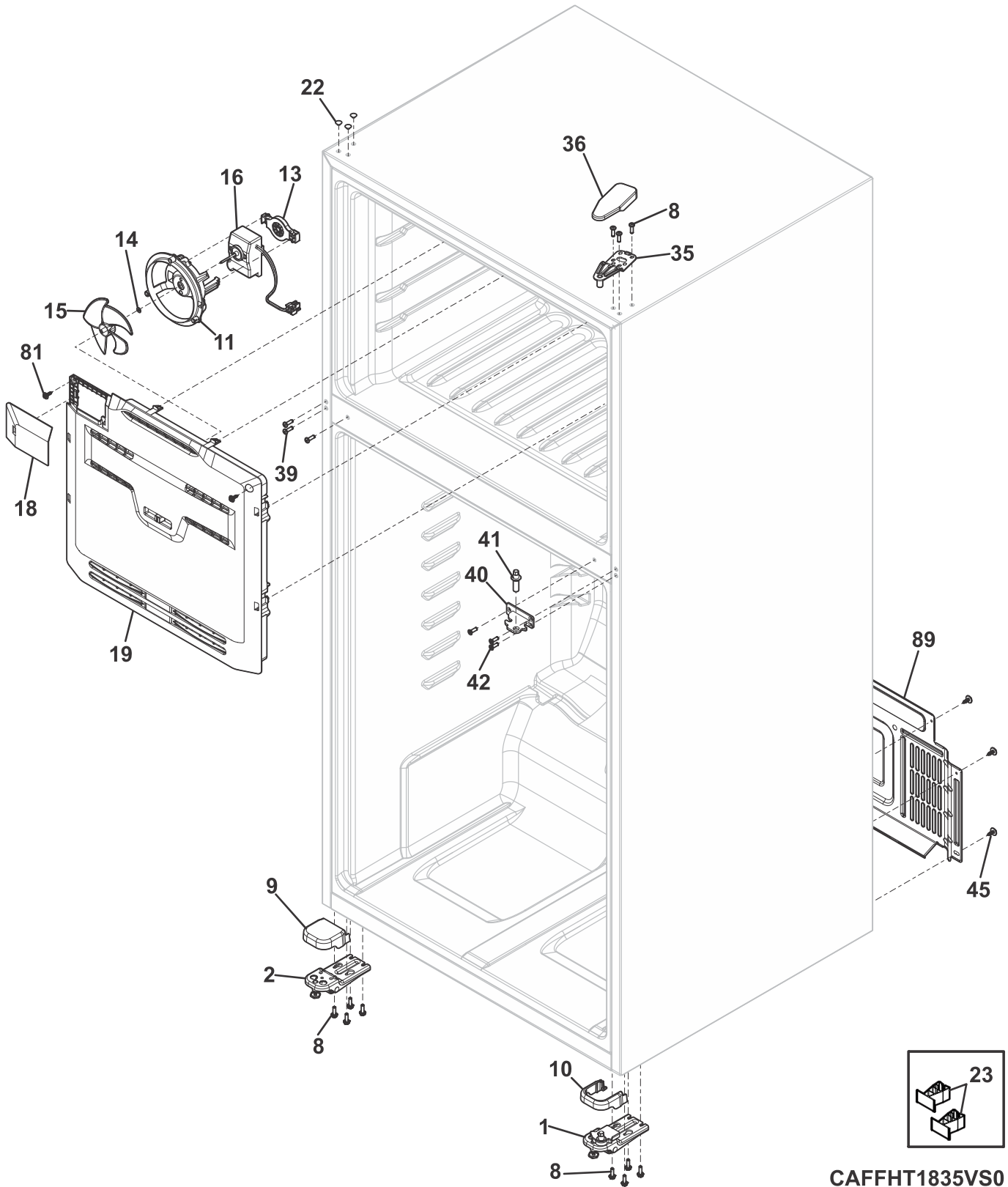
**DOOR**


---

*Model Index:*    **A** FFHT1814V (FFHT1814VB0)  
                               **B** FFHT1814V (FFHT1814VW0)

<b>POS. NO</b>	<b>PART NO.</b>		<b>DESCRIPTION</b>
1	5304511145	A -	Badge, Frigidaire, black
1	5304511144	- B	Badge, Frigidaire, white
2	5304522117	A -	Door Assembly, freezer, black
2	5304519700	- B	Door Assembly, freezer, white
3 #	5304522312	A -	Gasket, door, black, refrigerator
3 #	5304523138	- B	Gasket, door, gray, refrigerator
4 #	5304522313	A -	Gasket, door, black, freezer
4 #	5304523139	- B	Gasket, door, gray, freezer
5	5304522120	A -	Door Assembly, refrigerator, black
5	5304519701	- B	Door Assembly, refrigerator, white
6	5304519702	A B	Bin, door, white, freezer
7	5304522123	A B	Bin, door, 6", white, refrigerator
8	5304519703	A B	Bin, door, 4", white, refrigerator
9	5304522193	A -	Bearing, hinge, black
9	5304519757	- B	Bearing, hinge, white
10	5304522186	A -	Cover, hinge bearing, black
10	5304519747	- B	Cover, hinge bearing, white
11	5304522237	A -	Hook, door closer, black
11	5304519789	- B	Hook, door closer, white
12	241953905	A B	Screw, 8-18 X 1.25

**CABINET**



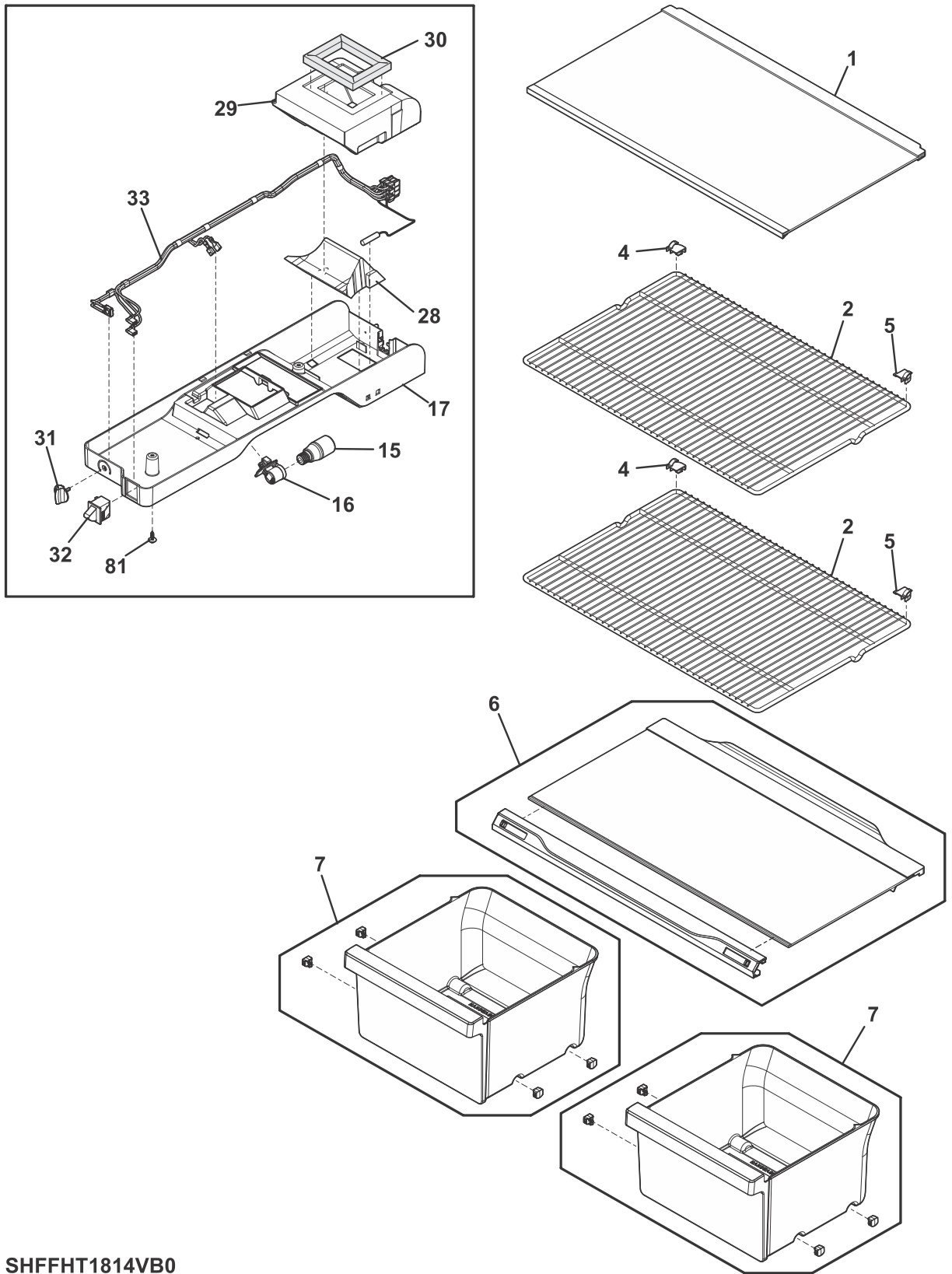
**CAFFHT1835VS0**

**CABINET**

Model Index: **A** FFHT1814V (FFHT1814VB0)  
**B** FFHT1814V (FFHT1814VW0)

POS. NO	PART NO.		DESCRIPTION
1	5304522218	A -	Hinge Assembly, bottom, black, RH, w/pin-closer
1	5304519775	- B	Hinge Assembly, bottom, white, RH, w/pin-closer
2	5304519776	A B	Hinge Assembly, bottom, LH
8	5304522279	A B	Screw, hex wsh hd quad, M5 x 16
9	5304522220	A -	Cover, hinge, black, lower, non hinged
9	5304519777	- B	Cover, hinge, white, lower, non hinged
10	5304522245	A -	Cover, hinge side, black, lower
10	5304522244	- B	Cover, hinge side, white, lower
11	5304519752	A B	Shroud, evaporator fan
13	242287501	A B	Grommet, evaporator fan, rear
14	215474201	A B	Washer, "slinger", nylon, evap fan shaft
15	242219302	A B	Fan Blade, evaporator
16 #	242219206	A B	Motor, evaporator fan, blower
18	5304519662	A B	Cover, I/M Connector
19	5304519654	A B	Cover Assembly, evaporator, w/frz slide
22	215774918	A -	Plug, button, black, upr hinge holes
22	215774901	- B	Plug, button, white, upr hinge holes
23	5304523302	A B	Clip, wiring harness
35	5304519646	A B	Hinge, door, upper
36	5304520521	A -	Cover, upper hinge, black
36	5304519784	- B	Cover, upper hinge, white
39	5304522252	A -	Screw, pan hd qdrx tri, M5 x 12, black
39	5304519797	- B	Screw, pan hd qdrx tri, M5 x 12
40	5304522099	A -	Hinge, door, black, center
40	5304519647	- B	Hinge, door, white, center
41	5304519642	A B	Pin, center hinge, door
42	5304522281	A -	Screw, flt hd qdrx, M5 x 16, black
42	5304522280	- B	Screw, flt hd qdrx, M5 x 16, white
45	241500304	A B	Screw, hex washer head, 8-18AB x 0.625
81	5304519765	A B	Screw, hx wash hd, M4.2 x 12
89	5304522114	A B	Access Cover, rear

**SHELVES**



**SHFFHT1814VB0**

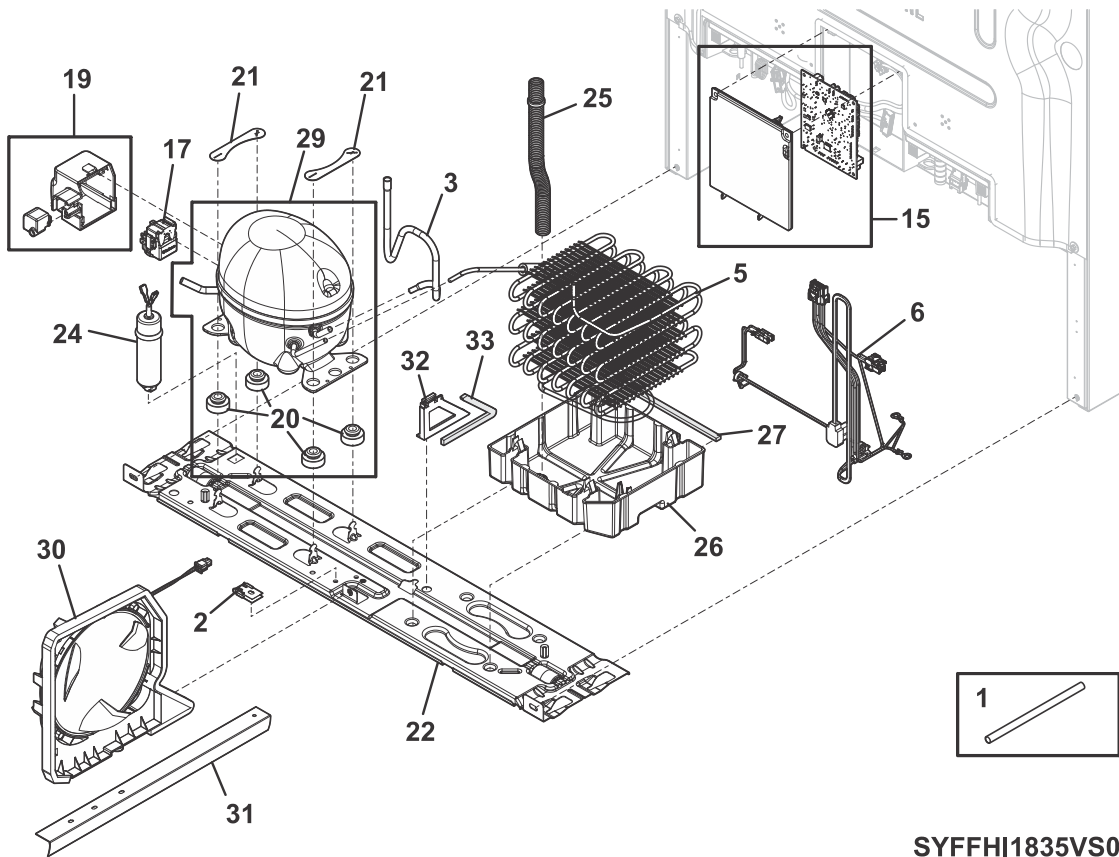
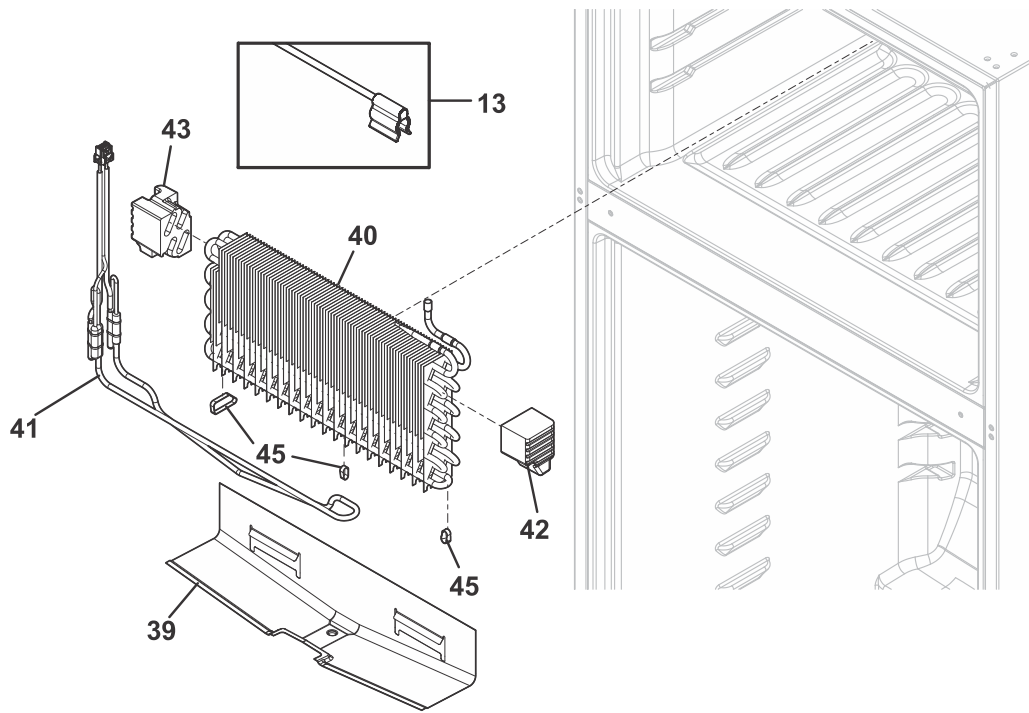
## SHELVES

---

*Model Index:*    **A** FFHT1814V (FFHT1814VB0)  
                           **B** FFHT1814V (FFHT1814VW0)

<b>POS. NO</b>	<b>PART NO.</b>		<b>DESCRIPTION</b>
1	5304519660	A B	Shelf Assembly, freezer, glass, w/trim
2	5304519652	A B	Shelf, sliding, wire, refrigerator
4	5304522258	A B	Clip, wire shelf, LH
5	5304522259	A B	Clip, wire shelf, RH
6	5304519729	A B	Cover Assembly, crisper, glass, w/trim
7	5304519801	A B	Pan Assembly, crisper, w/sliders
15	5304522314	A B	BULB, light, E17/12 LED
16 #	5304522315	A B	Socket, LED light
17	5304522316	A B	Housing, control box
28	5304522317	A B	Diffuser, control box, bottom
29	5304522318	A B	Diffuser, control box, top
30	5304520493	A B	Seal, air duct, top
31	5304522319	A B	Knob, control
32 #	5304520495	A B	Switch, door/light, white
33 #	5304522320	A B	Harness, wiring, control box, w/temp sensor
81	5304519765	A B	Screw, hx wash hd, M4.2 x 12

**SYSTEM**



**SYFFHI1835VS0**

## SYSTEM

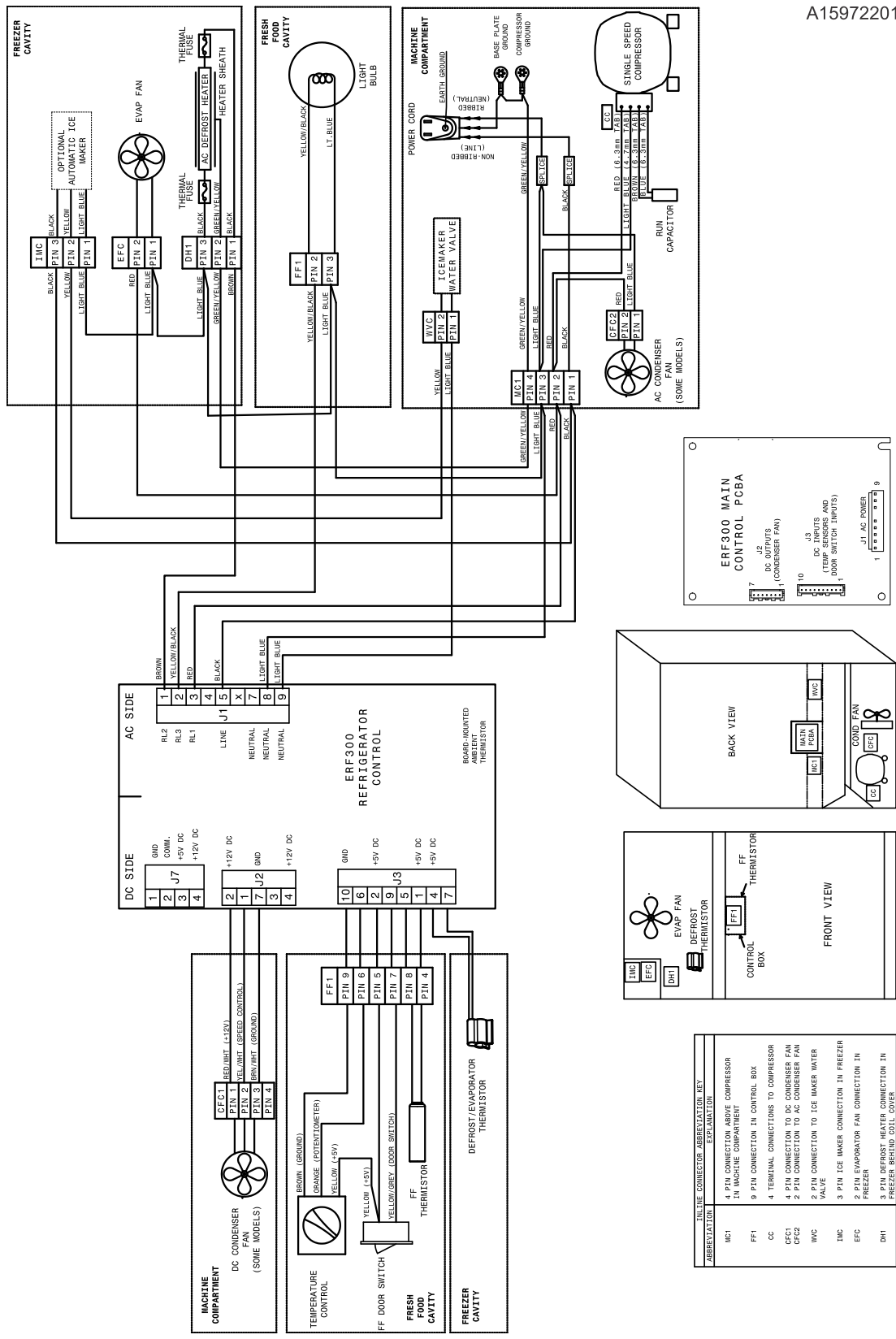
---

*Model Index:*    **A** FFHT1814V (FFHT1814VB0)  
                           **B** FFHT1814V (FFHT1814VW0)

POS. NO	PART NO.		DESCRIPTION
1 #	5304522289	A B	Tube, process
2	5304456288	A B	Clamp, wiring harness, galv steel, strn relief
3 #	5304522111	A B	Tube, suction jumper
5 #	5304519669	A B	Condenser, dynamic
6 #	5304519649	A B	Harness, wiring, machine compt.
13 #	5303918645	A B	Thermistor kit, evaporator, w/connector
15 #	5304522211	A B	PC Board, assembly, main, w/housing
17 #	5304522269	A B	Starter, compressor, TSD 2.1
19	5304522311	A B	Cover, electricals, compressor
20	5304522323	A B	Grommet, compressor
21	811998601	A B	Clamp, compressor, 2 hole
22	5304519667	A B	Base Assembly, compressor, w/rollers
24 #	5304522105	A B	Capacitor, run, 12uF
25	5304519743	A B	Tube, drain extension
26	5304519674	A B	Pan, drain
27	5304519750	A B	Seal, foam, drain pan
29 #	5304522265	A B	Compressor, assembly, w/grommets
30 #	5304522173	A B	Fan Assembly, condenser, w/shroud-foam
31	5304519668	A B	Baffle, divider, high side
32	5304519745	A B	Baffle, drain pan, air block
33	5304519751	A B	Seal, foam, air block
39	5304519679	A B	Trough, evap drain
40 #	5304522324	A B	Evaporator, assembly
41 #	5304522325	A B	Heater, defrost
42	5304522326	A B	Support, evaporator, RH
43	5304522327	A B	Support, evaporator, LH
45	5308000110	A B	Strap-evap/heater, aluminum, (2)
*	240433204	A B	Screw, hex washer head, 8-18 x 5/16
*	241500304	A B	Screw, hex washer head, 8-18AB x 0.625

WIRING DIAGRAM

A15972201



ABBREVIATION	WIRING CONNECTION	EXPLANATION
IMC	4	PIN CONNECTION ABOVE COMPRESSOR IN MACHINE COMPARTMENT
FF1	9	PIN CONNECTION IN CONTROL BOX
CC	4	TERMINAL CONNECTION TO COMPRESSOR
CF1	4	PIN CONNECTION TO DC CONDENSER FAN
CF2	2	PIN CONNECTION TO AC CONDENSER FAN
WVC	2	PIN CONNECTION TO ICE MAKER WATER VALVE
IMC	3	PIN ICE MAKER CONNECTION IN FREEZER
EFC	2	PIN EVAPORATOR FAN CONNECTION IN FREEZER
DHT	3	PIN DEFROST HEATER CONNECTION IN FREEZER BEHIND ICE COVER