



# Top Mount Refrigerators

FFHT1513L S/W/B/Q

15 Cu. Ft. Top Mount



## Product Dimensions

|                                     |         |
|-------------------------------------|---------|
| Height (Including Hinges & Rollers) | 60-1/8" |
| Width                               | 28"     |
| Depth (Including Door)              | 29-3/8" |

## More Easy-To-Use Features

### Half-Width Freezer Shelf

### Bright Lighting

Our bright lighting makes it easy to see what's inside.

### Attractive Stainless Steel Exterior<sup>1</sup>

### White Dairy Door

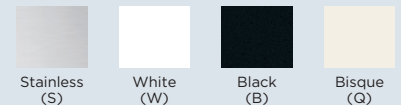
### Reversible Door

Door can be installed to open left or right based on your needs.

A.D.A. Compliant<sup>2</sup>  
ENERGY STAR®



## Available in:



<sup>1</sup>Select models only.

<sup>2</sup>When properly installed, meets the appliance standards in the Americans with Disabilities Act and the Architectural Barriers Act Accessibility Guidelines as published by the United States Access Board on June 23, 2004, as amended August 5, 2005.

## Signature Features

### SpaceWise® Adjustable Wire Shelves

Easily adjust shelves up and down to create more space for taller items.

### Store-More™ Humidity-Controlled Crisper Drawers

Keep your fruits and vegetables fresh in our humidity-controlled crisper drawers.

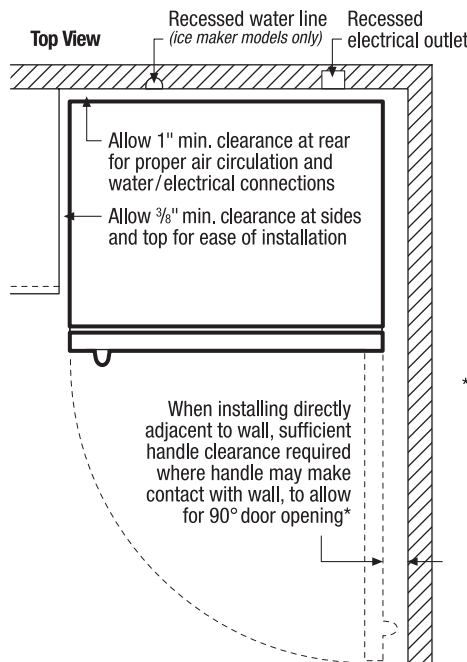
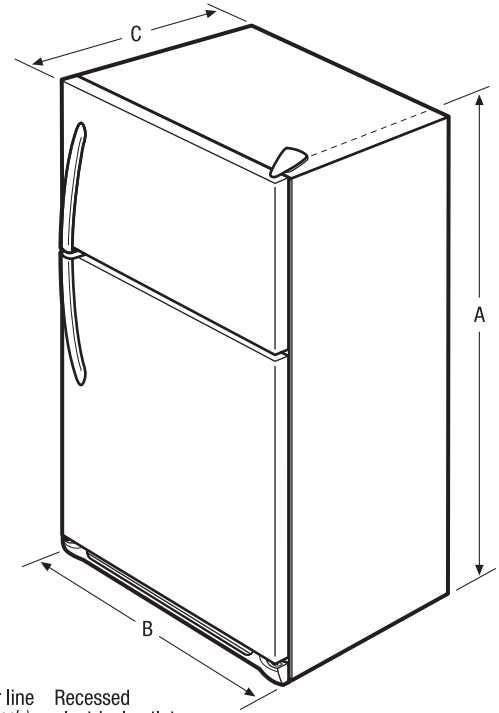
### Store-More™ Gallon Door Shelf

Door storage gives you room for larger items like a gallon of milk.

### Full-Width Freezer Racks

Gives you more usable door space for accessibility.

| Features  |  |
|---|--|
| Door Design   | Square                                   |
| Door Handle Design                                  | Black (S), Color-Coordinated (W/B/Q)     |
| Cabinet Finish (Textured)                           | Black (S), Color-Coordinated (W/B/Q)     |
| Door Stops  | Yes                                      |
| Door Hinge Covers                                   | Black (S), Color-Coordinated (W/B/Q)     |
| Door Reverse Option                                 | Yes                                      |
| Left-Swing Door                                     |  |
| Rollers - Front/Rear                                | Fixed/Yes                                |
| Sound Package                                       |  |
| Toe Grille  | Black (S), Color-Coordinated (W/B/Q)     |
| Refrigerator Features                               |  |
| Interior Lighting                                   | Bright                                   |
| Refrigerator Shelves                                | 2 Sliding SpaceWise® Adjustable Wire     |
| Cool Zone™ Drawer                                   |  |
| Wine/Can Rack                                       |  |
| Store-More™ Crisper Drawers                         | 2 White                                  |
| Humidity Controls                                   | 2  |
| Dairy Compartment                                   | White Dairy Door                         |
| Door Bins   |  |
| Door Racks  | 2 Full-Width White<br>1 Half-Width White |
| Non-Slip Bin Liner                                  |  |
| Tall Bottle Retainers                               |  |
| Gallon Door Storage                                 | 1  |
| Freezer Features                                    |  |
| Door Bins   |  |
| Door Racks  | 2 Full-Width White                       |
| Freezer Shelves                                     | 1 Half-Width Wire                        |
| Factory Ice Maker w/ Large Ice Bin                  | Optional (PN# IM115)                     |
| Lighting  |  |
| Certifications                                      |  |
| A.D.A. Compliant <sup>1</sup>                       | Yes                                      |
| ENERGY STAR®  | Yes                                      |
| Specifications                                      |  |
| Total Capacity (Cu. Ft.)                            | 14.8                                     |
| Refrigerator Capacity (Cu. Ft.)                     | 11.01                                    |
| Freezer Capacity (Cu. Ft.)                          | 3.74                                     |
| Power Supply Connection Location                    | Right Bottom Rear                        |
| Water Inlet Connection Location                     | Bottom Right                             |
| Voltage Rating                                      | 120V / 60Hz / 15 or 20A                  |
| Connected Load (kW Rating) @ 120 Volts <sup>2</sup> | .54                                      |
| Amps @ 120 Volts                                    | 4.5                                      |
| Minimum Circuit Required (Amps)                     | 15                                       |
| Shipping Weight (Approx.)                           | 175 Lbs.                                 |



\*When installing refrigerator adjacent to wall, cabinet or other appliance that extends beyond front edge of unit, 20" minimum clearance recommended to allow for optimum 140° door swing, providing complete crisper access and removal. (Absolute 3" minimum clearance will ONLY allow for 90° door swing which will provide limited crisper access with restricted removal.)

<sup>1</sup>When properly installed, meets the appliance standards in the Americans with Disabilities Act and the Architectural Barriers Act Accessibility Guidelines as published by the United States Access Board on June 23, 2004, as amended August 5, 2005.

<sup>2</sup>For use on adequately wired 120V, dedicated circuit having 2-wire service with a separate ground wire. Appliance must be grounded for safe operation.

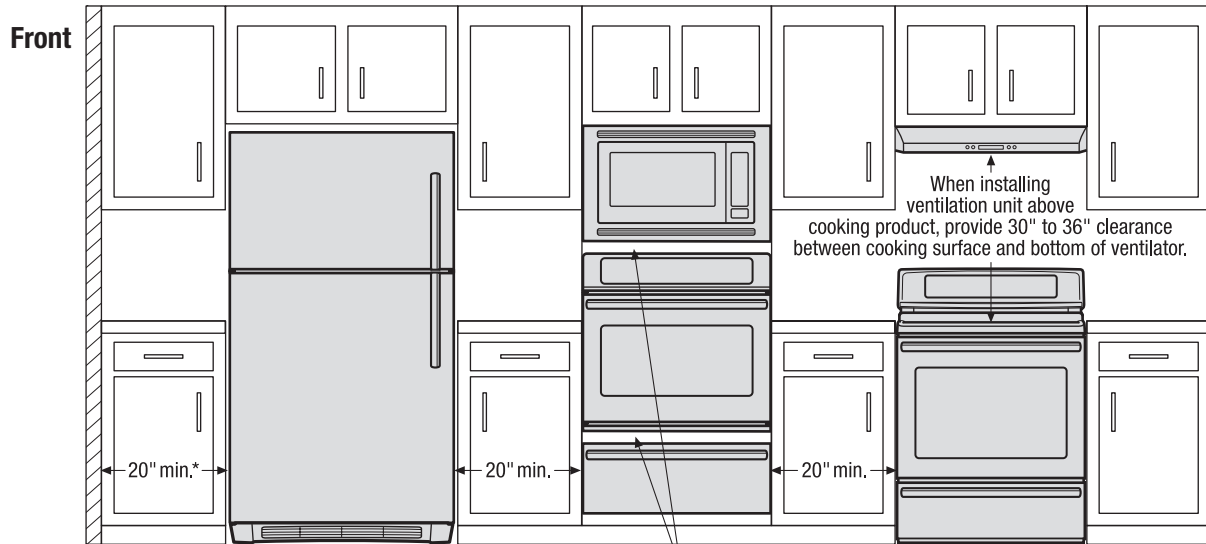
NOTE: For planning purposes only. Always consult local and national electric and plumbing codes. Refer to Product Installation Guide for detailed installation instructions on the web at [frigidaire.com](http://frigidaire.com).



| Product Dimensions                    |         |
|---------------------------------------|---------|
| A - Height (Incl. Hinges and Rollers) | 60-1/8" |
| B - Width                             | 28"     |
| C - Depth (Incl. Door)                | 29-3/8" |
| Depth with Door Open 90°              | 56"     |

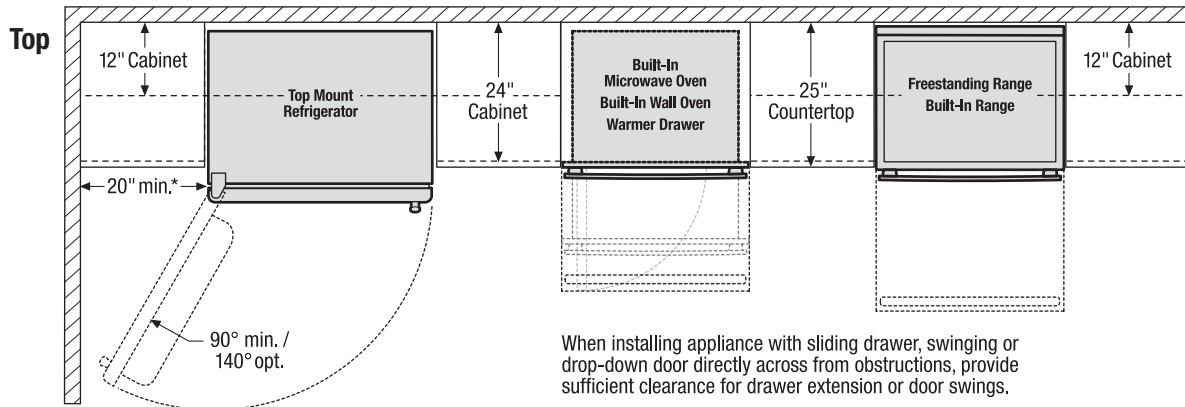
Accessories information available on the web at [frigidaire.com](http://frigidaire.com)

Use these dimensions and clearance instructions for planning purposes only. For detailed installation instructions, refer to installation guide, packed with product, or on the web at frigidaire.com.



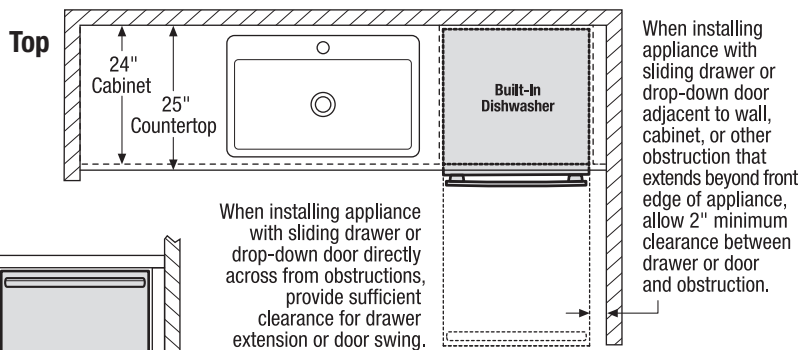
When installing appliances adjacent to each other, 20" minimum distance between each appliance required.

When installing built-in cooking appliances in combination, 2" minimum visible gap between appliance faceplates required.



When installing appliance with sliding drawer, swinging or drop-down door directly across from obstructions, provide sufficient clearance for drawer extension or door swings.

\*When installing refrigerator adjacent to wall, cabinet or other appliance that extends beyond front edge of unit, 20" minimum clearance recommended to allow for optimum 140° door swing, providing complete crisper access and removal. (Absolute 3" minimum clearance will ONLY allow for 90° door swing which will provide limited crisper access with restricted removal.)



When installing appliance with sliding drawer or drop-down door directly across from obstructions, provide sufficient clearance for drawer extension or door swing.

