



# Top Mount Refrigerators

FFHI2126L S/K<sup>1</sup>/W/B

21 Cu. Ft. Top Mount



## Product Dimensions

Height (Including Hinges & Rollers)	69"
Width	30"
Depth (Including Door)	31-3/4"

## More Easy-To-Use Features

### Factory Ice Maker

### Full-Width Freezer Shelf

Gives you more usable space to organize and store more.

### Full-Width Freezer Bins

Gives you more usable door space for accessibility.

### Bright Lighting

Our bright lighting makes it easy to see what's inside.

### Cool Zone™ Drawer

Conveniently located in the fresh food section, the Cool Zone™ Drawer is ideal for deli meats, cheeses and sandwich fixings or any food items that are frequently used.

### Clear Dairy Door

### Attractive Stainless Steel Exterior<sup>2</sup>

### Available in Stainless Steel Left-Swing Door

### Reversible Door<sup>2</sup>

Door can be installed to open left or right based on your needs.



ENERGY STAR®

### Available in:



Stainless  
(S/K')

White  
(W)

Black  
(B)

<sup>1</sup>Left-Swing Door.

<sup>2</sup>Select models only.

## Signature Features

### SpillSafe® Adjustable Glass Shelves

Designed to keep spills contained, making cleanup a breeze.

### Store-More™ Humidity-Controlled Crisper Drawers

Keep your fruits and vegetables fresh in our humidity-controlled crisper drawers.

### Store-More™ Capacity

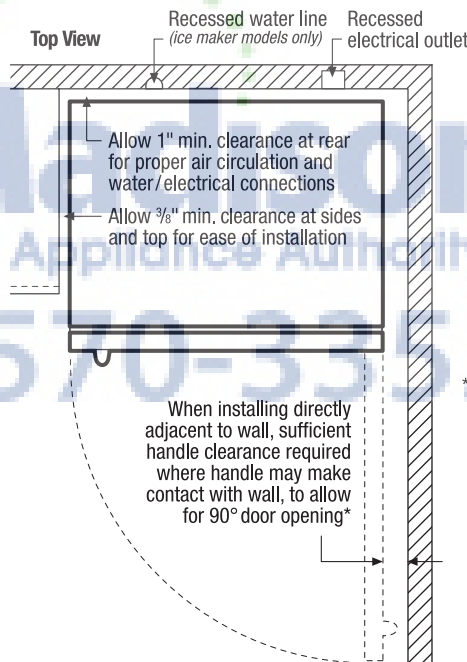
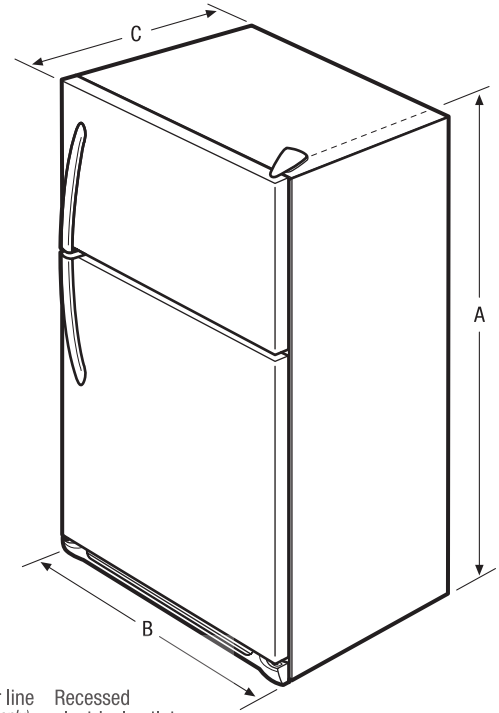
Our large capacity refrigerator gives you room to store more.

### Store-More™ Gallon Door Shelf

Door storage gives you room for larger items like a gallon of milk.

Features	
Door Design	UltraSoft™
Door Handle Design	Stainless Steel (S / K), Color-Coordinated (W/B)
Cabinet Finish (Textured)	Black (S/K), Color-Coordinated (W/B)
Door Stops	Yes
Door Hinge Covers	Black (S / K), Color-Coordinated (W / B)
Door Reverse Option	No (S / K), Yes (W / B)
Left-Swing Door	Yes (K Model Only)
Rollers - Front/Rear	Adjustable / Yes
Sound Package	
Toe Grille	Black (S / K), Color-Coordinated (W / B)
Refrigerator Features	
Interior Lighting	Bright
Refrigerator Shelves	2 Sliding SpillSafe® Adjustable Glass
Cool Zone™ Drawer	Clear
Wine/Can Rack	
Store-More™ Crisper Drawers	2 Clear
Humidity Controls	2
Dairy Compartment	Clear Dairy Door
Door Bins	3 Full-Width White
Door Racks	
Non-Slip Bin Liner	
Tall Bottle Retainers	
Gallon Door Storage	2
Freezer Features	
Door Bins	2 Full-Width White
Door Racks	
Freezer Shelves	1 Full-Width
Factory Ice Maker w/ Large Ice Bin	Included (PN# IM115)
Lighting	
Certifications	
ENERGY STAR®	Yes
Specifications	
Total Capacity (Cu. Ft.)	20.6
Refrigerator Capacity (Cu. Ft.)	15.35
Freezer Capacity (Cu. Ft.)	5.25
Power Supply Connection Location	Right Bottom Rear
Water Inlet Connection Location	Bottom Right
Voltage Rating	120V / 60Hz / 15 or 20A
Connected Load (kW Rating) @ 120 Volts¹	54
Amps @ 120 Volts	4.5
Minimum Circuit Required (Amps)	15
Shipping Weight (Approx.)	220 Lbs.

¹For use on adequately wired 120V, dedicated circuit having 2-wire service with a separate ground wire. Appliance must be grounded for safe operation.



\* When installing refrigerator adjacent to wall, cabinet or other appliance that extends beyond front edge of unit, 20" minimum clearance recommended to allow for optimum 140° door swing, providing complete crisper access and removal. (Absolute 3" minimum clearance will ONLY allow for 90° door swing which will provide limited crisper access with restricted removal.)

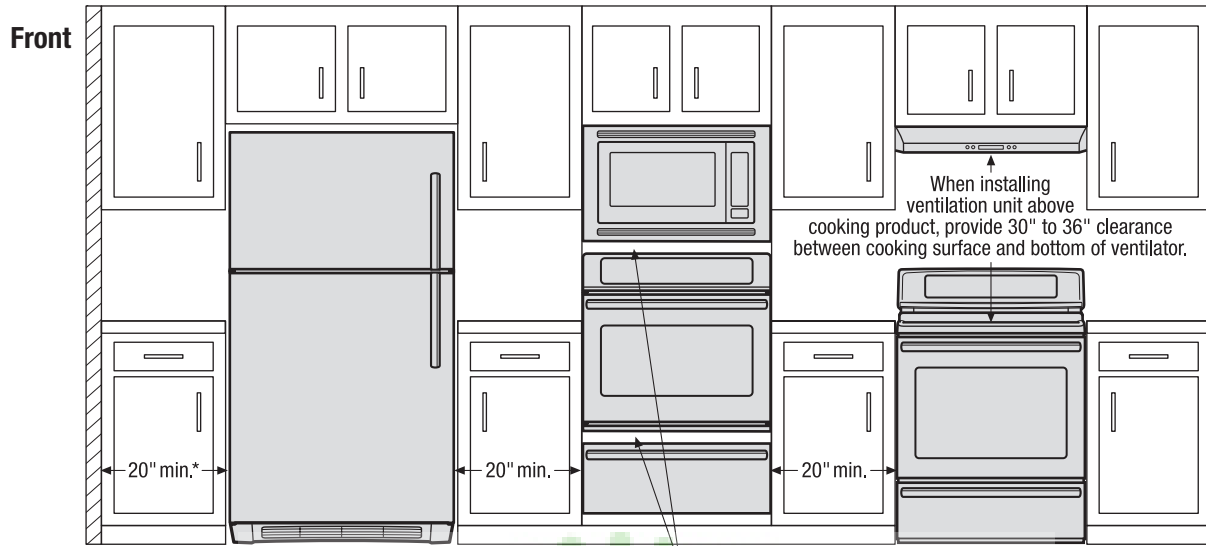
NOTE: For planning purposes only. Always consult local and national electric and plumbing codes. Refer to Product Installation Guide for detailed installation instructions on the web at [frigidaire.com](http://frigidaire.com).



Product Dimensions	
A - Height (Incl. Hinges and Rollers)	69"
B - Width	30"
C - Depth (Incl. Door)	31-3/4"
Depth with Door Open 90°	60"

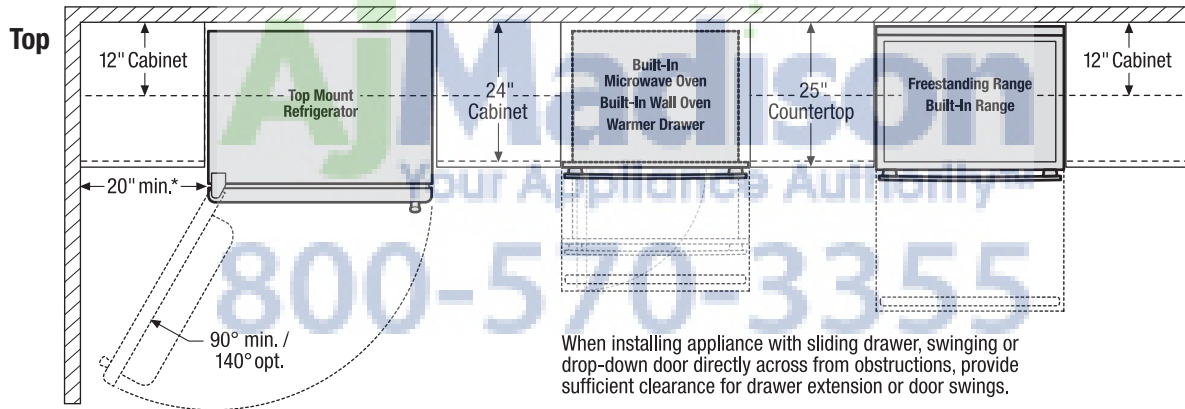
Accessories information available on the web at [frigidaire.com](http://frigidaire.com)

Use these dimensions and clearance instructions for planning purposes only. For detailed installation instructions, refer to installation guide, packed with product, or on the web at [frigidaire.com](http://frigidaire.com).



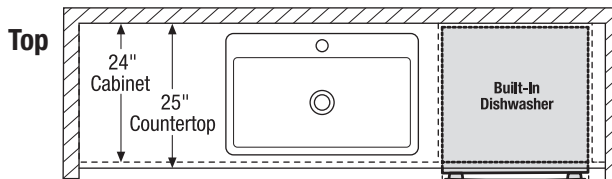
When installing appliances adjacent to each other, 20" minimum distance between each appliance required.

When installing built-in cooking appliances in combination, 2" minimum visible gap between appliance faceplates required.



When installing appliance with sliding drawer, swinging or drop-down door directly across from obstructions, provide sufficient clearance for drawer extension or door swings.

\*When installing refrigerator adjacent to wall, cabinet or other appliance that extends beyond front edge of unit, 20" minimum clearance recommended to allow for optimum 140° door swing, providing complete crisper access and removal. (Absolute 3" minimum clearance will ONLY allow for 90° door swing which will provide limited crisper access with restricted removal.)



When installing appliance with sliding drawer or drop-down door adjacent to wall, cabinet, or other obstruction that extends beyond front edge of appliance, allow 2" minimum clearance between drawer or door and obstruction.

When installing appliance with sliding drawer or drop-down door directly across from obstructions, provide sufficient clearance for drawer extension or door swing.

