



# **User's Manual / Manuel d'utilisateur**

**Upright Freezer / Congélateur Vertical**

**MODEL • MODÈLE:**

**FFFFD1933-28RS**

**FFFFD1933-28LS**

# CONTENTS \* TABLE DES MATIÈRES

## CONVERTIBLE UPRIGHT FRIDGE AND FREEZER

Owner's Use and Care Guide.....2-9

- Safety Instructions
- Installation
- Operation
- Care and Maintenance
- Troubleshooting

## RÉFRIGÉRATEUR ET CONGÉLATEUR VERTICAL CONVERTIBLE

Guide d'utilisation et soin de propriétaire.....10-17

- Consignes de sécurité importantes
- Instructions d'installation
- Consignes d'utilisation
- Soins et entretien
- Dépannage

Read and follow all safety rules and operating instructions  
before first use of this product.

Veillez lire attentivement les consignes de sécurité et les intructions  
d'utilisation avant l'utilisation intiale de ce produit.



## Important Safety Information

**READ AND FOLLOW ALL SAFETY INSTRUCTIONS**



### IMPORTANT WARNING

An empty appliance is a very dangerous attraction to children. Remove either the gasket or door from unused appliances, or take some other action that will guarantee it harmless.

**DANGER: Risk of child entrapment. Before you throw away your old appliance:**

- Take off door or lid.
- Leave the shelves in place so that children may not easily climb in.

**DON'T WAIT! DO IT NOW!**

## GROUNDING INSTRUCTIONS

This appliance must be grounded. In the event of an electrical short circuit, grounding reduces the risk of electrical shock by providing an escape wire for the electrical current.

This appliance is equipped with a cord that has a grounding wire with a grounding plug. The plug must be plugged into an outlet that is properly installed and grounded. If the outlet is a standard 2-prong wall outlet, it is your personal responsibility and obligation to have it replaced with a properly grounded 3-prong wall outlet.

Due to possible variations in line voltage (caused by overloading of circuits), it is advisable to install a separate fuse circuit from the meter panel. This will help to eliminate current fluctuation which might cause motor trouble. The serial rating plate indicates the voltage and frequency the appliance is designed for.

**WARNING** - Improper use of the grounding plug can result in a risk of electric shock. Consult a qualified electrician or service agent if the grounding instructions are not completely understood, or if doubt exists as to whether the appliance is properly grounded.

### DO NOT USE AN EXTENSION CORD

Use an exclusive 115V wall outlet. Do not connect your appliance to extension cords or together with another appliance in the same wall outlet. Do not splice the cord. Do not under any circumstances cut or remove the third ground prong from the power cord. Do not use ungrounded (two prong) adapter plugs with this appliance.



### WARNING! EXPLOSION HAZARD!

Risk of fire or explosion due to puncturing of refrigerant tubing. Do not use sharp objects to aid in defrost. Please handle with care. Keep flammable materials and vapors such as gasoline away from the freezer. Use nonflammable cleaner.

Disposal of this appliance should be in accordance with federal and local regulations.

**SAVE THESE INSTRUCTIONS!**



## **Important Safety Information**

### **READ AND FOLLOW ALL SAFETY INSTRUCTIONS**

#### **SAFETY REQUIREMENTS**

Ensure that component parts shall be replaced with like components and that servicing shall be done by factory authorized service personnel, so as to minimize the risk of possible ignition due to incorrect parts or improper service.

This appliance is not intended for use by persons (including children) whose physical, sensory or mental capabilities may be different or reduced, or who lack experience or knowledge, unless such persons receive supervision or training to operate the appliance by a person responsible for their safety.

Children should be supervised to ensure that they do not play with the appliance.

Do not use extension cords or ungrounded (two prong) adapters.

If the power supply cord is damaged, it must be replaced by the manufacturer, its service agent or similar qualified person in order to avoid hazard.

**WARNING:** Keep ventilation openings, in the appliance enclosure or in the built-in structure, clear of obstruction.

**WARNING:** Do not use mechanical devices or other means to accelerate the defrosting process, other than those recommended by the manufacturer.

**WARNING:** Do not damage the refrigerant circuit.

**WARNING:** Do not use electrical appliances inside the food storage compartments of the appliance, unless they are of the type recommended by the manufacturer.

**WARNING:** Flammable foam blowing agent (Cyclopentane) was used in the insulation. Disposal of this unit must follow federal and local regulations.

Please make sure that you leave the minimum amount of space between the appliance and all surrounding walls and vents (see location section). Do not cover any of the ventilation openings with any material as the appliance needs adequate space to breathe.

**SAVE THESE INSTRUCTIONS!**



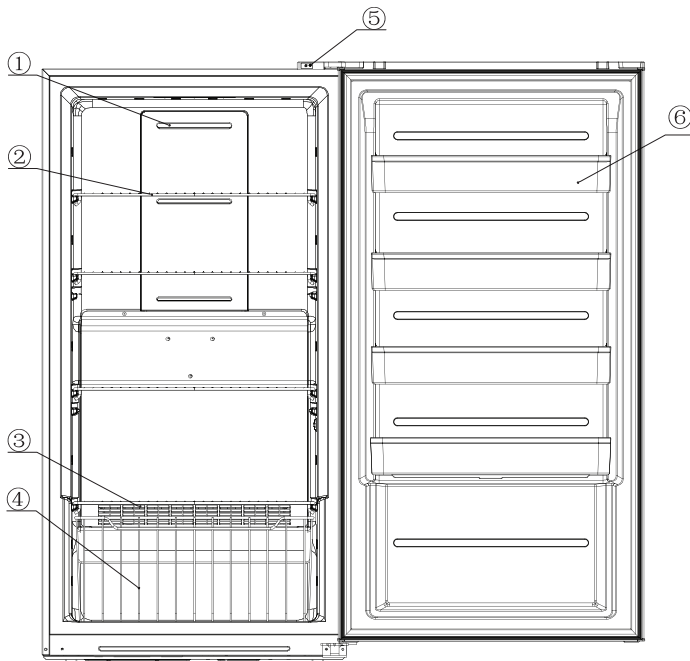
## Installation Instructions

### LOCATION

Remove exterior and interior packaging, wipe the outside thoroughly with a soft dry cloth and the inside with a wet, lukewarm cloth. Avoid placing the appliance in a narrow recess or near any heat source, direct sunlight, or moisture. Let air circulate freely around the appliance. Keep the rear of the appliance 10.6 cm (4 inches) away from the wall, ensure there is 20.3 cm (8 inches) of clearance between each side and the surrounding walls and ensure there is 30.5 cm (12 inches) of clearance between the top of the appliance and any cabinets or ceilings. This will allow proper air circulation.

1. Locate the appliance in a location where extension cords are not necessary.
2. Select a location with consistent year round temperatures. It is not recommended to operate the appliance when surrounding air temperature is below 5°C (41°F), though it will not harm the appliance to stand in any temperature below 5°C (41°F), provided the temperature control is set to avoid running the appliance. In order to keep operating cost down, do not place the appliance near a stove, furnace, heat register or in direct sunlight. Avoid placing the appliance in a damp or moist area, such as basements.

### FEATURES



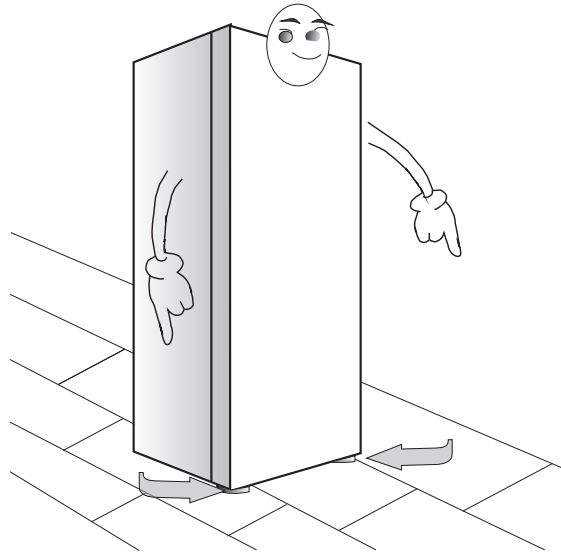
1. **Outlet Airflow Gap**
2. **Wire Shelves**
3. **Inlet Airflow Gap**
4. **Wire Drawer**
5. **Lamp Switch**
6. **Door Tray**



## Installation Instructions

### LEVELLING LEGS

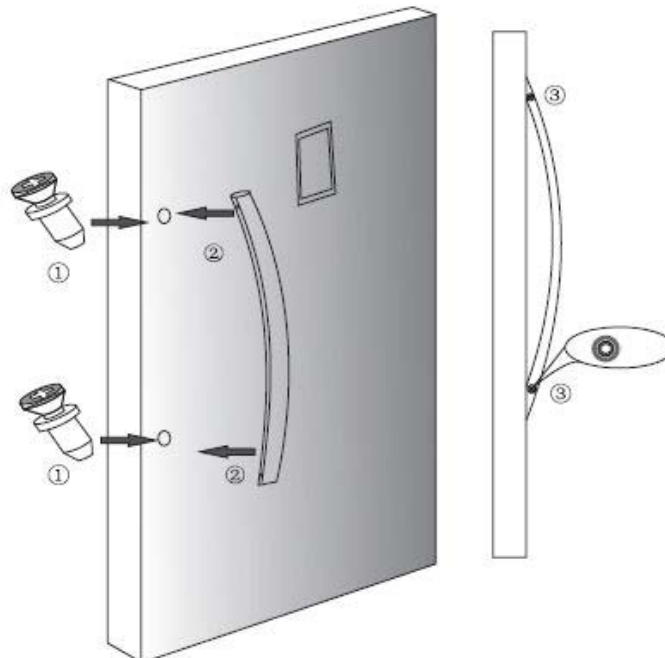
If the appliance is not level, the door and seal may not function correctly, causing the appliance to operate inefficiently. To level the appliance turn the levelling leg(s) clockwise to rise or counter-clockwise to lower.



### HANDLE INSTALLATION

The appliance must be unplugged before installing the handle.

1. Take 2 screws and install them in the pre-drilled door holes, be sure to turn them until they cannot be further tightened.
2. Position the handle over the screws.
3. Put the other set of handle screws in the hole on the side of the handle and turn until they are fully tightened.



# Operating Instructions

## STARTING THE APPLIANCE

The appliance is ready to operate as received, when connected to the power supply. After connecting to the power supply, close the door and allow the appliance to operate. The appliance will run for 1 to 2 hours, possibly longer depending on conditions, before operating temperature is reached. It will then start and stop (cycle) at regular intervals. It is recommended that food not be placed in the appliance until it is cycling regularly and no final adjustments are necessary, generally after running for approximately 24 hours.

Once the appliance is cycling regularly, it is ready to store foods. Do not operate the appliance at temperatures below  $-19^{\circ}\text{C}$  ( $-3^{\circ}\text{F}$ ), as this does not improve food preservation and only results in longer running time and higher energy consumption. It is not advisable to freeze more than 1-1.4 kg (2-3 pounds) of food, per litre (cubic foot) squared in any 24 hour period. It will take 15 or more hours of running to freeze this amount of food.

When adding fresh, unfrozen food packages, store them against the walls. The sensing bulb of the thermostat is fastened to the liner wall on the “insulation side” of the appliance. In view of the value of the contents of the appliance, it is advisable to inspect contents and check operation regularly.

**Note:** This appliance is not designed for outside installation, including installation anywhere that is not temperature controlled, such as garages, porches, carports, etc. Before connecting the appliance to an electrical power supply, let it stand undisturbed for 6 hours. This will reduce the possibility of malfunctions in the cooling system due to transport handling.

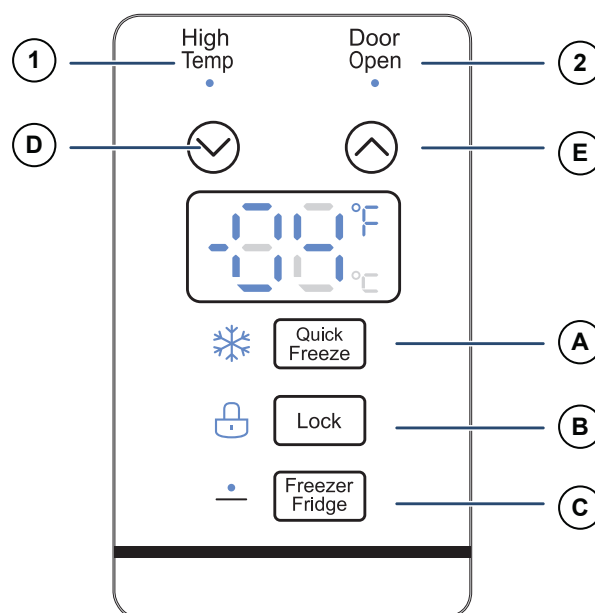
## TEMPERATURE CONTROL

### • Indicator

1. High Temp (High Temperature Alarm)
2. Door Open (Door open alarm)

### • Button

- A. Quick Freeze Button
- B. Lock Button
- C. Freezer / Fridge Switch Button
- D. Temperature Setting Down
- E. Temperature Setting Up





## Operating Instructions

### INDICATORS

#### High Temperature Alarm

When the appliance is in fridge mode, if the internal temperature is above 15°C (59°F) for more than 36 hours, the high temperature alarm will sound. The High Temp indicator light will illuminate and the appliance will make a buzzing sound for 10 seconds every thirty minutes. Press any button on the display to quiet the high temperature alarm. The alarm will automatically turn off when the internal temperature drops below 12°C (54°F).

When the appliance is in freezer mode, if the internal temperature is above -8°C (18°F) for more than 36 hours, the high temperature alarm will sound. The High Temp indicator light will illuminate and the appliance will make a buzzing sound for 10 seconds every thirty minutes. Press any button on the display to quiet the high temperature alarm. The alarm will automatically turn off when the internal temperature drops below -12°C (10°F).

#### Door Open Alarm

If the door remains open for more than 5 minutes, the door open indicator light will illuminate and a buzzer will sound. Press any button on the display or close the door to quiet the door open alarm.

### BUTTONS

#### Quick Freeze Button

The Quick Freeze function will allow the appliance to run continually for 3 hours in order to reach and maintain a temperature of -25°C (-13°F). Press the Quick Freeze button to begin Quick Freeze mode and the blue snowflake icon will illuminate. After 3 hours the appliance will automatically return to regular functioning. If the appliance is unable to reach -25°C (-13°F), the Quick Freeze function will shut off after 24 hours.

#### Lock Button

The lock button will lock the control panel so that no changes can be made to the programming. Press and hold the lock button for 3 seconds to engage the control panel lock. The lock icon will illuminate and the appliance will beep. Press and hold the lock button for 3 seconds to remove the control panel lock. The lock icon will turn off and the appliance will beep.

#### Freezer / Fridge Switch Button

The Freezer / Fridge switch button will tell the appliance whether to operate as a freezer or as a fridge. Press and hold the Freezer / Fridge button for 3 seconds. The upper dot icon will illuminate and the appliance will beep to indicate that the appliance is operating as a freezer. When the appliance is operating as a freezer, press and hold the Freezer / Fridge button for 3 seconds and the lower dot icon will illuminate and the appliance will beep to indicate that the appliance is operating as a fridge.

The temperature range for the freezer operation is -12°C ~ -24°C (10°F ~ -11°F).  
The temperature range for the fridge operation is 2°C ~ 8°C (35°F ~ 46°F).

#### Up and Down Buttons

Press the down button to reduce the set temperature. Press the up button to raise the set temperature.

#### °C / °F Button

To change the display scale, press and hold both the up and down buttons for 3 seconds.

#### Reset Button

To reset the programming of the appliance, press and hold the lock button and the up button at the same time for 3 seconds. The appliance will beep and all icons on the display will illuminate for 3 seconds. If the compressor is running, it will pause for 5 minutes as the internal control board resets. Normal functioning will resume after 5 minutes.





## Care and Maintenance

### DEFROSTING

This appliance is equipped with a “Frost Free” type cooling system, which means it never has to be manually defrosted. Defrosting is done automatically by means of a defrost heating element and a defrost timer that will cycle on and off as the appliance operates. The defrost water is routed into a defrost pan located beside the compressor, where it then evaporates.

### CLEANING

1. Remove all contents and unplug the appliance.
2. Using a mild detergent and warm water solution, use a clean damp cloth or sponge to wipe the inside of the appliance.
3. Do not use abrasive or harsh cleaners. Hand wash, rinse and dry all surfaces thoroughly. Do not use cleaning waxes, detergents, bleach etc. on the appliance. Never use paper towel, window spray, scouring cleansers or flammable cleaners as they can scratch and damage the appliance. Clean with a damp cloth and dry with a soft clean dry cloth.

### VACATION TIME

For short vacation periods, leave the control knob at its normal setting. During longer absences:

1. Remove all food.
2. Disconnect power cord from electrical outlet.
3. Clean the appliance thoroughly.
4. Leave door open to avoid possible formations of condensation, mold or odors.

### ELECTRICAL AND MECHANICAL FAILURE

In the event of mechanical or electrical failure of the appliance, contact consumer care for information on a local service agent immediately. Have the model number and serial number ready, these are shown on the serial plate located on the exterior of the rear cabinet wall.

### POWER FAILURE

Most power failures are corrected within an hour or two and will not affect the appliance temperatures. Minimize the number of door openings while the power is off. During power failures of longer duration, take steps to protect the food.

### IF YOU MOVE

Remove or securely fasten down all loose items inside the appliance. To avoid damaging the leveling legs, turn them all the way into the base.



# Troubleshooting

Information in this manual is subject to change without notice.

PROBLEM	POSSIBLE CAUSE	SOLUTION
<b>Does not work</b>	<ul style="list-style-type: none"> <li>No power to appliance</li> <li>Power cord is unplugged</li> <li>Wrong voltage is being used</li> </ul>	<ul style="list-style-type: none"> <li>Check connection of power cord to power source</li> <li>Plug in appliance</li> <li>Use proper voltage</li> </ul>
<b>Appliance runs continuously</b>	<ul style="list-style-type: none"> <li>Temperature set too low (cold)</li> <li>Door is not closed</li> <li>Hot food was inserted</li> <li>Door opened too long or too often</li> <li>Close proximity to heat source or direct sunlight</li> <li>Quick Freeze function is set</li> </ul>	<ul style="list-style-type: none"> <li>Set temperature control to warmer setting</li> <li>Close door securely</li> <li>Be sure food is at room temperature before inserting</li> <li>Minimize door openings / duration</li> <li>Do not place appliance close to heat sources or direct sunlight</li> <li>This is normal</li> </ul>
<b>Internal temperature not cold enough</b>	<ul style="list-style-type: none"> <li>No power to appliance</li> <li>Power cord is unplugged</li> <li>Temperature set too high (warm)</li> <li>Lid is not closed</li> <li>Hot food was inserted</li> <li>Lid opened too long or too often</li> <li>Air flow obstruction</li> <li>Wrong voltage is being used.</li> <li>Close proximity to heat source or direct sunlight</li> </ul>	<ul style="list-style-type: none"> <li>Check connection of power cord to power source</li> <li>Plug in appliance</li> <li>Check setting and adjust as needed</li> <li>Close lid securely</li> <li>Be sure that food is at room temperature</li> <li>Minimize lid openings / duration</li> <li>Allow room for air to circulate around appliance</li> <li>Use proper voltage</li> <li>Do not place appliance close to heat sources or direct sunlight</li> </ul>
<b>Temperature inside the appliance is too cold</b>	<ul style="list-style-type: none"> <li>The temperature control is set too cold</li> </ul>	<ul style="list-style-type: none"> <li>Adjust the temperature setting</li> </ul>
<b>Noises coming from the appliance (popping, cracking, gurgling)</b>	<ul style="list-style-type: none"> <li>Internal parts are expanding and contracting</li> <li>Refrigerant is circulating in the system</li> </ul>	<ul style="list-style-type: none"> <li>This is normal</li> <li>This is normal</li> </ul>

## ERROR CODES

- **E2:** Temperature sensor failure.
- **E5:** Defrosting sensor failure.
- **E6:** Communication failure.
- **E7:** Ambient temperature sensor failure.
- **E9:** High temperature.

To clear all error codes, unplug the appliance and let it stand undisturbed for 5 minutes, then plug it back in. If the error code persists, contact consumer care for further troubleshooting.



## Consignes de sécurité importantes

**LIRE ET SUIVRE TOUTES LES INSTRUCTIONS DE SÉCURITÉ**



### **AVERTISSEMENT IMPORTANT!**

Un appareil vide est une attraction très dangereuse pour les enfants. Retirez soit le joint d'étanchéité ou la porte des appareils inutilisés, ou prendre une autre action qui garantira qu'il est inoffensif.

**DANGER : Risque de piéger un enfant. Avant de jeter votre ancien appareil:**

- Enlever la porte ou le couvercle.
- Laisser les tablettes en place afin que les enfants ne puissent pas facilement y entrer.

**N'ATTENDEZ PAS! FAITES-LE IMMÉDIATEMENT!**

## **INSTRUCTIONS DE MISE À LA TERRE**

Cet appareil doit être mis à la terre. En cas de court-circuit, la mise à la terre réduit les risques de décharge électrique en fournissant un échappatoire au courant électrique.

L'appareil est muni d'un cordon électrique comprenant un fil de mise à la terre et une fiche de terre. Branchez la fiche dans une prise de courant correctement installée et mise à la terre. Si la prise est une prise murale standard à 2 broches, il est de votre responsabilité personnelle et l'obligation de le remplacer par une prise murale à 3 broches correctement mise à la terre.

Dû aux variations possibles sur la ligne de voltage (causé par une surcharge des circuits) il est recommandé d'installer un circuit séparé avec fusibles à partir du panneau compteur. Ceci aidera à éliminer les fluctuations du courant qui peuvent endommager le moteur. Le voltage et la fréquence requis pour ce congélateur sont indiqués sur la plaque d'identification.

**AVERTISSEMENT** - Une fiche de mise à la terre mal branchée peut entraîner un risque d'incendie, de choc électrique ou de blessures aux personnes qui utilisent l'appareil. Si vous n'êtes pas certain que l'appareil est correctement mis à la terre, consultez un représentant du service qualifié.

### **N'UTILISER JAMAIS DE FIL DE RALLONGE**

Branchez le congélateur à son propre circuit de 115V. N'utilisez pas de rallonge électrique pour brancher votre congélateur. Ne branchez pas le congélateur à une prise femelle multiple qui sera également utilisée pour d'autres appareils électriques. N'épissez pas le cordon électrique. Do not under any circumstances cut or remove the third ground prong from the power cord. Do not use ungrounded (two prong) adapter plugs with this appliance.



### **AVERTISSEMENT! DANGER D'EXPLOSION!**

Risque d'incendie ou d'explosion causé par la perforation de tuyaux frigorigènes. Ne jamais utiliser un objet pointu pour assister au dégel. Manipuler avec soin. Garder les matériaux et vapeurs inflammables comme de l'essence loin du congélateur. Utiliser un nettoyant ininflammable.

La mise au rebut de cet item doit être faite selon les lois locales et fédérales.

**GARDER CES INSTRUCTIONS!**



## **Consignes de sécurité importantes**

### **LIRE ET SUIVRE TOUTES LES INSTRUCTIONS DE SÉCURITÉ**

#### **EXIGENCES DE SÉCURITÉ**

Veillez vous assurer que les pièces de rechange sont remplacées par des pièces similaires, et que l'entretien soit effectué par un technicien agréé par l'usine, afin réduire le risque d'incendie à cause de mauvaises pièces ou d'entretien mal fait.

Ce dispositif n'est pas désigné d'être utilisé par des personnes (y compris enfants) dont le développement et capacité physique, sensoriel ou mental est différente ou réduite, ou par les personnes qui manquent expérience ou connaissance sauf si ces personnes sont surveillés ou formés par une personne responsable de leur sécurité.

Les enfants doivent être surveillés pour s'assurer qu'ils ne jouent pas avec l'appareil.

Ne pas utiliser de rallonges et des adaptateurs (avec 2 prises) qui ne sont pas de mise à la terre.

Ne pas utiliser de rallonges et des adaptateurs (avec 2 prises) qui ne sont pas de mise à la terre. Pour éviter les risques, si le cordon est endommagé, il doit être remplacé par le fabricant, son agent de service ou une personne qualifiée.

**AVERTISSEMENT:** Les prises d'air de l'enceinte de l'appareil ou de la structure encastré doivent être dégagées en tout temps.

**AVERTISSEMENT:** Ne pas utiliser d'appareils mécaniques ou autres moyens pour accélérer le dégivrage que ceux recommandés par le fabricant.

**AVERTISSEMENT:** Ne pas endommager le circuit frigorigène.

**AVERTISSEMENT:** Ne pas utiliser d'appareils électriques à l'intérieur du compartiment de conservation des aliments de cet appareil, sauf s'ils sont du type recommandé par le fabricant.

**AVERTISSEMENT:** Un agent de mousse gonflant inflammable (Cyclopentane) a été utilisé dans l'isolation. La disposition de cette appareil doit respecter les règlements fédéraux et locaux.

S'il vous plaît assurez-vous de laisser le dégagement minimum d'entre l'appareil et tous les murs environnants et les ouvertures (voir l'emplacement). Ne couvrez pas les ouvertures de ventilation avec un matériau parce que l'appareil a besoin d'espace de respiration adéquate.

**GARDER CES INSTRUCTIONS!**



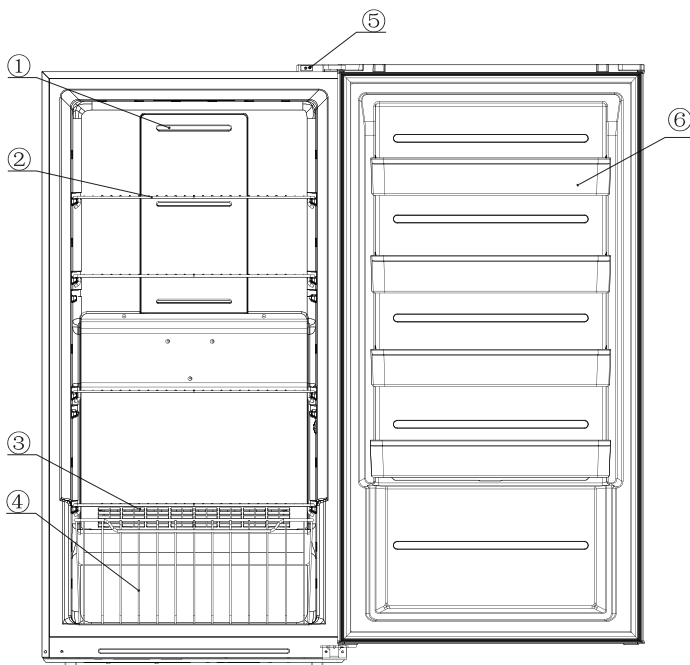
## Instructions d'installation

### EMPLACEMENT

Enlevez les emballages extérieurs et intérieurs. Essuyez complètement l'extérieur avec un linge doux sec et l'intérieur avec un linge humide tiède. Il ne faut jamais situer l'appareil dans un recoin étroit, proche d'une source d'air chaud. L'air doit circuler à l'entour de l'appareil. Gardez le dos de l'appareil à une distance de 10,6 cm / 4 pouces du mur, assurez-vous qu'il est de 20,3 cm / 8 pouce d'espace entre chaque murs et assurez-vous qu'il est de 30,5 cm / 12 pouces d'espace entre l'appareil et les armoires ou le plafond. Ceci permettra une circulation d'air.

1. Installez votre congélateur de telle façon qu'une rallonge électrique ne soit pas nécessaire.
2. Choisissez un endroit où la température est uniforme toute l'année. Ne pas faire fonctionner le congélateur lorsque l'air environnant est au-dessous de 5°C (41°F). Cependant, si la température est au-dessous de 5°C (41°F) le congélateur ne subira aucun dommage tant que le contrôle de température n'actionne pas l'appareil motrice. Pour raison d'économie d'électricité, ne pas placer le congélateur près d'un poêle, d'une fournaise, d'un registre de chaleur, d'un radiateur ou encore directement au soleil. Ne placer pas l'appareil dans un espace mouillé ou humide, comme les sous-sols.

### CARACTÉRISTIQUES



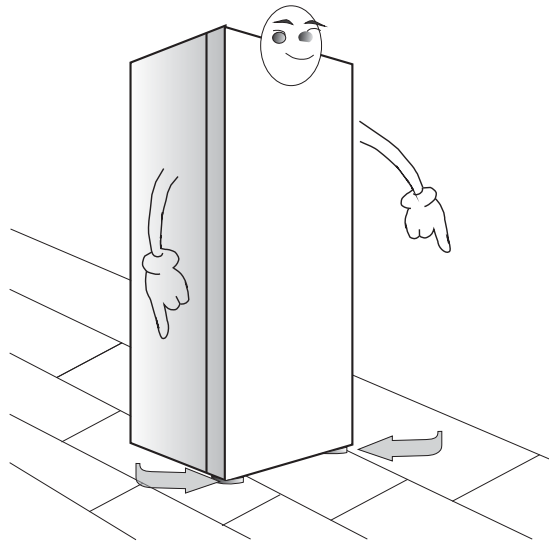
1. Écart de débit d'air de sortie
2. Étagères en fil
3. Écart d'air d'entrée
4. Tiroir en fil
5. Commutateur de lampe
6. Plateau de porte



## Instructions d'installation

### PIEDS DE NIVELLEMENT

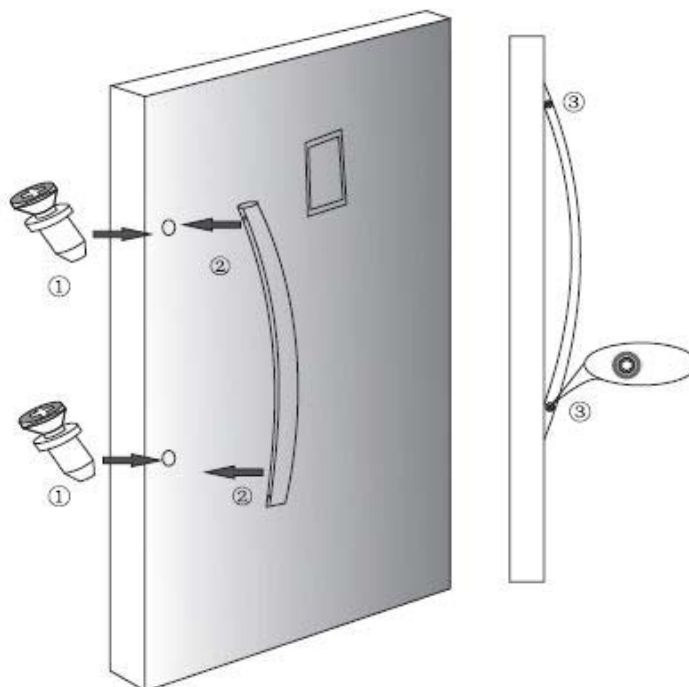
Si l'appareil n'est pas niveau, les portes et les joint ne pourraient pas fonctionner correctement, ce qui rend l'appareil de fonctionner d'un manière inefficace. Pour niveler l'appareil tourner la jambe nivellement vers la droite pour augmenter ou dans le sens antihoraire pour abaisser.



### INSTALLATION DU POIGNÉE

L'appareil doit être débranché avant d'installer la poignée.

1. Prenez deux vis et installer sur la porte, dans les trous pré-percés, assurez-vous de les pivoter jusqu'à ce qu'ils ne peuvent pas tirer plus.
2. Placer la poignée sur les vis.
3. Placez l'autre vis de réglage dans le trou dans le côté de la poignée et tournez jusqu'à ce que serré.





## Consignes d'utilisation

### MISE EN MARCHÉ DE L'APPAREIL

L'appareil est prêt à fonctionner tel que reçu, lorsqu'il est connecté à l'alimentation. Après avoir branché l'alimentation électrique, fermez la porte et laissez l'appareil fonctionner. L'appareil fonctionne pendant 1 à 2 heures, peut-être plus longtemps en fonction des conditions, avant que la température de fonctionnement ne soit atteinte. Il démarre et s'arrête (cycle) à intervalles réguliers. Il est recommandé que les aliments ne soient pas placés dans l'appareil jusqu'à ce qu'il soit cyclable régulièrement et aucun réglage final n'est nécessaire, généralement après avoir fonctionné pendant environ 24 heures.

Une fois que l'appareil est en vélo régulièrement, il est prêt à stocker les aliments. Ne pas faire fonctionner l'appareil à des températures inférieures à  $-19^{\circ}\text{C}$  ( $-3^{\circ}\text{F}$ ), car cela n'améliore pas la conservation des aliments et n'augmente que le temps de fonctionnement et la consommation d'énergie. Il n'est pas conseillé de congeler plus de 1-1,4 kg (2-3 livres) de nourriture, par litre (pieds cubes) au carré dans une période de 24 heures. Il faudra 15 heures ou plus de fonctionnement pour geler cette quantité de nourriture.

Lorsque vous ajoutez des emballages frais et non congelés, rangez-les contre les murs. L'ampoule de détection du thermostat est fixée à la paroi de la doublure sur le «côté isolant» de l'appareil. Compte tenu de la valeur du contenu de l'appareil, il est conseillé d'inspecter le contenu et de vérifier le fonctionnement régulièrement.

**Remarque:** Cet appareil n'est pas conçu pour être installé à l'extérieur, y compris dans des endroits où la température n'est pas contrôlée, tels que des garages, des porches, des abris de voiture, etc. Avant de brancher l'appareil à une source d'alimentation électrique, le laisser reposer pendant 6 heures. Ceci réduit les risques de dysfonctionnement du système de refroidissement en raison de la manipulation du transport.

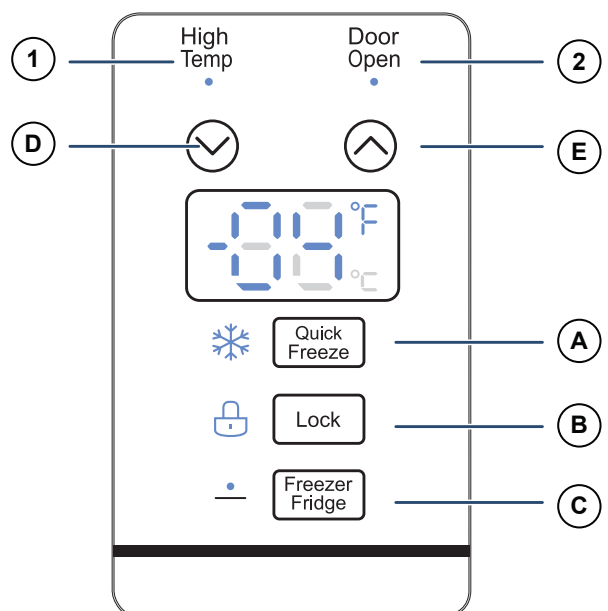
### CONTRÔLE DE LA TEMPÉRATURE

#### • Indicateur

1. High Temp (Alarme haute température)
2. Door Open (Alarme porte ouverte)

#### • Bouton

- A. Bouton de congélation rapide
- B. Bouton de verrouillage
- C. Bouton de commande du congélateur / réfrigérateur
- D. Réglage de la température vers le bas
- E. Réglage de la température vers le haut







## Consignes d'utilisation

### INDICATEURS

#### Alarme haute température

Lorsque l'appareil est en mode réfrigérateur, si la température interne est supérieure à 15 ° C (59 ° F) pendant plus de 36 heures, l'alarme de température élevée retentit. Le voyant High Temp s'allume et l'appareil émet un bourdonnement pendant 10 secondes toutes les trente minutes. Appuyez sur n'importe quel bouton de l'afficheur pour désactiver l'alarme de température élevée. L'alarme s'éteint automatiquement lorsque la température interne est inférieure à 12 ° C (54 ° F).

Lorsque l'appareil est en mode congélateur, si la température interne est supérieure à -8 ° C (18 ° F) pendant plus de 36 heures, l'alarme de température élevée retentit. Le voyant High Temp s'allume et l'appareil émet un bourdonnement pendant 10 secondes toutes les trente minutes. Appuyez sur n'importe quel bouton de l'afficheur pour désactiver l'alarme de température élevée. L'alarme s'éteint automatiquement lorsque la température interne est inférieure à -12 ° C (10 ° F).

#### Alarme de porte ouverte

Si la porte reste ouverte pendant plus de 5 minutes, le voyant d'ouverture de la porte s'allume et un buzzer retentit. Appuyez sur n'importe quel bouton de l'écran ou fermez la porte pour calmer l'alarme de porte ouverte.

### BOUTONS

#### Bouton de congélation rapide

La fonction de congélation rapide permet à l'appareil de fonctionner continuellement pendant 3 heures afin d'atteindre et de maintenir une température de -25 ° C (-13 ° F). Appuyez sur le bouton de congélation rapide pour commencer le mode de congélation rapide et l'icône du flocon de neige bleu s'allume. Au bout de 3 heures, l'appareil reprendra automatiquement son fonctionnement normal. Si l'appareil ne parvient pas à atteindre -25 ° C (-13 ° F), la fonction de gel rapide s'arrête au bout de 24 heures.

#### Bouton de verrouillage

Le bouton de verrouillage verrouille le panneau de commande de sorte qu'aucune modification ne peut être apportée à la programmation. Appuyez sur le bouton de verrouillage pendant 3 secondes pour verrouiller le panneau de commande. L'icône de verrouillage s'allume et l'appareil émet un bip. Appuyez sur le bouton de verrouillage pendant 3 secondes pour retirer le verrouillage du panneau de commande. L'icône de verrouillage s'éteint et l'appareil émet un bip.

#### Bouton de commande du congélateur / réfrigérateur

Le bouton du congélateur / réfrigérateur indique à l'appareil s'il doit fonctionner comme un congélateur ou comme un réfrigérateur. Maintenez enfoncée la touche Freezer / Fridge pendant 3 secondes. L'icône de point supérieur s'allume et l'appareil émet un bip pour indiquer que l'appareil fonctionne comme un congélateur. Lorsque l'appareil fonctionne comme un congélateur, maintenez enfoncée le bouton congélateur / réfrigérateur pendant 3 secondes et l'icône de point inférieur s'allume et l'appareil émet un bip pour indiquer que l'appareil fonctionne comme un réfrigérateur.

La plage de température pour le fonctionnement du congélateur est de -12°C ~ -24°C (10°F ~ -11°F).  
La plage de température pour le fonctionnement du réfrigérateur est de 2°C ~ 8°C (35°F ~ 46°F).

#### Boutons haut et bas

Appuyez sur le bouton vers le bas pour réduire la température réglée. Appuyez sur le bouton haut pour augmenter la température réglée.

#### °C / °F Bouton

Pour modifier l'échelle d'affichage, maintenez enfoncées les touches haut et bas pendant 3 secondes.

#### Bouton de réinitialisation

Pour réinitialiser la programmation de l'appareil, appuyez sur le bouton de verrouillage et sur le bouton de marche arrière en même temps pendant 3 secondes. L'appareil émettra un bip et toutes les icônes de l'afficheur s'allumeront pendant 3 secondes. Si le compresseur est en marche, il s'arrête pendant 5 minutes lorsque la carte de contrôle interne est réinitialisée. Le fonctionnement normal reprendra après 5 minutes.





## Soins et entretien

### DÉGIVRAGE

Cet appareil est équipé d'un système de refroidissement du type «Frost Free», ce qui signifie qu'il ne doit jamais être décongelé manuellement. Le dégivrage s'effectue automatiquement au moyen d'un élément chauffant de dégivrage et d'une minuterie de dégivrage qui s'allume et s'éteint lorsque l'appareil fonctionne. L'eau de dégivrage est acheminée dans une cuve de dégivrage située à côté de du compresseur, où elle s'évapore.

### NETTOYAGE

1. Retirez tout le contenu et débranchez l'appareil.
2. À l'aide d'un mélange de détergent doux et d'eau chaude, mouiller une serviette ou une éponge pour nettoyer l'intérieur de l'appareil.
3. N'utilisez pas des nettoyeurs abrasifs. Rincer et sécher toutes les surfaces soigneusement. N'utiliser pas des cires de nettoyage, détergents, eau de Javel, etc. sur l'appareil. N'utilisez jamais une serviette en papier, laveur de vitres, nettoyeurs à récurer ou des nettoyeurs inflammables car elles peuvent gratter et endommager l'appareil. Nettoyer avec un serviette mouiller et séchez avec un chiffon doux et propre.

### PENDANT LE VACANCES

Si vous prenez des vacances de courte durée, laissez le bouton de commande à son réglage normal. Si l'absence doit durer longtemps:

1. Enlever tous les aliments.
2. Débranchez l'appareil de la prise murale.
3. Nettoyez l'appareil complètement.
4. Laisser la couvercle ouvert pour éviter les mauvaises odeurs.

### PANNE ÉLECTRIQUE OU MÉCANIQUE

En cas de défaillance mécanique ou électrique de l'appareil, contacter le consommateur pour obtenir des informations sur un agent de service local immédiatement. Préparez le numéro de modèle et le numéro de série sur la plaque signalétique située à l'extérieur de la paroi arrière de l'armoire.

### PANNE D'ÉLECTRICITÉ

La plupart des pannes d'électricité sont corrigées dans une heure ou deux et n'affecteront pas la température de l'appareil. Réduisez au minimum le nombre d'ouvertures de porte lorsque l'appareil est hors tension. Pendant les coupures de courant de plus longue durée, prendre des mesures pour protéger les aliments.

### DÉMENAGEMENT

Enlever ou fixer solidement tous les articles en vrac à l'intérieur de l'appareil. Pour éviter d'endommager les pieds de nivellement, tournez-les complètement dans la base.



## Dépannage

Les informations contenues dans ce manuel sont sujettes à modifications sans préavis.

PROBLÈME	CAUSE PROBABLE	SOLUTION
<b>Ne fonctionne pas</b>	<ul style="list-style-type: none"> <li>Pas de tension à l'appareil</li> <li>Le cordon d'alimentation est débranché</li> <li>Le mauvais voltage est utilisé</li> </ul>	<ul style="list-style-type: none"> <li>Vérifiez la connexion du cordon d'alimentation</li> <li>Branchez l'appareil</li> <li>Utilisez le voltage approprié</li> </ul>
<b>Le congélateur fonctionne sans arrêt</b>	<ul style="list-style-type: none"> <li>Le contrôle de température est réglé à un réglage trop élevé (chaud)</li> <li>Le couvercle n'est pas fermée</li> <li>De la nourriture chaude a été insérée</li> <li>Le couvercle est ouvert trop souvent/longtemps</li> <li>Proximité d'une source de chaleur ou source de soleil</li> <li>La fonction de congélation rapide est établie.</li> </ul>	<ul style="list-style-type: none"> <li>Vérifiez le contrôle de température et ajustez-le au besoin</li> <li>Fermez la couvercle</li> <li>Assurez-vous que la nourriture est fraîche avant de la placer dans l'appareil</li> <li>Minimisez l'ouverture du couvercle</li> <li>Ne placez pas l'appareil près d'une source de chaleur et évitez une exposition directe aux rayons du chaleur/du soleil</li> <li>C'est normal</li> </ul>
<b>La température interne n'est pas assez froide</b>	<ul style="list-style-type: none"> <li>Pas de tension à l'appareil</li> <li>Le cordon d'alimentation est débranché</li> <li>Le contrôle de température est réglé à un réglage trop bas (chaud)</li> <li>Le couvercle n'est pas fermé</li> <li>La nourriture est chaude</li> <li>Le couvercle est ouvert trop souvent/longtemps</li> <li>Obstruction de la circulation de l'air</li> <li>Le mauvais voltage est utilisé</li> <li>Proximité d'une source de chaleur ou exposition directe aux rayons du soleil</li> </ul>	<ul style="list-style-type: none"> <li>Vérifiez la connexion du cordon d'alimentation</li> <li>Branchez l'appareil</li> <li>Vérifiez le réglage et augmentez-le au besoin</li> <li>Fermez le couvercle</li> <li>Assurez-vous que la nourriture est fraîche avant de la placer dans l'appareil</li> <li>Minimisez l'ouverture du couvercle</li> <li>Laissez l'air circuler dans la pièce autour de l'appareil</li> <li>Utilisez le voltage approprié</li> <li>Ne placez pas l'appareil près d'une source de chaleur et évitez une exposition directe aux rayons du soleil</li> </ul>
<b>La température à l'intérieur de l'appareil est trop froide</b>	<ul style="list-style-type: none"> <li>Contrôle du température est trop froide</li> </ul>	<ul style="list-style-type: none"> <li>Ajustez le réglage de la température</li> </ul>
<b>Bruits provenant de l'appareil (bruit, claquement, gargouillis)</b>	<ul style="list-style-type: none"> <li>Expansion et la contraction des pièces</li> <li>Réfrigérant circulant dans le système</li> </ul>	<ul style="list-style-type: none"> <li>C'est normal</li> <li>C'est normal</li> </ul>

### LES CODES D'ERREUR

- E2:** Défaillance du capteur de température.
- E5:** Défaillance du capteur.
- E6:** Erreur de communication.
- E7:** Capteur de température ambiante en défaut.
- E9:** Haute température.

Pour effacer tous les codes d'erreur, débranchez l'appareil et laissez-le reposer pendant 5 minutes, puis rebranchez-le. Si le code d'erreur persiste, contactez le service après-vente pour plus de dépannage.