

Double Wall Ovens

FFET2725L S/W/B

27" Electric



Signature Features

Ready-Select™ Controls

Easily select options or control cooking temperature with our easy-to-use controls.

Large Capacity

Two large capacity ovens give you room to cook more at once.

Even Baking Technology

Our latest technology ensures even baking every time.

Self-Cleaning

Ovens clean themselves—so you don't have to.

Product Dimensions

Height	50-7/16"
Width	27"
Depth	24-1/2"

More Easy-To-Use Features

Vari-Broil™ Option

Allows you to choose between two heat levels.

Keep Warm

Timer Lock-Out

Oven Rack Handles

Oven racks are designed with space for you to easily pull out the racks, even when wearing an oven mitt.

Extra-Large Windows

Our extra-large oven windows let you easily see what's inside.

Bright Oven Lighting

Our bright lighting makes it easy to see what's inside.

Delay Clean

Set the ovens to begin cleaning on your schedule.

Delay Bake

Timed Cook Option

Timer Function

Auto Shut-Off

As an extra safety measure, the oven will automatically shut off after 12 hours.

Attractive Stainless Steel Exterior¹

Sabbath Mode (Star-K® Certified)

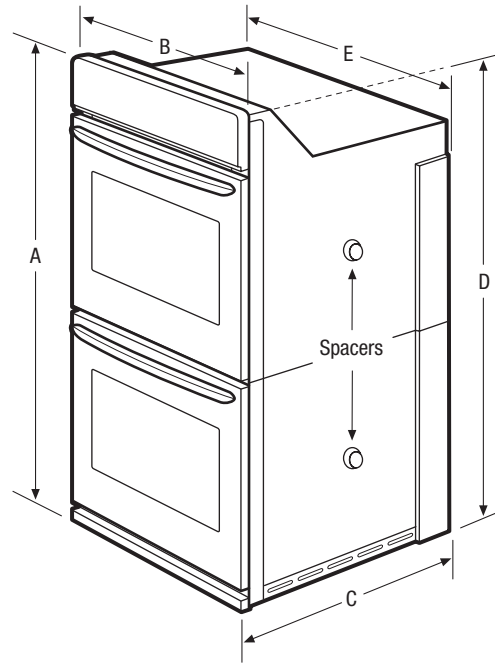
Available in:



¹Select models only.

Features	
Windows	Extra- Large
Exterior Door Finish	Stainless Steel (S), Color-Coordinated (W/B)
Handle Design	Stainless Steel (S), Color-Coordinated (W/B)
Convection System	
Cleaning System	Self Clean
Controls & Electronic Features	
Oven Controls	Ready-Select™
Bake	Yes
Broil	Yes
Convection Bake	
Convection Broil	
Convection Roast	
Delay Bake	Yes
Keep Warm	Yes
Quick Preheat	
Self-Clean	Yes
Delay Clean	Yes
Add-a-Minute	
Auto Shut-Off	Yes
Timer Function	Yes
Timed Cook Option	Yes
Top Oven Features	
Capacity (Cu. Ft.)	3.5
Bake Element (Watts)	2,300
Baking System	Dual Radiant
Broil Element (Watts)	3,400
Broiling System	Vari-Broil™ Hi/Lo
Oven Light	Yes
Rack Configuration	2 Handle Racks
Bottom Oven Features	
Capacity (Cu. Ft.)	3.5
Bake Element (Watts)	2,300
Baking System	Dual Radiant
Broil Element (Watts)	3,400
Broiling System	Vari-Broil™ Hi/Lo
Oven Light	Yes
Rack Configuration	2 Handle Racks
Certifications	
Sabbath Mode (Star-K® Certified)	Yes
Specifications	
Oven Interior (H x W x D)	16-1/2" x 20-1/2" x 18-1/32"
Power Supply Connection Location	Left Bottom Rear
Voltage Rating	240V / 208V / 60 Hz
Connected Load (kW Rating) @ 240/208 Volts ¹	6.8 / 5.1
Amps @ 240/208 Volts	28.0 / 25.0
Minimum Circuit Required (Amps)	40
Shipping Weight (Approx.)	275 Lbs.

¹Single phase 3- or 4-wire cable, 120 / 240 or 120 / 208 Volt, 60 Hertz AC only electrical supply with ground required on separate circuit fused on both sides of line.



NOTE: Always consult local and national electric codes. Refer to Product Installation Guide for detailed installation instructions on the web at frigidaire.com.



Product Dimensions	
A - Height	50-7/16"
B - Width	27"
C - Depth	24-1/2"
D - Height (Wrapper)	48-5/8"
E - Width (Wrapper)	24-5/8"
Depth with Door Open 90°	44-1/2"

Cutout Dimensions	
Height (Min.)	48-7/8"
Height (Max.)	49-7/8"
Width (Min.)	24-7/8"
Width (Max.)	25-1/4"
Depth	23-1/2"