



Freestanding Range

FFEF4005L W

40" Electric



Product Dimensions

Height	47-3/4"
Width	40-1/8"
Depth	28-5/16"

More Easy-To-Use Features

Timed Cook Option

Electronic Kitchen Timer

Bright Lighting

Our bright lighting makes it easy to see what's inside.

Manual Clean Oven

Black Porcelain Drip Bowls

Available in:



White
(W)

Elements	Size	Watts
Right Front	8"	2,600
Right Rear	6"	1,500
Left Front	6"	1,500
Left Rear	8"	2,600

Signature Features

Ready-Select™ Controls

Select options or control cooking temperature with our easy-to-use controls.

Store-More™ Storage Drawer

Our convenient drawer gives you extra storage space in your kitchen.

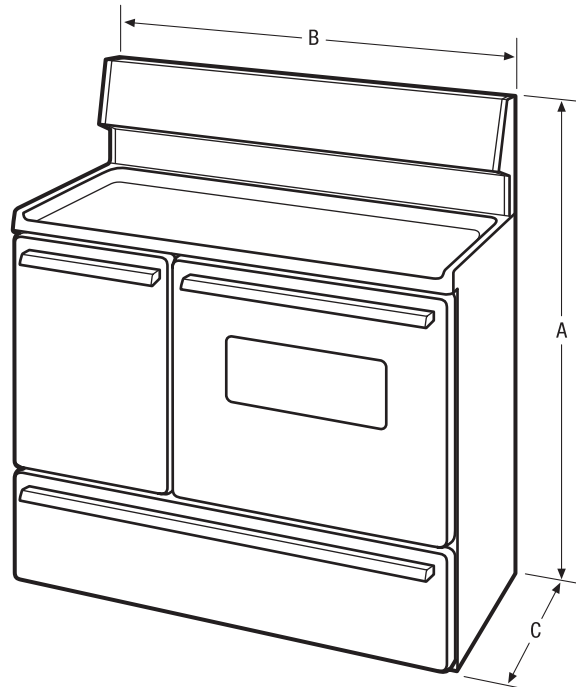
Hi/Lo Broil Option

Offers two-position broiling and variable temperature control for more control.

Color-Coordinated Oven Door with Large Window

Stylish look with a large window makes it easy to check on what's cooking without opening the door.

Features	
Oven Control/Timing System	Ready-Select™ Controls
Surface Type	Color-Coordinated Porcelain
Window	Large
Exterior Door Finish	Color-Coordinated
Handle Design	Black
Exterior Finish (Side Panels)	Color-Coordinated
Convection System	
Oven Cleaning System	Manual Clean
Side Compartment/Drawer Functionality	Storage/Storage
Oven Controls	
Bake	Yes
Broil	Low and High
Add-a-Minute	
Delay Bake	
Self-Clean	
Quick Clean Option	
Delay Clean	
Kitchen Timer	Yes
Timed Cook Option	Yes
Auto Oven Shutoff	
Cooktop Features	
Right Front Element (Watts)	8" - 2,600
Right Rear Element (Watts)	6" - 1,500
Left Front Element (Watts)	6" - 1,500
Left Rear Element (Watts)	8" - 2,600
Center Element (Watts)	
Hot Surface Indicator Light	
Coil Cooktop/Drip Bowls	Yes/Black Porcelain
Oven Features	
Capacity (Cu. Ft.)	3.7
Oven Light	1
Hidden Bake Element	
Rack Configuration	2 Standard
Even Baking System	
Broiling System	Vari-Broil™ Hi/Lo
Bake Element/Broil Element (Watts)	3,000/2,750
Auxiliary Oven Features	
Capacity (Cu. Ft.)	
Oven Control	
Oven Cleaning System	
Oven Light	
Rack Configuration	
Bake Element/Broil Element (Watts)	
Specifications	
Primary Oven Interior (H x W x D)	15-3/4" x 22-5/8" x 17-3/4"
Auxiliary Oven Interior (H x W x D)	
Power Supply Connection Location	Middle Bottom Rear
Voltage Rating	240V/208V/60Hz
Connected Load (kW Rating) @ 240/208 Volts	12.7/9.5
Amps @ 240/208 Volts	53.0/46.0
Minimum Circuit Required (Amps)	40
Shipping Weight (Approx.)	242 Lbs.



NOTE: For planning purposes only. Always consult local and national electric codes. Refer to Product Installation Guide for detailed installation instructions on the web at frigidaire.com.



Product Dimensions		Cutout Dimensions	
A - Height	47-3/4"	Height (standard)	36"
B - Width	40-1/8"	Width (min.)	40-1/4"
C - Depth	28-5/16"	Depth (min.)	24"
Depth with Door Open 90°	45-1/2"		

Accessories information available on the web at frigidaire.com