

FFED3016T W/B

DROP-IN RANGE
30" ELECTRIC



AVAILABLE COLORS



White



Black

PRODUCT DIMENSIONS

Height	26-1/2"
Width	30"
Depth	28-5/16"

MORE EASY-TO-USE FEATURES

Built with American Pride

Designed, engineered and assembled in the U.S.A.

Auto Shut-Off

As an extra safety measure, the oven will automatically shut off after 12 hours.

Hi/Lo Broil Options

Offers two-position broiling and variable temperature control for more control.

CERTIFICATIONS

A.D.A. - Compliant

When properly installed, this model is A.D.A.-qualified based on the United States Access Board's A.D.A./A.B.A. Accessibility Guidelines and the Department of Justice's 2010 A.D.A. Standards for Accessible Design.



SIGNATURE FEATURES

One-Touch Self Clean

Your oven cleans itself — so you don't have to. Self clean options available in 2- and 3-hour cycles.

Extra-Large Window

Check on the status of your dish without having to open the oven door.

Oven Rack Handles

Oven racks are designed with space for you to easily pull out the racks, even when wearing an oven mitt.

Large Capacity

Our large capacity oven gives you room to cook more dishes at once.

ELEMENTS	SIZE	WATTS
Right Front	8"	2,600
Right Rear	6"	1,500
Left Front	6"	1,500
Left Rear	8"	2,600

FFED3016T W/B DROP-IN RANGE

30" ELECTRIC

FRIGIDAIRE

FEATURES

Oven Control/Timing System	Ready-Select® Controls
Surface Type	Color-Coordinated Porcelain
Window	Extra-Large
Exterior Door Finish	Color-Coordinated
Handle Design	Color-Coordinated
Exterior Finish (Side Panels)	Color-Coordinated
Convection System	
Oven Cleaning System	Self-Clean
Drawer Functionality	

OVEN CONTROLS

Bake	Yes
Broil	Variable
Add-a-Minute	
Delay Start	Yes
Self Clean	2, 3 Hours
Steam Clean	
Delay Clean	Yes
Kitchen Timer	Yes
Timed Cook Option	
Auto Oven Shut-Off	12 Hours

COOKTOP FEATURES

Right Front Element (Watts)	8" - 2,600
Right Rear Element (Watts)	6" - 1,500
Left Front Element (Watts)	6" - 1,500
Left Rear Element (Watts)	8" - 2,600
Center Element (Watts)	
Hot Surface Indicator Light	
Coil Cooktop/Drip Bowls	Yes/Chrome

OVEN FEATURES

Capacity (Cu.Ft.)	4.6
Oven Light	1 Halogen
Hidden Bake Element	
Rack Configuration	2 Handle Racks
Baking System	Even Baking Technology
Broiling System	Vari-Broil™ Hi/Lo
Bake Element / Broil Element (Watts)	2,750/3,400

OPTIONAL ACCESSORIES

Rear Filler Kit - White (W)/ Black (B)	(W) PN# 901193-9011 (B) PN# 901193-9010
Side Panel Kit - White (W)/ Black (B)	(W) PN# 903074-9011 (B) PN# 903074-9010
Backguard Kit - White (W)/Black (B)	(W) PN# 903046-9011 (B) PN# 903046-9010
Side Trim Kit - White (W)/Black (B)	(W) PN# 903076-9011 (B) PN# 903076-9010
Bottom Trim Kit - White (W)/ Black (B)	(W) PN# 903068-9011 (B) PN# 903068-9010

CERTIFICATIONS

A.D.A. Compliant ¹	Yes
-------------------------------	-----

SPECIFICATIONS

Oven Interior (H x W x D)	17-1/2" x 24-1/8" x 18-3/4"
Power Supply Connection Location	Left Bottom Rear
Voltage Rating	240V/208V/60 Hz
Connected Load (kW Rating) @ 240/208 Volts ²	11.6/8.7
Amps @ 120 Volts	32.7/32.1
Minimum Circuit Required (Amps)	40
Shipping Weight (Approx.)	170 Lbs.

¹When properly installed, this model is A.D.A.-qualified based on the United States Access Board's A.D.A./A.B.A. Accessibility Guidelines and the Department of Justice's 2010 A.D.A. Standards for Accessible Design.

²Single phase 3- or 4-wire cable, 120/240 or 120/208 Volt, 60 Hertz AC only electrical supply with ground required on separate circuit fused on both sides of line.

PRODUCT DIMENSIONS

A - Height	26-1/2"
B - Width	30"
C - Depth	28-5/16"
Depth with Door Open 90°	47-9/16"

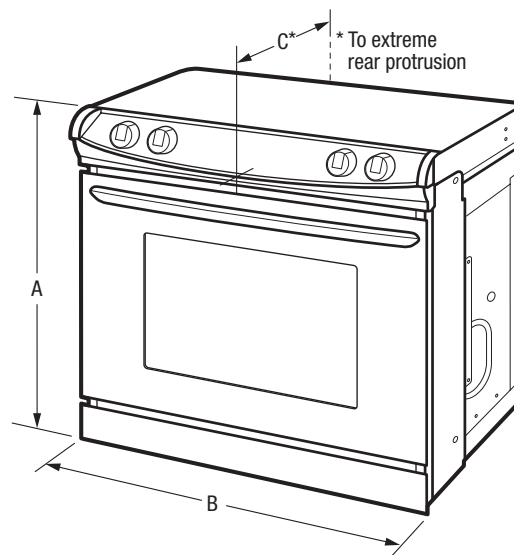
CABINET CUTOUT DIMENSIONS

Height	29"†
Width (Min./Max.)	29-15/16"/30-1/16"*
Depth (Min./Max.)	21-3/4"/22-1/8"***

†27-1/2" min. if additional front cabinet filler panel is required (refer to product installation guide on web for filler panel details).

*Cutout and countertop cutout width should match.

**24" with optional backguard installed.



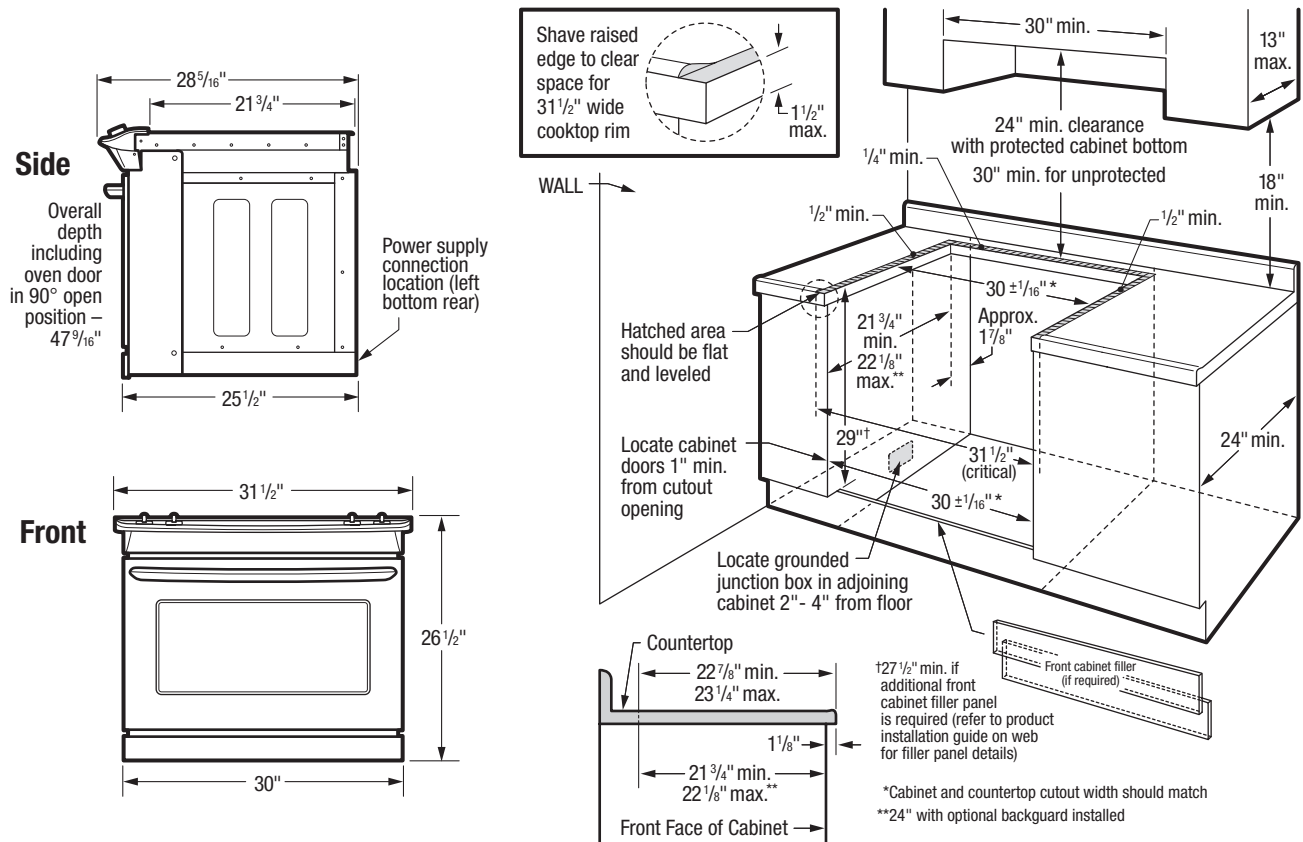
Note: For planning purposes only. Always consult local and national electric, gas and plumbing codes. Refer to Product Installation Guide for detailed installation instructions on the web at frigidare.com.

Specifications subject to change. Accessories information available on the web at frigidare.com

FRIGIDAIRE

USA • 10200 David Taylor Drive • Charlotte, NC 28262 • 1-800-FRIGIDAIRE • frigidare.com
CANADA • 5855 Terry Fox Way • Mississauga, ON L5V 3E4 • 1-800-265-8352 • frigidare.ca

FFED3016T 07/17
© 2017 Electrolux Home Products, Inc.



INSTALLATION SPECIFICATIONS

- Product Shipping Weight (approx.) – 170 Lbs.
- Single phase 3- or 4-wire cable, 120/240 or 120/208 Volt, 60 Hertz, fused on both sides of line with ground. (If local code permits, range may be connected by hard-wiring or by means of power supply cord kit.)
- Connected Load (kW Rating) @ 240/208 Volts = 11.6/8.7 kW
- Amps @ 240/208 Volts = 32.7/32.1 Amps
- Recommended Circuit Breaker – 40 Amps
- Always consult local and national electric codes.
- Make sure wall coverings around range can withstand heat generated by range.
- Linoleum or any other synthetic floor covering located beneath range, must be capable of withstanding minimum heat of 90°F above room temperature without shrinking, warping or discoloring. Insulating pad or 1/4"-thick plywood required between range and a carpeted floor.
- When installing optional Backguard Kit, cutout depth of 21-3/4" minimum/ 22-1/8" maximum needs increased to 24".
- Overhead cabinetry should not exceed a 13" maximum depth.
- Absolute minimum horizontal distance between overhead cabinets installed to either side of appliance must be no less than maximum width of appliance.
- Allow 24" minimum clearance between rangetop and bottom of cabinet when bottom of wood or metal cabinet is protected by not less than 1/4" flame-retardant millboard covered with not less than No. 28 MSG sheet steel, 0.015" stainless steel, 0.024" aluminum or 0.020" copper. Allow 30" minimum clearance when cabinet is unprotected.
- To reduce risk of fire when using overhead cabinetry, install range hood that projects horizontally a recommended minimum of 5" beyond bottom of cabinets

COUNTERTOP PREPARATION

Rangetop's side flanges overlap countertop cutout edges – for detailed preparation instructions, refer to product installation guide on the web.

- Flat Square-Finish Countertops – require no preparation since rangetop's flange lays directly on countertop edge.
- Formed Front-Edged Countertops – require front molded edge to be shaved flat 3/4" from each front corner of opening.
- Tile Countertops – may need trim cut back 3/4" from each front corner of opening and/or rounded edge flattened.
- For existing cutout width greater than 30-1/16" reduce the 3/4" overlap dimension; for cutout width of 29", replace actual side trim panels with smaller side trim panels, available with optional Side Trim Kit (refer to detailed kit installation instructions).

OPTIONAL ACCESSORIES

- Rear Filler Kit: White – (PN# 901193-9011), Black – (PN# 901193-9010).
- Side Panel Kit: White – (PN# 903074-9011), Black – (PN# 903074-9010).
- Backguard Kit: White – (PN# 903046-9011), Black – (PN# 903046-9010).
- Side Trim Kit: White – (PN# 903076-9011), Black – (PN# 903076-9010).
- Bottom Trim Kit: White – (PN# 903068-9011), Black – (PN# 903068-9010).

Note: For planning purposes only. Always consult local and national electric, gas and plumbing codes. Refer to Product Installation Guide for detailed installation instructions on the web at frigidaire.com.

Specifications subject to change. Accessories information available on the web at frigidaire.com

