



Drop-In Ranges

FFED3015P W/B

30" Electric



Product Dimensions

Height	26-1/2"
Width	30"
Depth	28-5/16"

More Easy-To-Use Features

Built with American Pride

Appliances that are high-performing, more accessible, and more innovative than ever — designed, built, and engineered in the U.S.A.

Ready-Select® Controls

Easily control your cooking temperature with our easy-to-use controls.

Oven Rack Handles

Oven racks are designed with space for you to easily pull out the racks, even when wearing an oven mitt.

Delay Clean

Set the oven to begin cleaning on your schedule.

Auto Shut-Off

As an extra safety measure, the oven will automatically shut off after 12 hours.

Delay Start Baking Option

Set your oven to begin cooking on your schedule. It can be programmed from one to 24 hours.

Hi/Lo Broil Options

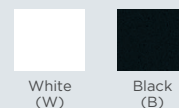
Offers two-position broiling and variable temperature control for more control.

A.D.A. Compliant

When properly installed, this model is A.D.A.-qualified based on the United States Access Board's A.D.A./A.B.A. Accessibility Guidelines and the Department of Justice's 2010 A.D.A. Standards for Accessible Design.



Available in:



Elements	Size	Watts
Right Front	8"	2,600
Right Rear	6"	1,500
Left Front	6"	1,500
Left Rear	8"	2,600

Signature Features

Large Capacity

Our large capacity oven gives you room to cook more at once.

Even Baking Technology

Our even baking technology ensures even baking every time.

One-Touch Self-Clean

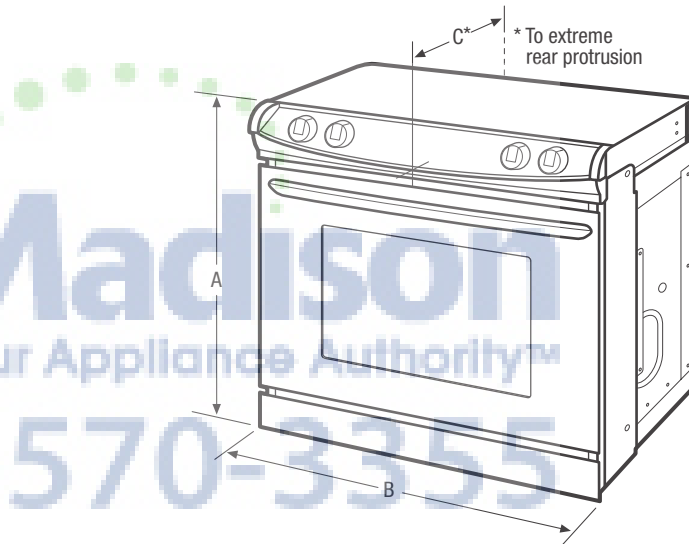
Your oven cleans itself — so you don't have to. Self-clean options available in 2- and 3-hour cycles.

Extra-Large Window

Check on the status of your dish without having to open the oven door.

AjMadison
Your Appliance Authority
800-570-3355

Features	
Oven Control/Timing System	Ready-Select® Controls
Surface Type	Color-Coordinated Porcelain
Window	Extra-Large
Exterior Door Finish	Color-Coordinated
Handle Design	Color-Coordinated
Exterior Finish (Side Panels)	Color-Coordinated
Convection System	
Oven Cleaning System	Self-Clean
Drawer Functionality	
Oven Controls	
Bake	Yes
Broil	Low and High
Add-a-Minute	
Delay Start	Yes
Self-Clean/Clean Options	Yes/2, 3 Hours
Steam Clean	
Delay Clean	2, 3 Hours
Kitchen Timer	Yes
Timed Cook Option	Yes
Auto Oven Shut-Off	12 Hours
Cooktop Features	
Right Front Element (Watts)	8" - 2,600
Right Rear Element (Watts)	6" - 1,500
Left Front Element (Watts)	6" - 1,500
Left Rear Element (Watts)	8" - 2,600
Center Element (Watts)	
Hot Surface Indicator Light	
Coil Cooktop/Drip Bowls	Yes/Chrome
Oven Features	
Capacity (Cu. Ft.)	4.6
Oven Light	1 Halogen
Hidden Bake Element	
Rack Configuration	2 Handle Racks
Baking System	Even Baking Technology
Broiling System	Vari-Broil™ Hi/Lo
Bake Element/Broil Element (Watts)	2,750 / 3,400
Optional Accessories	
Rear Filler Kit - White (W) / Black (B)	(W) PN # 901193-9011 (B) PN # 901193-9010
Side Panel Kit - White (W) / Black (B)	
Backguard Kit - White (W) / Black (B)	(W) PN # 903046-9011 (B) PN # 903046-9010
Side Trim Kit - White (W) / Black (B)	(W) PN # 903076-9011 (B) PN # 903076-9010
Bottom Trim Kit - White (W) / Black (B)	(W) PN # 903068-9011 (B) PN # 903068-9010
Certifications	
A.D.A. Compliant ¹	Yes
Specifications	
Oven Interior (H x W x D)	17-1/2" x 24-1/8" x 18-3/4"
Power Supply Connection Location	Left Bottom Rear
Voltage Rating	240V / 208V / 60 Hz
Connected Load (kW Rating) @ 240/208 Volts ²	11.6 / 8.7
Amps @ 240/208 Volts	48.3 / 41.8
Minimum Circuit Required (Amps)	40
Shipping Weight (Approx.)	170 Lbs.



NOTE: For planning purposes only. Always consult local and national electric codes. Refer to Product Installation Guide for detailed installation instructions on the web at frigidaire.com.



Product Dimensions	
A - Height	26-1/2"
B - Width	30"
C - Depth	28-5/16"
Depth with Door Open 90°	47-9/16"

Cutout Dimensions	
Height	29"†
Width (Min./Max.)	29-15/16" / 30-1/16" **
Depth (Min./Max.)	21-3/4" / 22-1/8" **

†27-1/2" min. if additional front cabinet filler panel is required (refer to product installation guide on web for filler panel details).

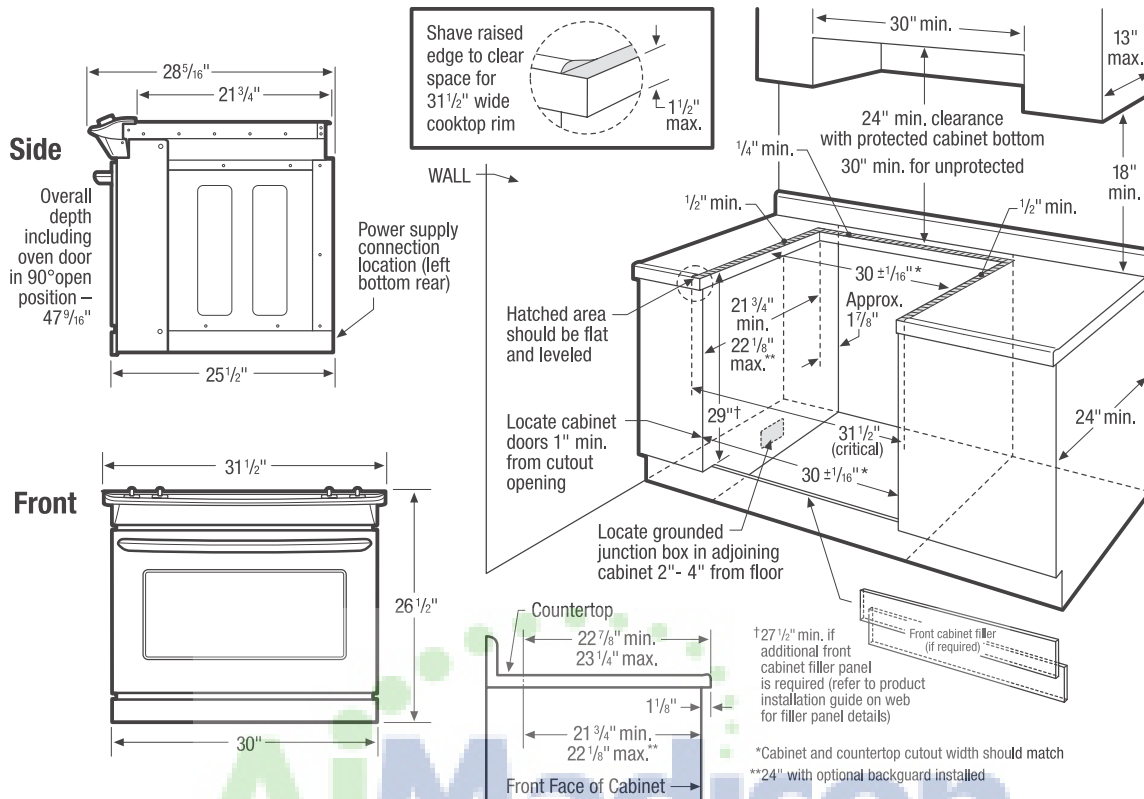
*Cutout and countertop cutout width should match.

** 24" with optional backguard installed.

¹When properly installed, this model is A.D.A.-qualified based on the United States Access Board's A.D.A./A.B.A. Accessibility Guidelines and the Department of Justice's 2010 A.D.A. Standards for Accessible Design.

²Single phase 3- or 4-wire cable, 120/240 or 120/208 Volt, 60 Hertz AC only electrical supply with ground required on separate circuit fused on both sides of line.

Accessories information available on the web at frigidaire.com



Drop-In Range Specifications

- Product Shipping Weight (approx.) - 170 Lbs.
- Single phase 3- or 4-wire cable, 120/240 or 120/208 Volt, 60 Hertz, fused on both sides of line with ground. (If local code permits, range may be connected by hard-wiring or by means of power supply cord kit.)
- Connected Load (kW Rating) @ 240/208 Volts = 11.6/8.7 kW
- Amps @ 240/208 Volts = 48.3/41.8 Amps
- Recommended Circuit Breaker - 50 Amps (40 Amps minimum)
- Always consult local and national electric codes.
- Make sure wall coverings around range can withstand heat generated by range.
- Linoleum or any other synthetic floor covering located beneath range, must be capable of withstanding minimum heat of 90°F above room temperature without shrinking, warping or discoloring. Insulating pad or 1/4"-thick plywood required between range and a carpeted floor.
- When installing optional Backguard Kit, cutout depth of 21-3/4" minimum/22-1/8" maximum needs increased to 24".
- Overhead cabinetry should not exceed a 13" maximum depth.
- Absolute minimum horizontal distance between overhead cabinets installed to either side of appliance must be no less than maximum width of appliance.
- Allow 24" minimum clearance between rangetop and bottom of cabinet when bottom of wood or metal cabinet is protected by not less than 1/4" flame-retardant millboard covered with not less than No. 28 MSG sheet steel, 0.015" stainless steel, 0.024" aluminum or 0.020" copper. Allow 30" minimum clearance when cabinet is unprotected.
- To reduce risk of fire when using overhead cabinetry, install range hood that projects horizontally a recommended minimum of 5" beyond bottom of cabinets.

Countertop Preparation

Rangetop's side flanges overlap countertop cutout edges - for detailed preparation instructions, refer to product installation guide on the web.

- **Flat Square-Finish Countertops** - require no preparation since rangetop's flange lays directly on countertop edge.
- **Formed Front-Edged Countertops** - require front molded edge to be shaved flat 3/4" from each front corner of opening.
- **Tile Countertops** - may need trim cut back 3/4" from each front corner of opening and/or rounded edge flattened.
- For existing cutout width greater than 30-1/16" reduce the 3/4" overlap dimension; for cutout width of 29", replace actual side trim panels with smaller side trim panels, available with optional Side Trim Kit (refer to detailed kit installation instructions).

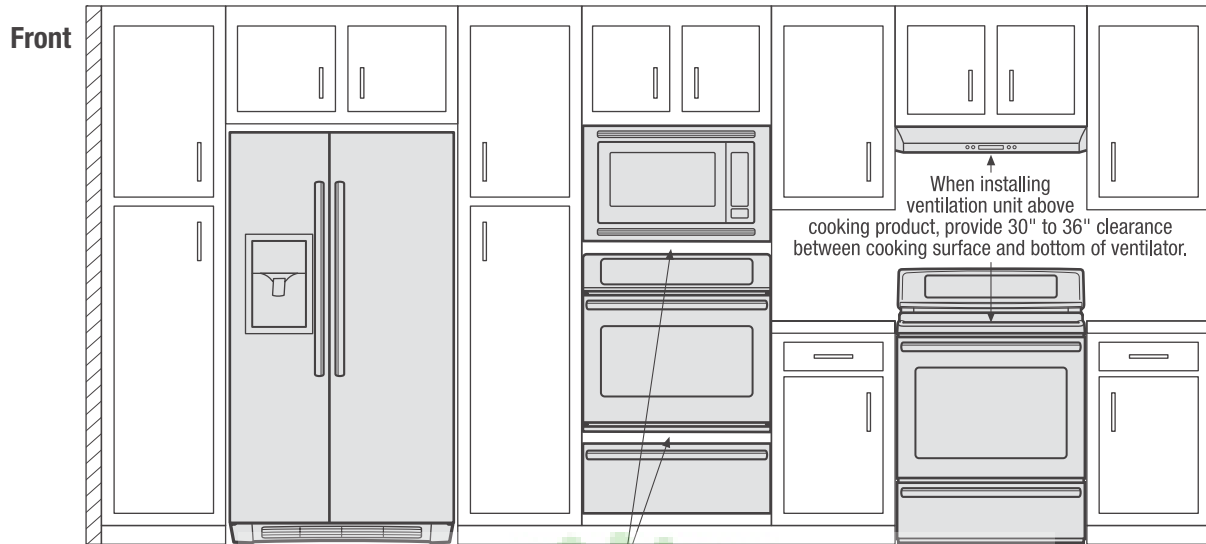
Note: For planning purposes only. Refer to Product Installation Guide on the web at frigidaire.com for detailed instructions.

Optional Accessories

- Rear Filler Kit: White - (PN# 901193-9011), Black - (PN# 901193-9010).
- Backguard Kit: White - (PN# 903046-9011), Black - (PN# 903046-9010).
- Side Trim Kit: White - (PN# 903076-9011), Black - (PN# 903076-9010).
- Bottom Trim Kit: White - (PN# 903068-9011), Black - (PN# 903068-9010).

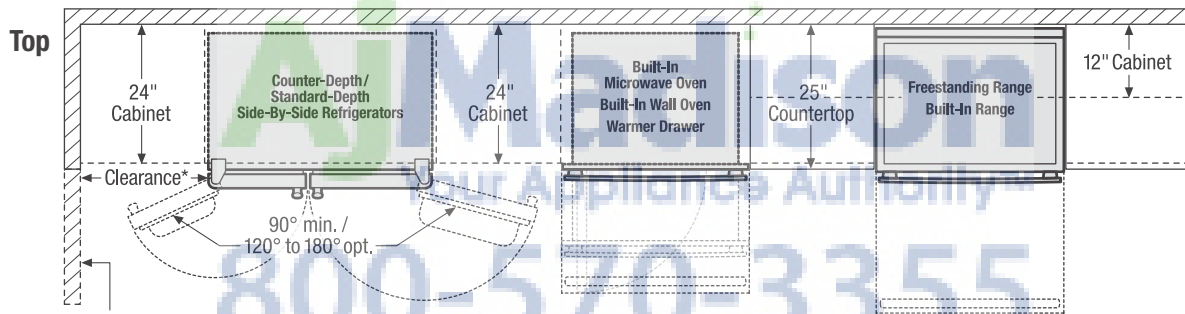


Use these dimensions and clearance instructions for planning purposes only. For detailed installation instructions, refer to installation guide, packed with product, or on the web at frigidaire.com.



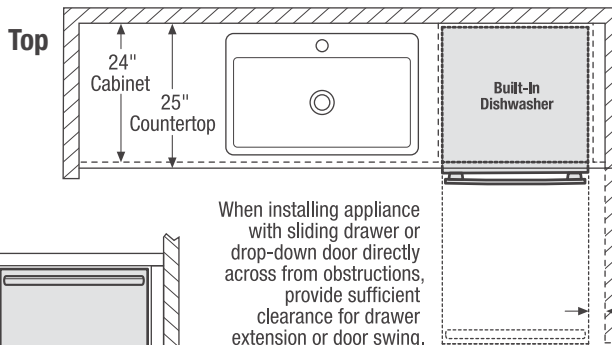
When installing built-in cooking appliances in combination, 2"-high minimum visible gap between appliance faceplates required.

Clearance information for cooking appliances, provided in specific product's installation guide.



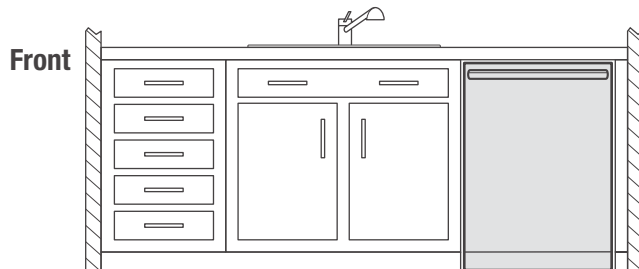
*When installing side-by-side refrigerator adjacent to wall, cabinet or another appliance that extends beyond front edge of unit, 20" minimum clearance recommended to allow for optimum 120° to 180° door swing, providing complete drawer/crisper access and removal. (Absolute 4-1/2" minimum clearance will ONLY allow for 90° door swing which will provide limited drawer/crisper access with restricted removal.)

When installing appliance with sliding drawer, swinging or drop-down door directly across from obstructions, provide sufficient clearance for drawer extension or door swings.

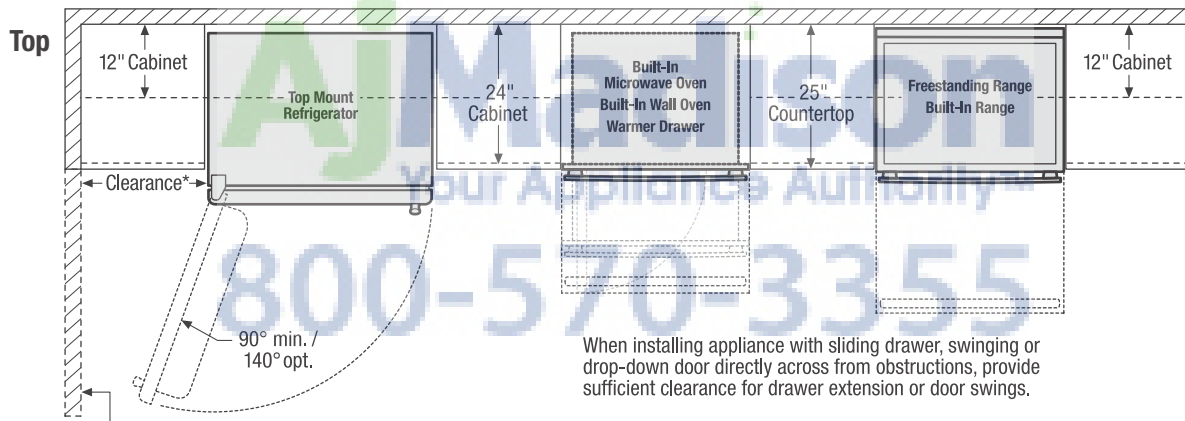
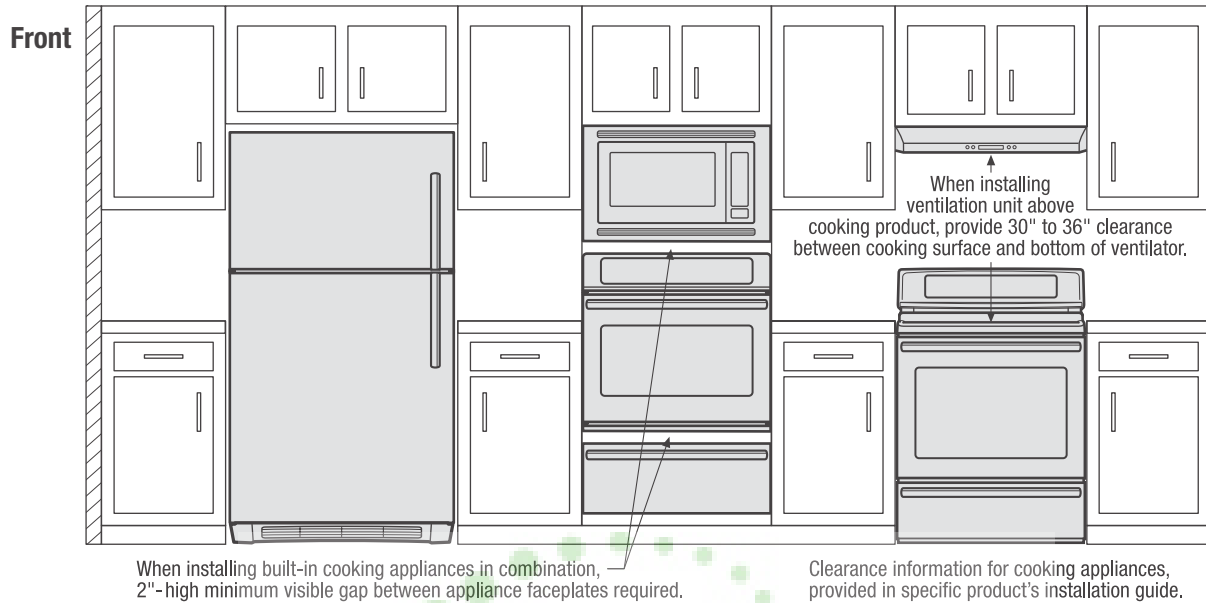


When installing appliance with sliding drawer or drop-down door adjacent to wall, cabinet, or other obstruction that extends beyond front edge of appliance, allow 2" minimum clearance between drawer or door and obstruction.

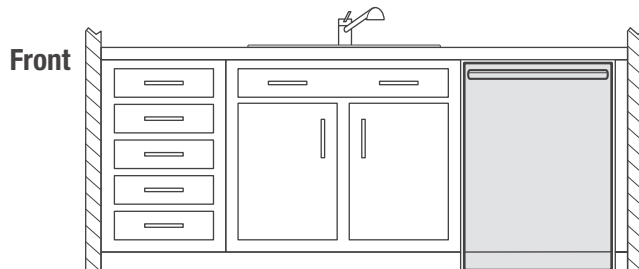
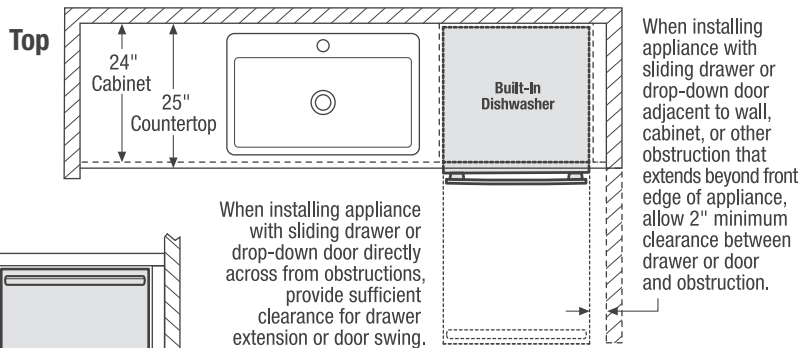
When installing appliance with sliding drawer or drop-down door directly across from obstructions, provide sufficient clearance for drawer extension or door swing.



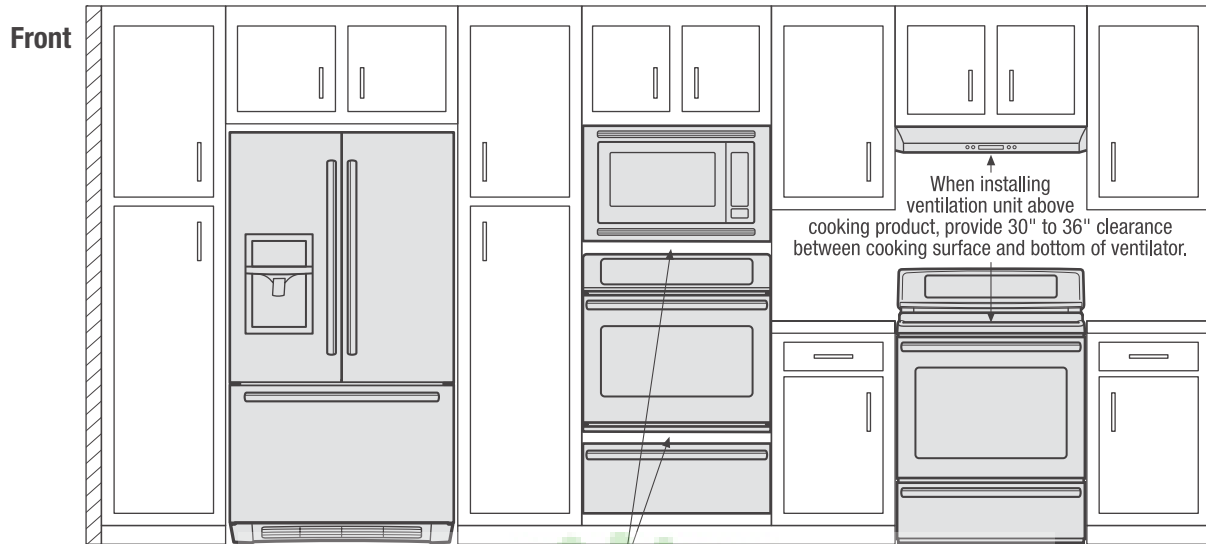
Use these dimensions and clearance instructions for planning purposes only. For detailed installation instructions, refer to installation guide, packed with product, or on the web at frigidaire.com.



*When installing top mount refrigerator adjacent to wall, cabinet or other appliance that extends beyond front edge of unit, 20" minimum clearance recommended to allow for optimum 140° door swing, providing complete crisper access and removal. (Absolute 3" minimum clearance will ONLY allow for 90° door swing which will provide limited crisper access with restricted removal.)

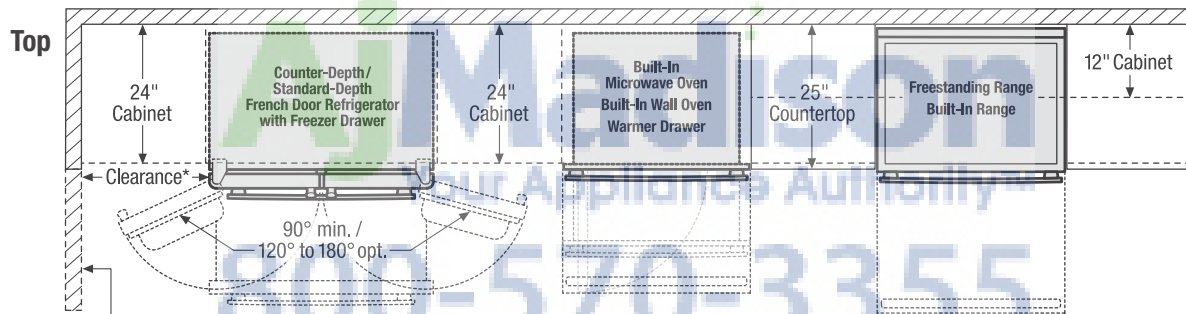


Use these dimensions and clearance instructions for planning purposes only. For detailed installation instructions, refer to installation guide, packed with product, or on the web at frigidaire.com.



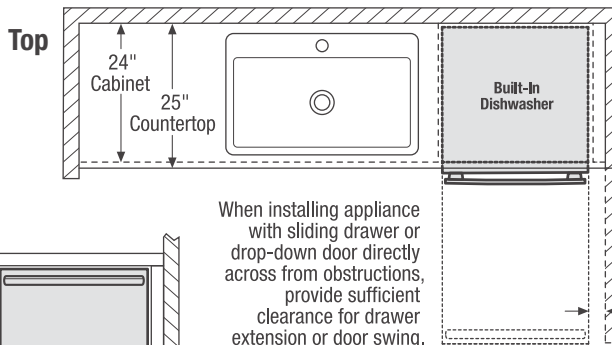
When installing built-in cooking appliances in combination, 2"-high minimum visible gap between appliance faceplates required.

Clearance information for cooking appliances, provided in specific product's installation guide.



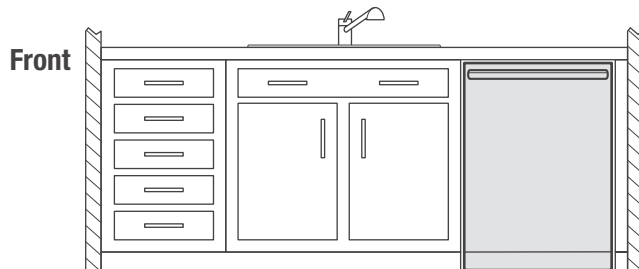
*When installing French door refrigerator adjacent to wall, cabinet or another appliance that extends beyond front edge of unit, 20" minimum clearance recommended to allow for optimum 120° to 180° door swing, providing complete drawer/crisper access and removal. (Absolute 4-1/2" minimum clearance will ONLY allow for 90° door swing which will provide limited drawer/crisper access with restricted removal.)

When installing appliance with sliding drawer, swinging or drop-down door directly across from obstructions, provide sufficient clearance for drawer extension or door swings.



When installing appliance with sliding drawer or drop-down door adjacent to wall, cabinet, or other obstruction that extends beyond front edge of appliance, allow 2" minimum clearance between drawer or door and obstruction.

When installing appliance with sliding drawer or drop-down door directly across from obstructions, provide sufficient clearance for drawer extension or door swing.



Use these dimensions and clearance instructions for planning purposes only. For detailed installation instructions, refer to installation guide, packed with product, or on the web at frigidaire.com.

