

FF64BSS

34.0" x 23.63" x 23.5" (H x W x D)

Built-in undercounter all-refrigerator for residential or commercial use, frost-free w/stainless steel door, black cabinet, lock, and digital thermostat

Highlights:

Flexible design allows built-in or freestanding use in 24" wide spaces

Stainless steel door offers a professional look

Recessed LED lighting offers attractive presentation of stored products

Factory installed lock provides security you can count on

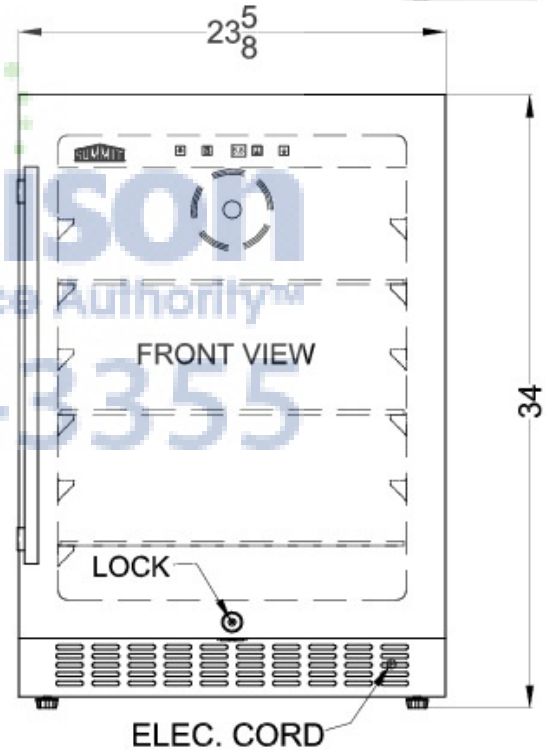
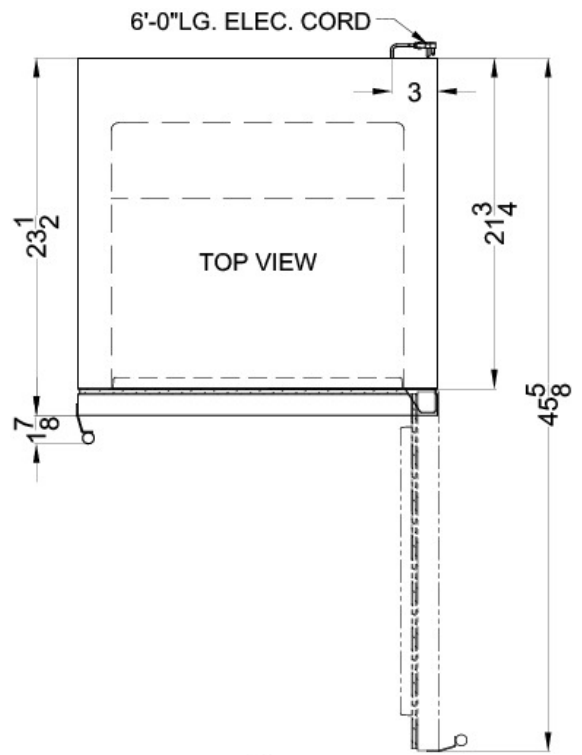


AjMadison
Your Appliance Authority
800-570-3355

Built-in capable	Front-breathing design lets you make the best use of space by installing your appliance under the counter
Stainless steel door	Durable construction with a professional look
Factory installed lock	Keyed lock for a secure interior
Professional handle	Includes a full-length pro handle in chrome
Frost-free operation	No-frost operation for minimum user maintenance
Digital thermostat	Electronic controls located inside the unit for precise temperature management
Recessed LED light	Elegant lighting with a convenient on/off switch on the control panel
Adjustable glass shelves	Rearrange refrigerator space to accommodate all sizes or remove shelves for simple cleanup
Bottle slots	Floor is specially slotted to store wine and other bottles safely in place
Internal fan	Fan-forced cooling ensures the unit is evenly cooled from top to bottom

FF64BSS Specifications:

Height	34.0"
Width	23.63"
Depth	23.5"
Capacity	4.6 cu.ft.
Ext Depth with Handle	25.38"
Interior Height 1	24.0"
Interior Width 1	19.25"
Interior Depth 1	16.0"
Shipping Weight	105.0 lbs.
Weight	95.0 lbs.
Energy Usage/Year	250.0 kWh/year
US Electrical Safety	ETL
Voltage/Frequency	115 V AC/60 Hz
Amps	0.8
Canadian Electrical Safety	ETL-C
Reversible	Yes
Door Swing	RHD
Shelf Quantity	3
Adjustable Shelf	true
Shelf Type	Glass
Defrost Type	Frost-Free
Depth with door at 90°	45.63"
Fan Type	Interior and Exterior
Light	true
Thermostat Type	Digital
High Side PSI	270.0
Refrigerant Type	R600a
Low Side PSI	105.0
Freon Oz	0.99
Compressor Warranty	5 Years
Parts/Labor Warranty	1 Year
Sanitation	ETL-S



AjMadison
Your Appliance Authority™
800-570-8355

Summit Appliance Division, Felix Storch, Inc.
770 Garrison Ave • Bronx, NY 10474
Phone: 718-893-3900 • Fax: 718-842-3093
Email: info@summitappliance.com