



FF63BBIDTPUB



33.25" x 23.63" x 23" (H x W x D)

Built-in undercounter craft beer Pub Cellar in black with digital thermostat and deluxe interior

Highlights:

Digital thermostat lets you manage the temperature from 41° to 65°F to best accommodate beer

Flexible design allows built-in or freestanding use in 24" spaces

Perfect for storing or aging craft beer for long-term use

Deluxe interior with glass shelves, door storage, and a scalloped wine shelf

Product Features:

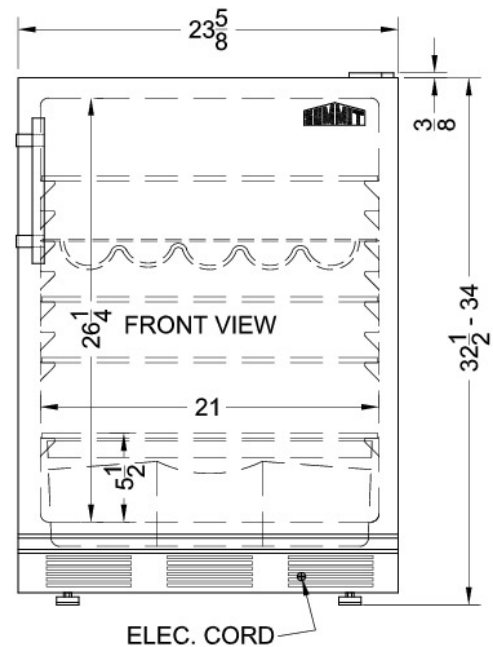
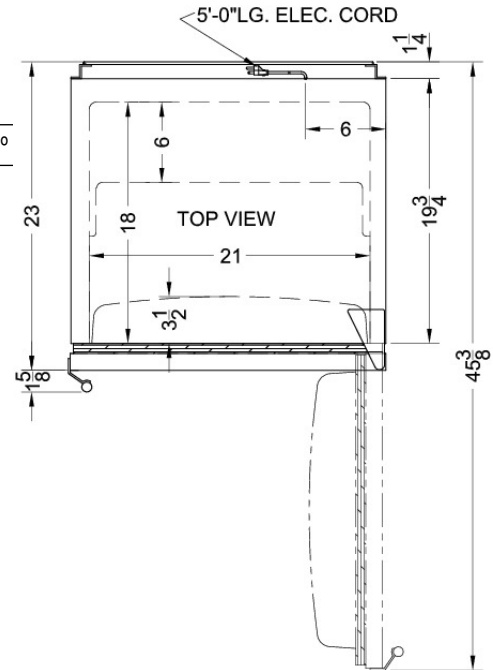
| | |
|---------------------------------|---------------------------------------------------------------------------------------------------------------------------|
| Built-in capable | Make the best use of space by installing your appliance under the counter and flush with other cabinets |
| Slim undercounter dimensions | Our unique 24" wide models offer full capacity in a slim fit |
| Designed for craft beer storage | Wide range temperature control lets you manage the interior between 41° and 65°F for optimum storage of all types of beer |
| Digital thermostat | Exterior thermostat located in kickplate lets you manage the temperature without opening the door |
| Automatic defrost | Reduced maintenance with auto defrost system |
| Adjustable glass shelves | Rearrange your refrigerator space to accommodate all shapes and sizes or remove shelves for a simple clean-up |
| Door storage | Store tall bottles and condiments right on the door for convenient access |
| Scalloped bottle shelf | Removable scalloped shelf is included to hold larger bottles in a horizontal configuration |
| Removable crisper | Lower crisper offers additional storage options |



FF63BBIDTPUB Specifications:

| Overview | |
|----------------------------|---------------------|
| Height | 33.25" |
| Width | 23.63" |
| Depth | 23.0" |
| Depth with Handle | 24.63" |
| Depth with door at 90° | 45.38" |
| Capacity | 5.5 cu.ft. |
| Defrost Type | Automatic |
| Door | Black |
| Cabinet | Black |
| US Electrical Safety | UL |
| Canadian Electrical Safety | ULC |
| Energy Usage/Year | 307.0kWh/year |
| Amps | 1.0 |
| Shipping Weight | 104.0 lbs. |
| Parts & Labor Warranty | 1 Year |
| Compressor Warranty | 5 Years |
| Wine Cellar | |
| Number of Zones | 1 |
| Door Swing | RHD |
| Reversible | Yes |
| Adjustable Shelves | Yes |
| Shelf Type | Glass and Scalloped |
| Shelf Qty | 3 |
| Thermostat Type | Digital |
| Interior Light | Yes |
| Fan Type | Exterior |
| Refrigerant Amount | 1.7 oz. |
| High Side PSI | 285.0 |
| Low Side PSI | 70.0 |
| Interior Height 1 | 26.25" |
| Interior Width 1 | 21.0" |
| Interior Depth 1 | 18.0" |
| Compressor Step Height | 5.5" |
| Compressor Step Width | 21.0" |
| Compressor Step Depth | 6.0" |

Level Legs
Temperature Range 41°



SUMMIT APPLIANCE DIVISION FELIX STORCH, INC.

770 Garrison Avenue, Bronx, NY 10474 USA TEL 718-893-3900 FAX 844-478-8799 info@summitappliance.com www.summitappliance.com