



# FF412ESSTBADA



32" x 18.75" x 20.25" (H x W x D)

ENERGY STAR qualified auto defrost refrigerator-freezer with ADA compliant counter height; white cabinet with stainless steel door and towel bar handle

### Highlights:

32" height for use in ADA compliant settings

ENERGY STAR qualified with a more efficient system for lower energy use

Stainless steel door with curved towel bar handle for added luxury

Save time and energy with automatic defrost

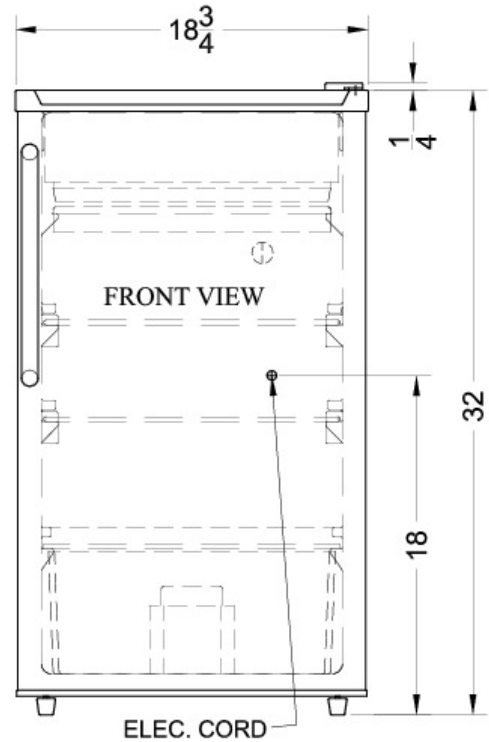
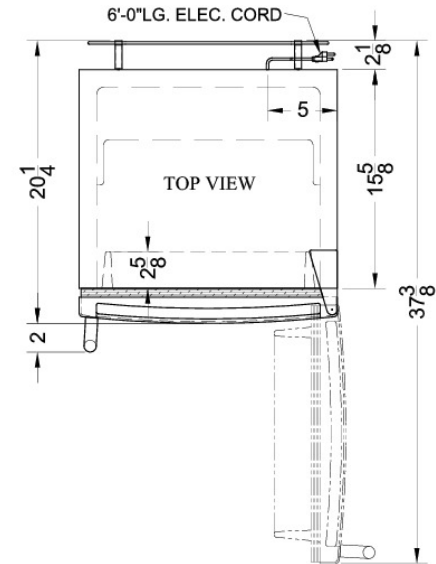
### Product Features:

ADA Compliant	32 inch height is designed to meet ADA guidelines for lower counter height
ENERGY STAR Qualified	Rated by the DOE to perform with more efficiency than standards require
Automatic defrost	No-frost system simplifies maintenance in both refrigerator and freezer
Fully finished white cabinet	Allows the unit to be used freestanding
Stainless steel wrapped door	Durable construction with a professional look
Professional towel bar handle	A curved handle in brushed stainless steel provides generous room for a comfortable grip
Adjustable shelves	Rearrange the refrigerator space to fit any sized item or remove shelves for simple cleanup
Crisper drawer	Get the longest life and best taste out of produce by storing greens in lower slide drawer
Door shelves	Store tall bottles and condiments right on the door for convenient access



## FF412ESSSTBADA Specifications:

Overview	
Height	32.0"
Height to Hinge Cap	32.5"
Width	18.75"
Depth	20.25"
Capacity	3.6 cu.ft.
Defrost Type	Automatic
Door	Stainless Steel
Cabinet	White
US Electrical Safety	UL
Canadian Electrical Safety	ULC
Energy Usage/Year	262.0kWh/year
Amps	0.8
Voltage/Frequency	115 V AC/60 Hz
Shipping Weight	95.0 lbs.
Parts & Labor Warranty	1 Year
Compressor Warranty	5 Years
Refrigerator-Freezer	
Door Swing	RHD
Reversible	Factory Reversible
Crisper Qty	1
Crisper Finish	Transparent
Crisper Cover	Glass
Refrigerator - Shelf Type	Wire
Refrigerator - Shelf Qty	2
Refrigerator - Full Door Shelves	3
Adjustable Shelves	Yes
Thermostat Type	Dial
Freon	R134a
Freon Amount	2.5
High Side PSI	235.0
Low Side PSI	140.0
Level Legs	2



SUMMIT APPLIANCE DIVISION FELIX STORCH, INC.

770 Garrison Avenue, Bronx, NY 10474 USA TEL 718-893-3900 FAX 844-478-8799

info@summitappliance.com

www.summitappliance.com